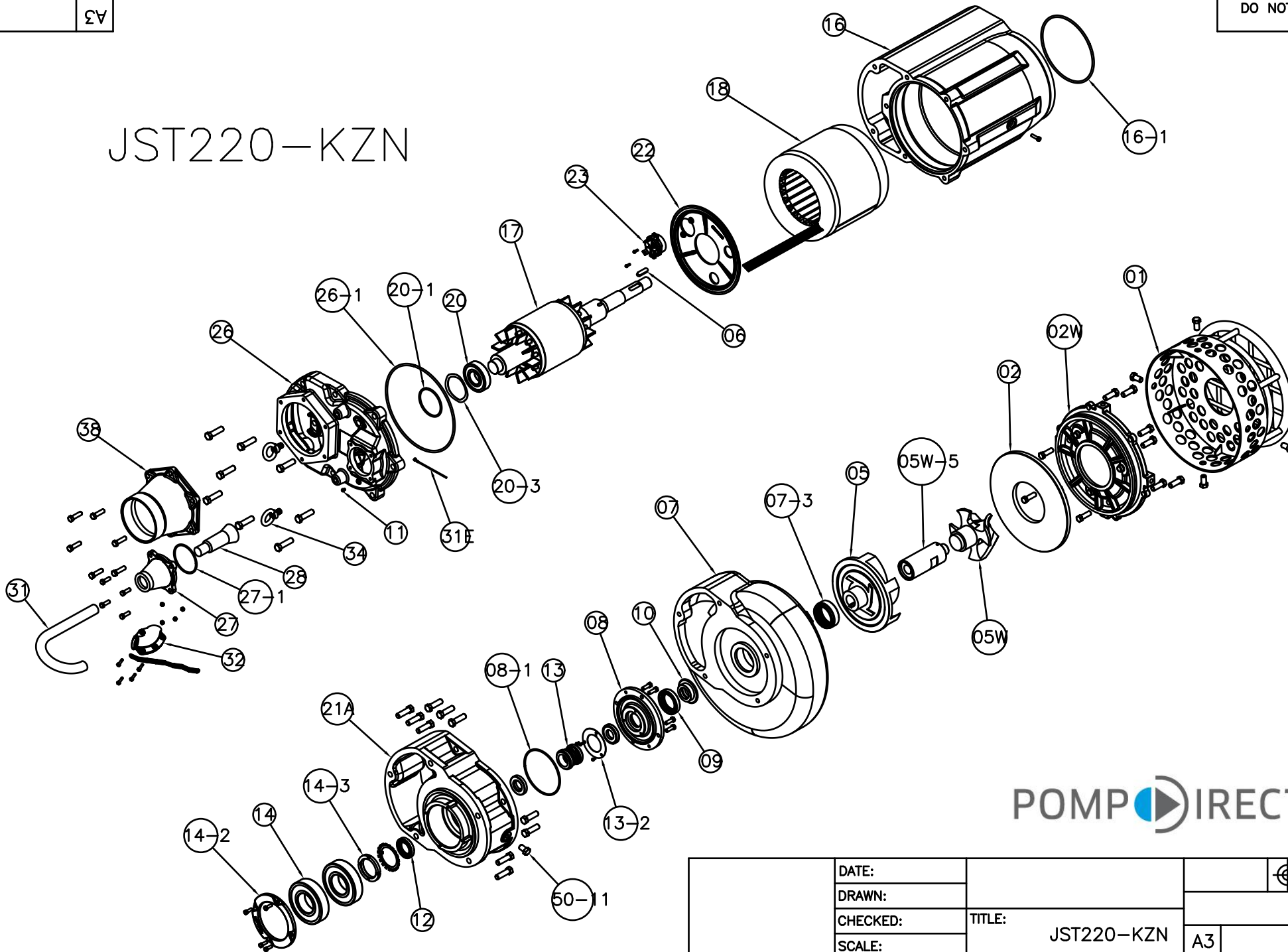


# JST220-KZN



## POMPDIRECT

DATE:		
DRAWN:		
CHECKED:	TITLE: JST220-KZN	
SCALE:	A3	

PARTS FOR MODELS:		JST220KZ(N)				
NO.	Description	Code Number	Materials	Notes,Standards	Q'TY	EURO/Pce
JST220KZ(01)	Strainer	010007	ST	ϕ 425	1	
JST220KZN(01)	Strainer	010008	ST	ϕ 425	1	
JST220KZN(02)	Suction cover	020004	HICR	ϕ 353	1	
JST220KZN(02W)	Suction cover holder	021005	FC 200	ϕ 359*52L	1	
JST220KZN(04)	Washer	322004	SUS 304	M36	1	
JST220KZN(05)	Impeller	050019	HICR	ϕ 296* ϕ 34*4P(60HZ)	1	
JST220KZN(05)	Impeller	050009	HICR	ϕ 340* ϕ 34*4P(50HZ)	1	
JST220KZN(05W)	Agitator	051003	HICR	M36	1	
JST220KZ(05W-5)	Spindle agitator(with kz)	051501	S45C	M36*185	1	
JST220KZN(05W-5)	Spindle agitator(with kz)	051502	S45C	M36*155	1	
JST220KZN(06)	Key	322006	SUS 304	12*8*45	1	
JST220KZN(07)	Pump housing	070004	FCD 700	JST22007-KZ	1	
JST220KZN(07-3)	Pump housing sleeve	073003	SKD11	ϕ 70.5* ϕ 90*30L	1	
JST220KZN(08)	Cover of oil chamber	080003	FC 200	ϕ 169.9	1	
JST220KZN(09)	Lip seal	090003	NBR	TC 60*85*12	1	
JST220KZN(10)	Shaft sleeve	100003	SKD11	ϕ 40* ϕ 60*24L	1	
JST220KZN(11)	Plugs	104011	SUS 304	M6*8	1	
JST220KZN(12)	Lip seal	120002	NBR	TC 50*70*12	1	
JST220KZN(13)	Mechanical seal	32201301	SIC/SIC	ϕ 45*2	2	
JST220KZN(14)	Bearing (bottom)	140003		6314*2 DBLLB	2	
JST220KZN(14-2)	Bearing cover	142003	FC 200	ϕ 170	1	
JST220KZN(14-3)	Nuts with rolling bearing	143001	ST		1	
JST220KZN(16)	Motor casing	160004	FC 200	JST22016-KZ	1	
JST220KZN(17)	Rotor shaft	170006	SUS 304	195*180	1	
JST220KZN(18)	Stator	180006	50HZ	ϕ 310*195*180	1	
JST220KZN(20)	Bearing (up)	200002		6309LLB	1	
JST220KZN(20-3)	Washer roofing	203002	K7		1	
JST220KZN(21A)	Motor bottom cover	211003	FC 200	JST22021A-KZ	1	
JST220KZN(22)	Separator board	220001	AL	ϕ 314.5*15	1	
JST220KZN(23)	Overload protector	230004		KA316-NEBLOO	1	
JST220KZN(26)	Upper cover	260003	FC 200	JST22026-KZ	1	
JST220KZN(27)	Cable gland	30222702	FC 200	JS-27	1	
JST220KZN(28)	Rubber sleeve	280003	NBR	ϕ 32mm	1	
JST220KZN(31)	Cable	310002		3PNCT 22 <sup>2</sup> *4*10M	1	
JST220KZN(31D)	Sensor	311004	CU	120mm	1	
JST220KZN(32)	Cable Clamps	320006	SUS 316+NBR		1	
JST220KZN(34)	Handle	340002	ST	M16	2	
JST220KZN(38)	Discharge outlet	380003	FC 200	JST22038-KZ-8"	1	
JST220KZN(08-1)	Oring	081003	NBR	ϕ 165*4	1	
JST220KZN(16-1)	Oring	161003	NBR	ϕ 235*6	1	
JST220KZN(20-1)	Oring	201002	NBR	ϕ 110*4	1	
JST220KZN(26-1)	Oring	261003	NBR	ϕ 310*5.7	1	
JST220KZN(27-1)	Oring	271002	NBR	ϕ 100*4	1	
JST220KZ(50-01)	Screw	500011	SUS 304	M16*30	4	
JST220KZN(50-01)	Screw	500011	SUS 304	M16*30	4	
JST220KZN(50-02)	Screw	500010	SUS 304	M14*45	3	
JST220KZN(50-02)	Screw	500012	SUS 304	M16*45	6	
JST220KZN(50-08)	Screw	500002	SUS 304	M10*30	4	
JST220KZN(50-11)	Plugs (With 16)	500015	SUS 304	M16*25	1	
JST220KZN(50-13)	Screw	500016	ST	M5*10	3	
JST220KZN(50-14)	Screw	500001	SUS 304	M8*25	4	
JST220KZN(50-16)	Screw	107550-21A	SUS 304	M8*30	1	
JST220KZN(50-21)	Screw	500013	SUS 304	M16*55	5	
JST220KZN(50-21)	Screw	500013	SUS 304	M16*55	5	
JST220KZN(50-23)	Screw	500017	SUS 304	M5*15	2	
JST220KZN(50-26)	Screw	500014	SUS 304	M16*60	8	
JST220KZN(50-27)	Screw	500002	SUS 304	M10*30	4	
JST220KZN(50-31)	Screw	101050-31E	ST	M4*6	1	
JST220KZN(50-32)	Screw	500034	SUS 304	M6*30/M6	4/4	
JST220KZN(50-38)	Screw	500008	SUS 304	M12*45	6	

PS: MODEL:JST220KZ=CHANGE FROM "01N" TO "01" ONLY