

DLC SERIES DIMENSIONS AND WEIGHTS



ITT

POMPOIRECT

DLC 65 SERIES (DN65) DS4 DIMENSIONS AND WEIGHTS

DN65 - 2 1/2"

-DIN 2501 - 10/16 bar

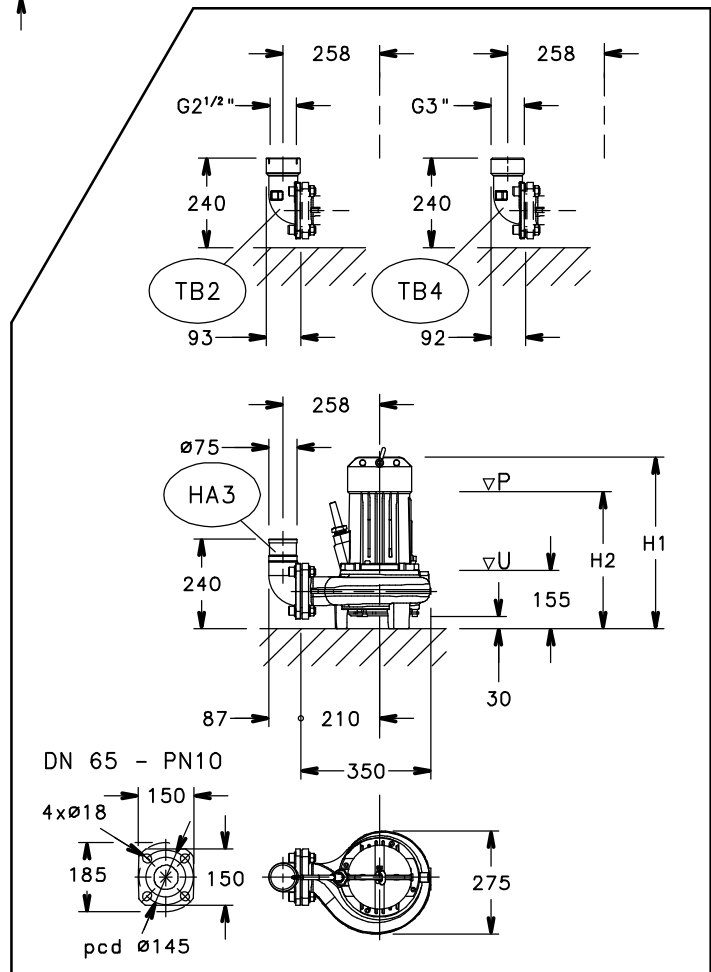
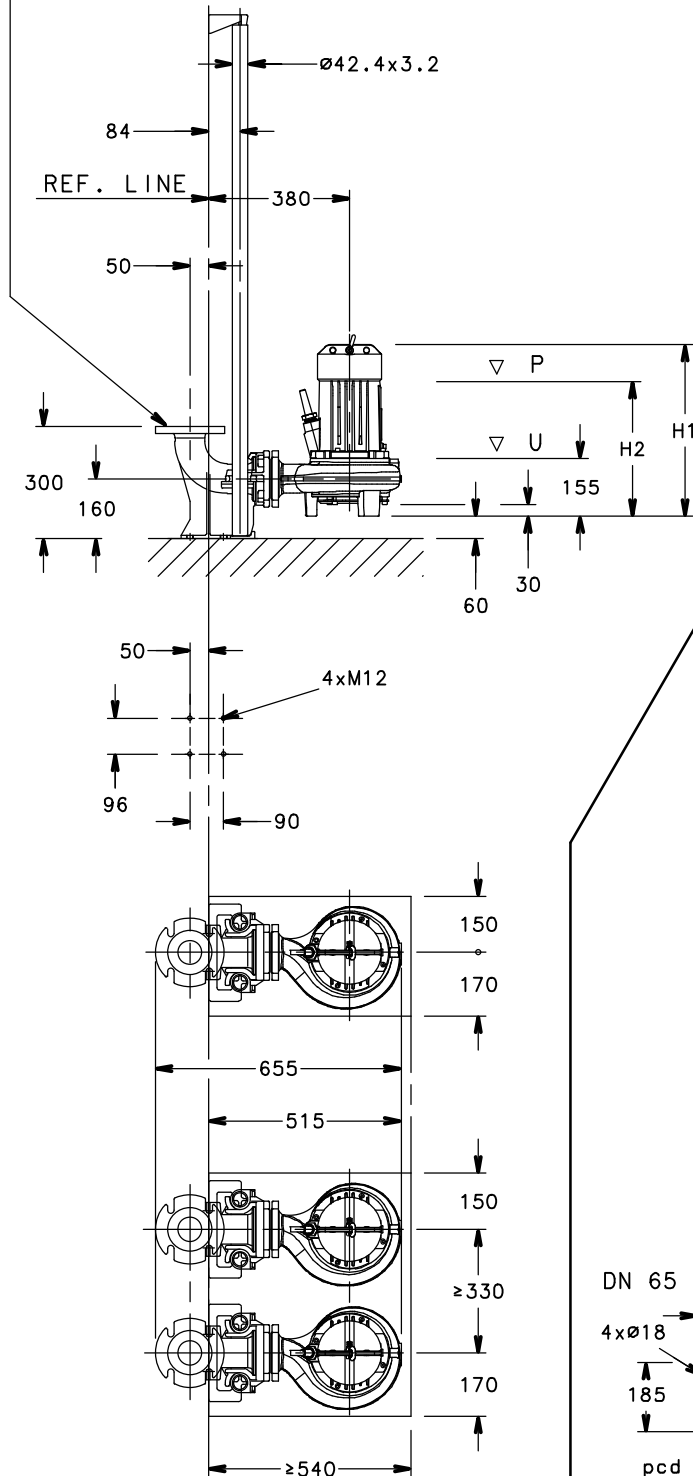
-BS 4504 - 10/16 bar

-JIS B 2210 - 10K

-ANSI B16.5 - 150 lbs

PUMP TYPE	DIMENSIONS (mm)		WEIGHT kg
	H1	H2	
DLCM 65-15	460	365	51
DLCM 65-21	460	365	51
DLC 65-15	460	365	51
DLC 65-21	460	365	51
DLC 65-28	460	365	51
DLC 65-35	460	365	51
DLC 65-39	460	365	51
DLC 65-51	460	365	51
DLC4M 65-09	435	345	46
DLC4 65-09	435	345	44
DLC4 65-15	460	365	44

DLC65-2-4p50-en_a_td



02500_C_DD

P = Minimum liquid level for continuous operation.
U = Minimum operating level to prevent air entrance into pump.



ITT

POMPOIRECT

DLC 66 SERIES (DN50) DS1 DIMENSIONS AND WEIGHTS

DN50 - 2"

-DIN 2501 - 10/16 bar

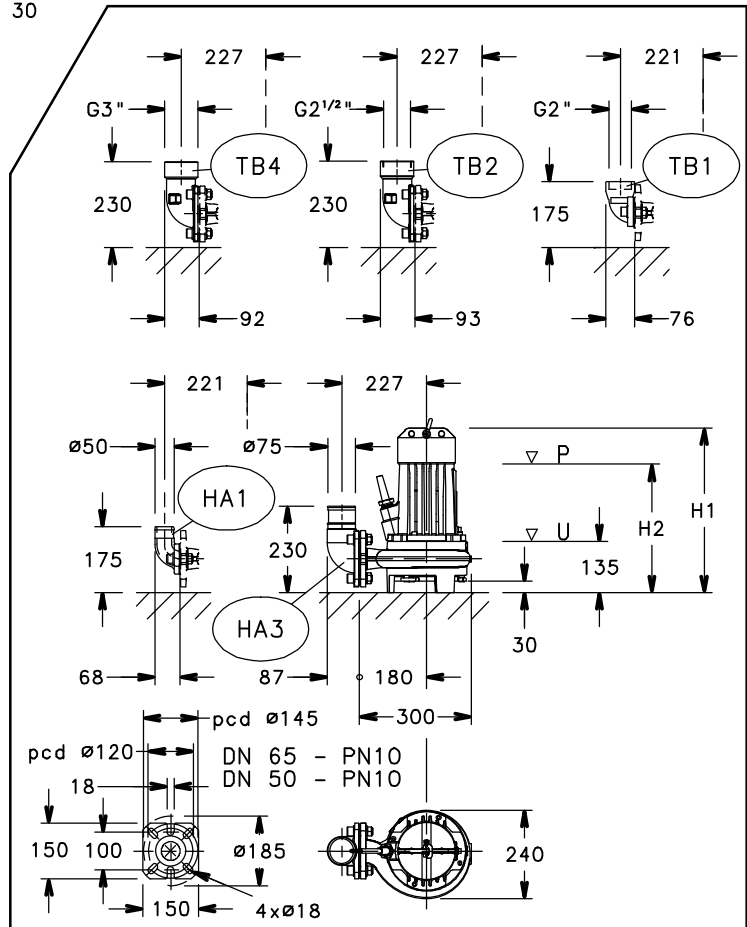
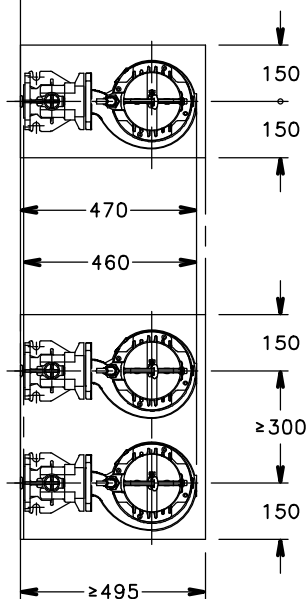
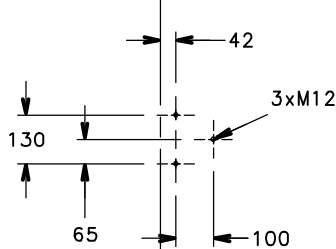
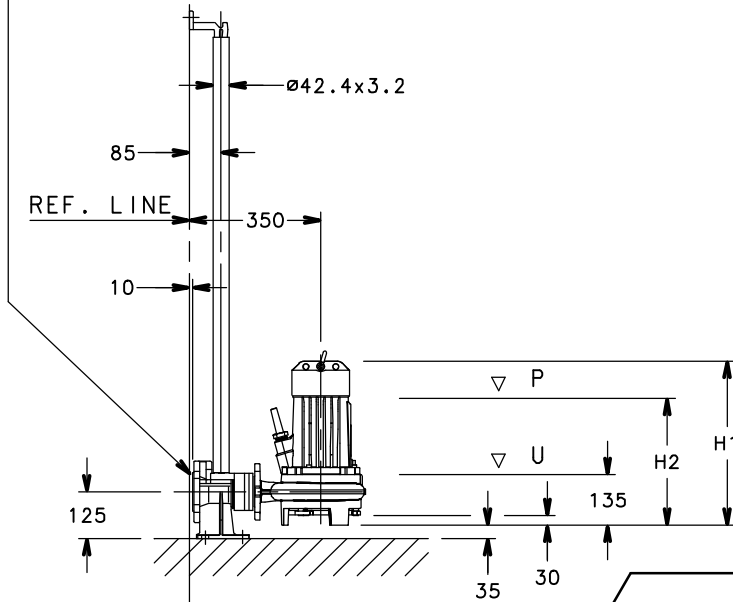
-JIS B 2210 - 10K

-BS 4504 - 10/16 bar

-ANSI B16.5 - 150 lbs

PUMP TYPE	DIMENSIONS (mm)		WEIGHT kg
	H1	H2	
DLCM 66-15A	440	340	41
DLCM 66-15	440	340	41
DLCM 66-21	440	340	41
DLC 66-15A	440	340	41
DLC 66-15	440	340	41
DLC 66-21	440	340	41
DLC 66-28	440	340	41
DLC 66-35	440	340	41

DLC66-5-2p50-en_a_ld



02503_C_DD

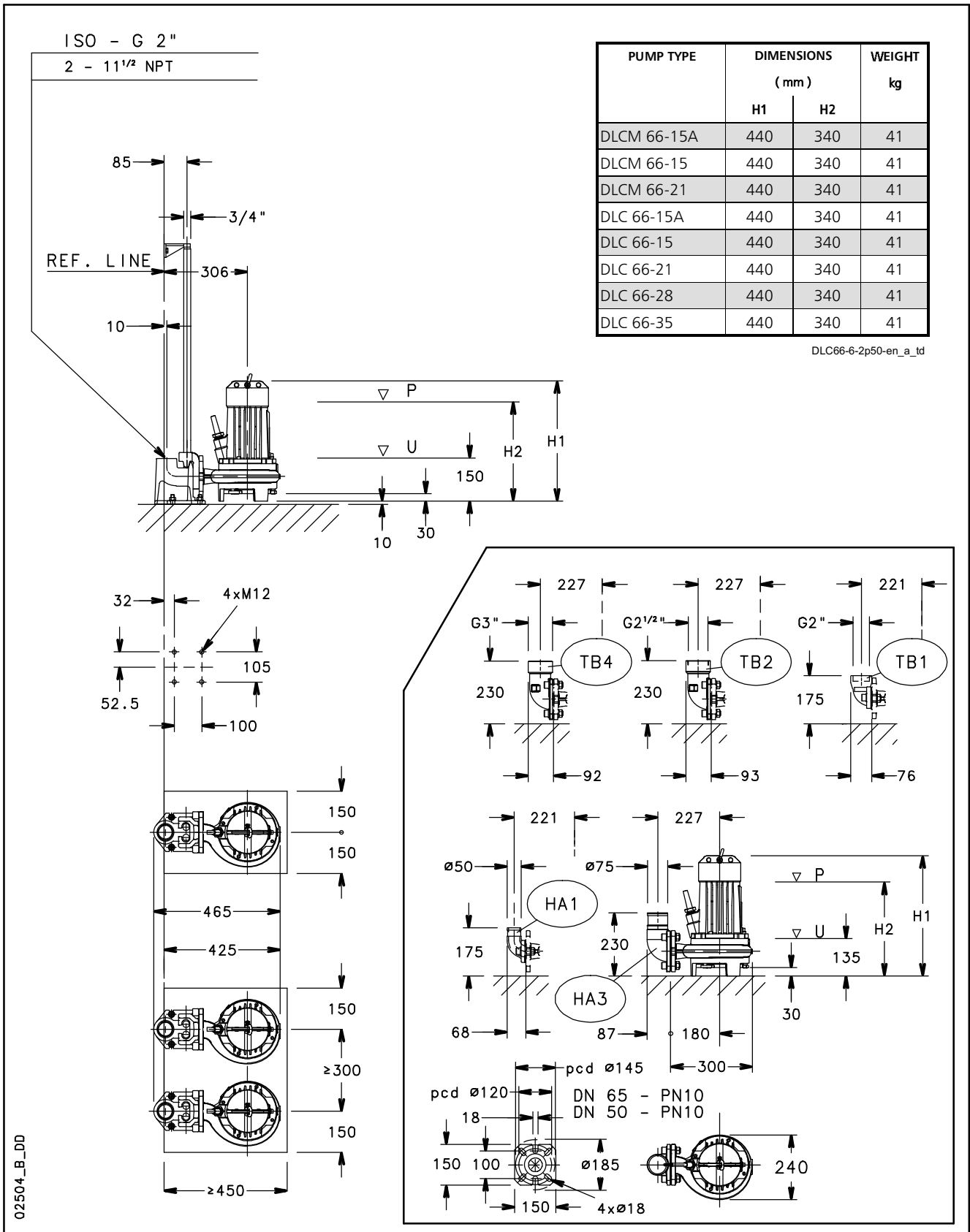
P = Minimum liquid level for continuous operation.
U = Minimum operating level to prevent air entrance into pump.



ITT

POMPOIRECT

DLC 66 SERIES (DN50) DS2A DIMENSIONS AND WEIGHTS



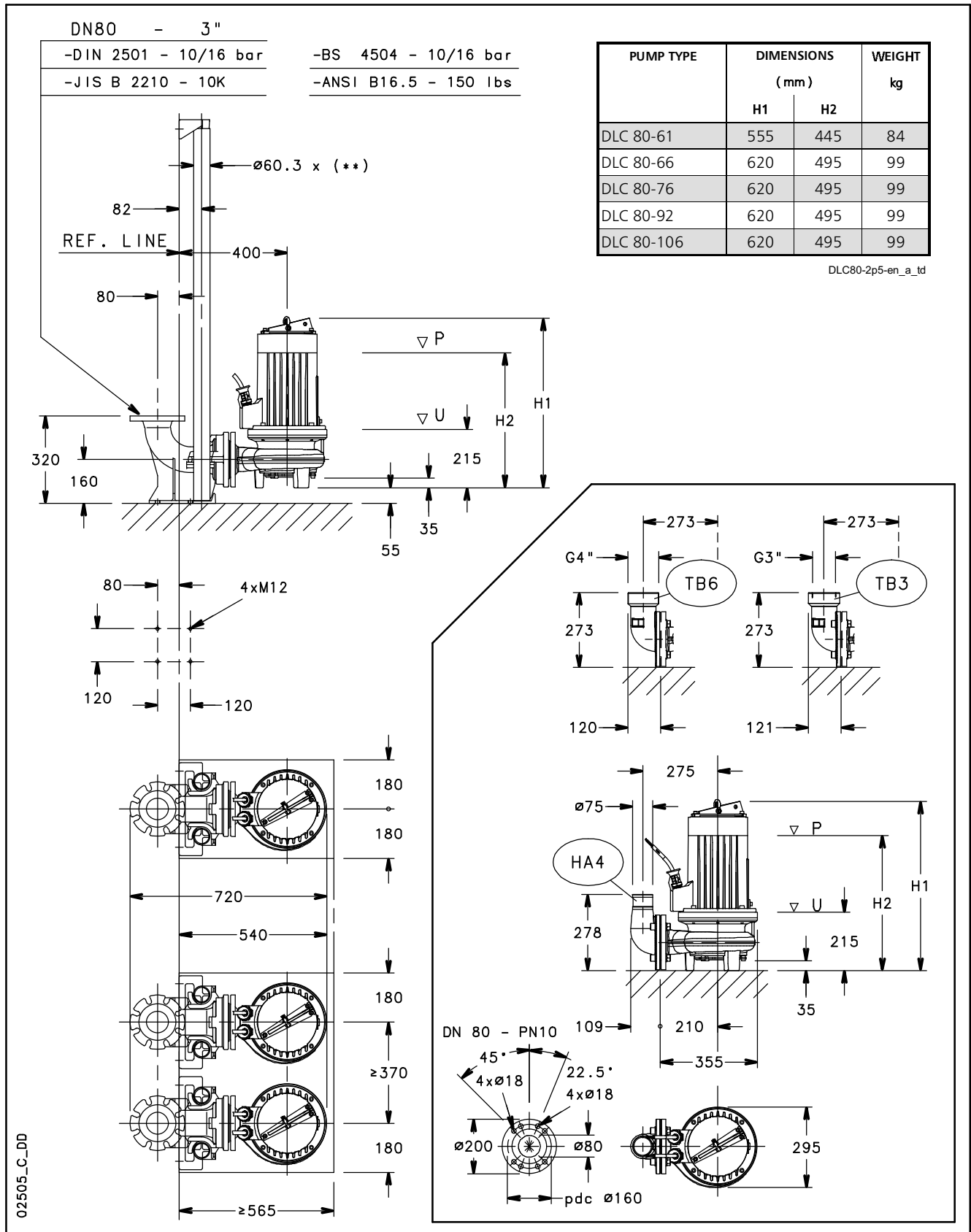
P = Minimum liquid level for continuous operation.
U = Minimum operating level to prevent air entrance into pump.



ITT

POMPOIRECT

DLC 80 SERIES (DN80) DS6 DIMENSIONS AND WEIGHTS



P = Minimum liquid level for continuous operation.
 U = Minimum operating level to prevent air entrance into pump.
 (***) = Thickness 2,77 AISI version / Thickness 3,65 galvanized version.



ITT

POMPOIRECT

DLC 100 SERIES (DN100) DS7 DIMENSIONS AND WEIGHTS

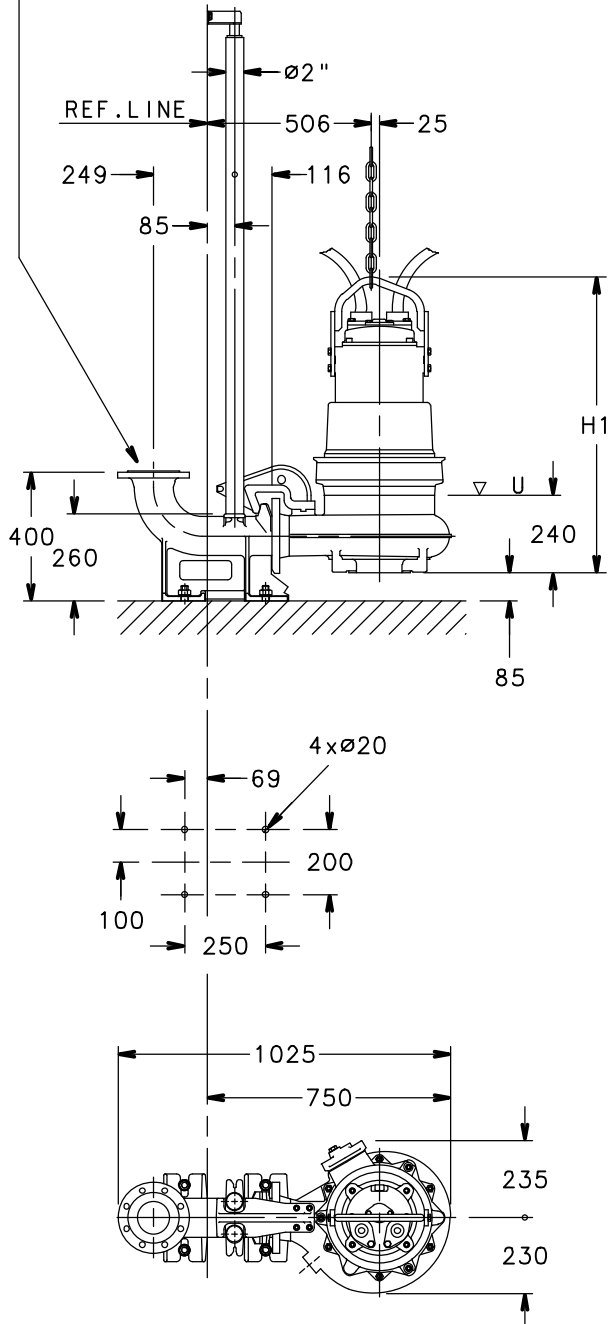
DN100 - 4"

-DIN 2501 - 10/16 bar

-BS 4504 - 10/16 bar

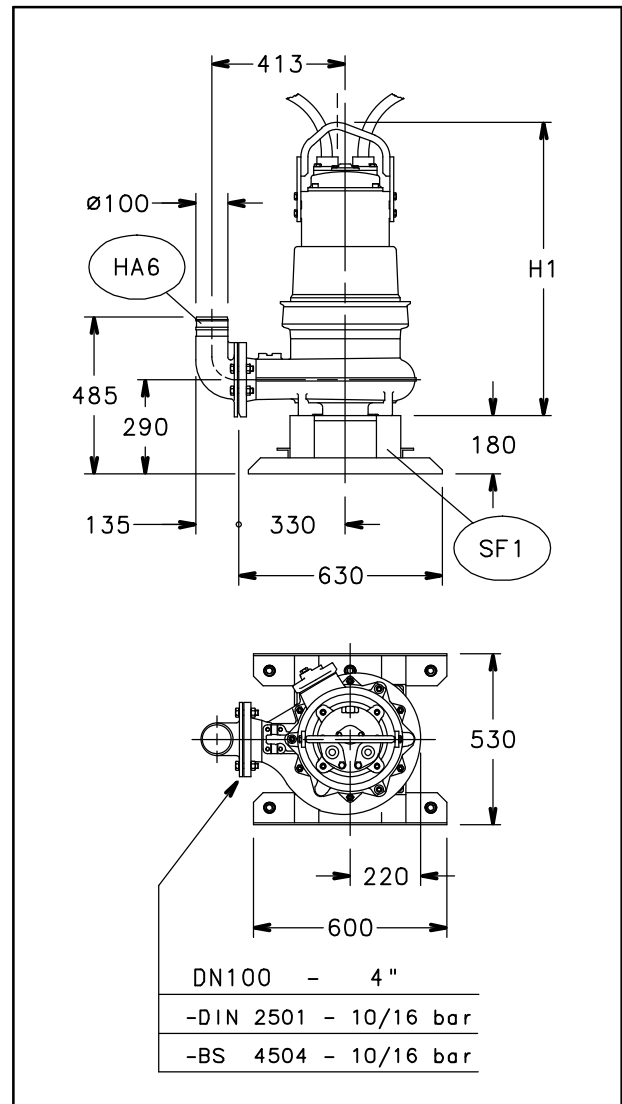
-JIS B 2210 - 10K

-ANSI B16.5 - 150 lbs



PUMP TYPE	DIMENSIONS (mm) H1	WEIGHT kg
DLC 100-97	910	300
DLC 100-125	910	300
DLC 100-170 L1	910	300

DLC100-2p50-en_b_td



DN100 - 4"

-DIN 2501 - 10/16 bar

-BS 4504 - 10/16 bar

02507_B_DD

U = Minimum operating level to prevent air entrance into pump.



ITT

POMPODIRECT

DLC4 100 SERIES (DN100) DS8 DIMENSIONS AND WEIGHTS

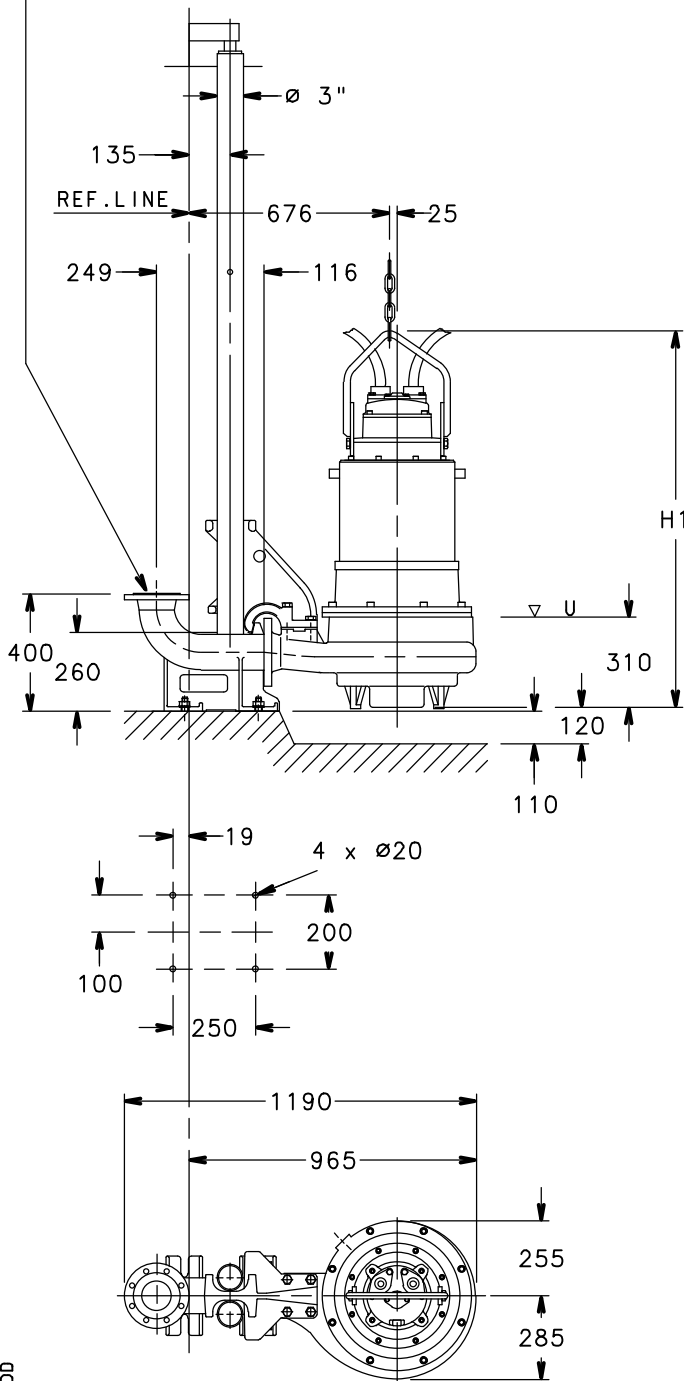
DN100 - 4"

-DIN 2501 - 10/16 bar

-BS 4504 - 10/16 bar

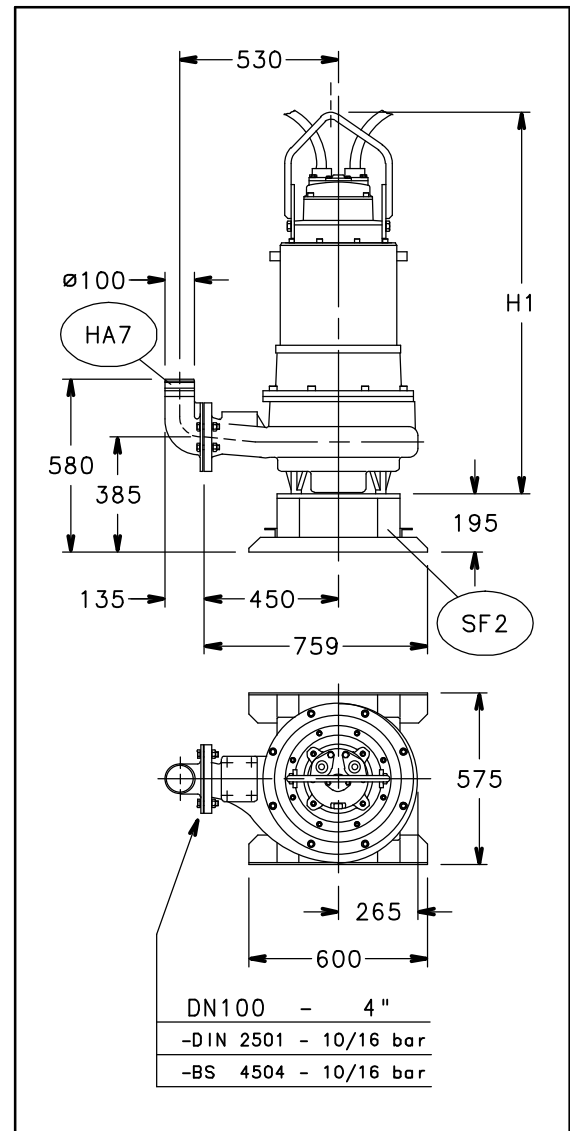
-JIS B 2210 - 10K

-ANSI B16.5 - 150 lbs



PUMP TYPE	DIMENSIONS (mm) H1	WEIGHT kg
DLC4 100-251	1280	500
DLC4 100-251L1	1280	500
DLC4 100-251L2	1280	500

DLC4100-4p50-en_a_td



DN100 - 4"

-DIN 2501 - 10/16 bar

-BS 4504 - 10/16 bar

02508_B_DD

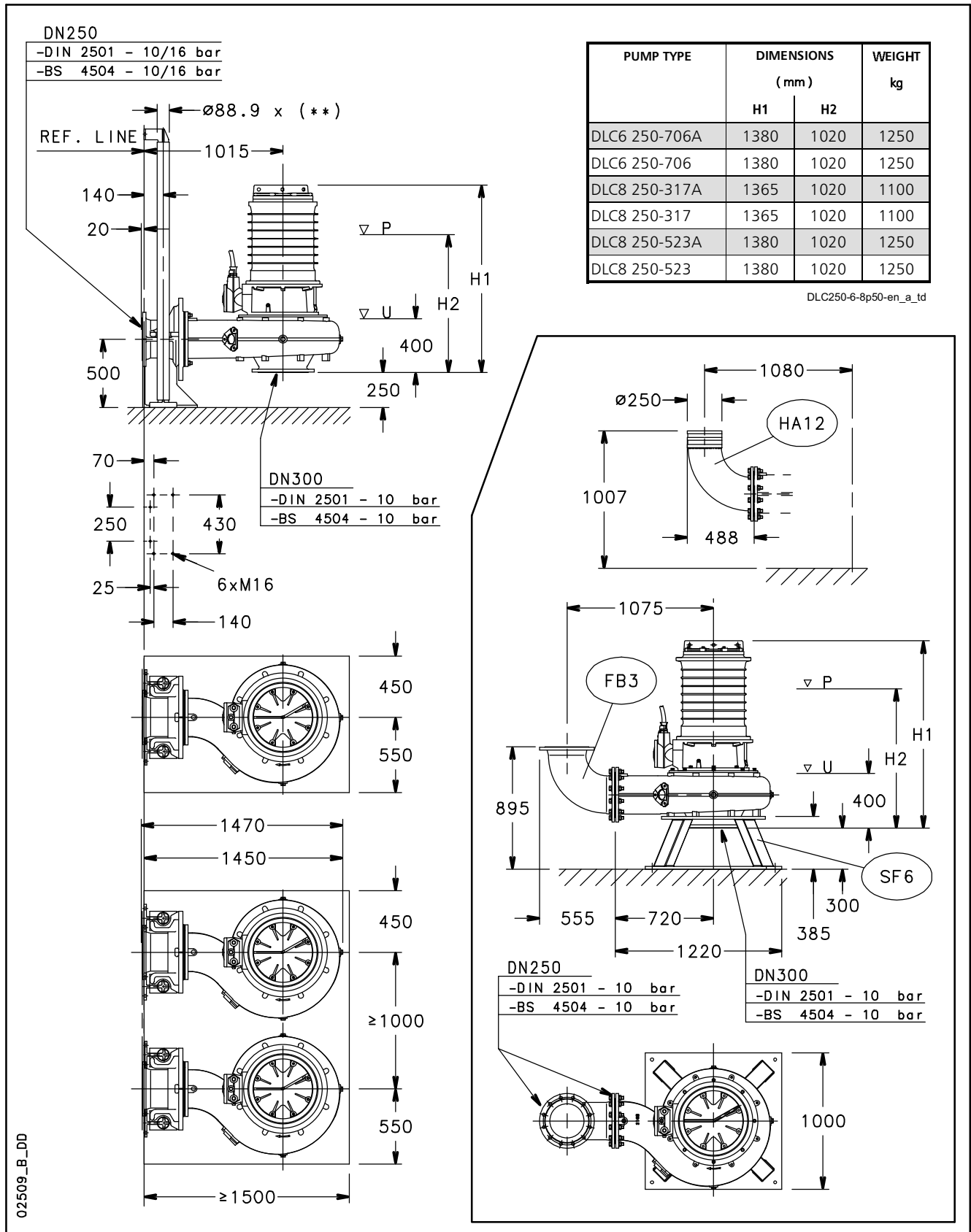
U = Minimum operating level to prevent air entrance into pump.



ITT

POMPOIRECT

DLC 250 SERIES (DN250) DS12 DIMENSIONS AND WEIGHTS



P = Minimum liquid level for continuous operation.
 U = Minimum operating level to prevent air entrance into pump.
 (**)= Thickness 3,05 AISI version / Thickness 3,65 galvanized version.