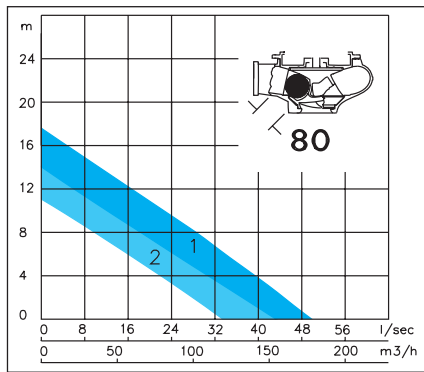


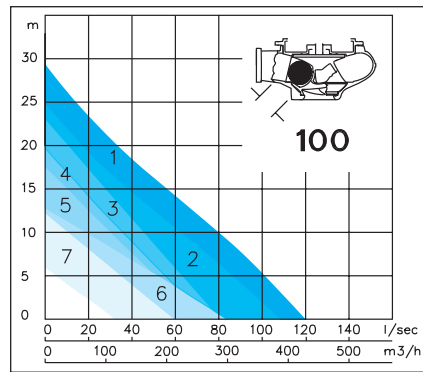
Characteristics

RT20 series



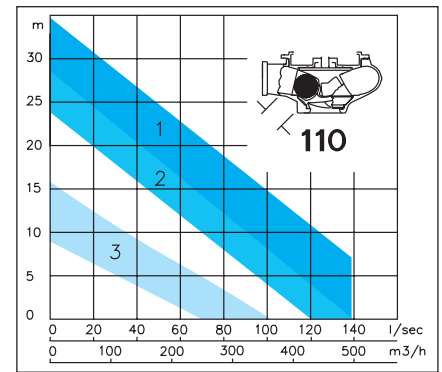
Nr	Model	Motor [kW]	Speed [min ⁻¹]	Outlet [mm]	A [mm]	B [mm]
1	RT2030DG	3.5	1450	100	420	520
2	RT2031DD	2.2	1450	100	420	520

RT40 series



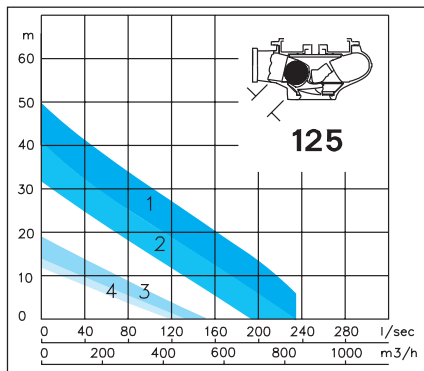
Nr	Model	Motor [kW]	Speed [min ⁻¹]	Outlet [mm]	A [mm]	B [mm]
1	RT4042DZ	12	1450	150	665	773
2	RT4042DU	9.5	1450	150	665	773
3	RT4040DO	7.5	1450	100	495	620
4	RT4040DL	6	1450	100	495	620
5	RT4040DJ	5	1450	100	495	620
6	RT4042FH	4	960	150	665	708
7	RT4040FE	2.4	960	100	495	620

RT60 series



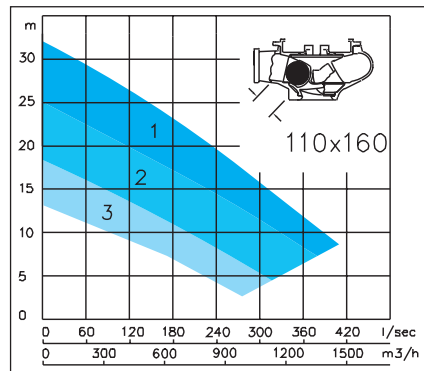
Nr	Model	Motor [kW]	Speed [min ⁻¹]	Outlet [mm]	A [mm]	B [mm]
1	RT6040LF	22	1450	150	705	950
2	RT6040LD	16	1450	150	705	950
3	RT6040FR	9	960	150	705	950

RT60 series

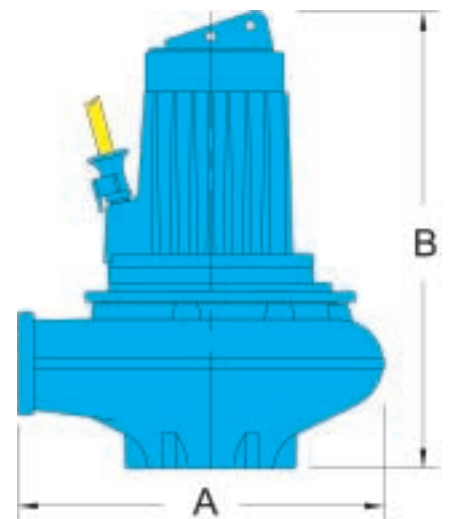


Nr	Model	Motor [kW]	Speed [min ⁻¹]	Outlet [mm]	A [mm]	B [mm]
1	RT6050LL	48	1450	200	865	1090
2	RT6050LI	34	1450	200	865	1015
3	RT6050FZ	13	960	200	865	950
4	RT6050FR	9	960	200	865	950

RT80 series



Nr	Model	Motor [kW]	Speed [min ⁻¹]	Outlet [mm]	A [mm]	B [mm]
1	RT8040NO	60	960	250	1160	1375
2	RT8040PM	48	750	250	1160	1375
3	RT8040PG	26	750	250	1160	1360



Design Features

Motor: class F (155°F/311°F).

Bearings: heavy duty (thrust) bearings, greased for life.

Shaft: stainless steel.

Shaft sealing: Two independent mechanical seals, run in oil. At the pump side silicon carbide runs on ceramic, at the motor side carbon on ceramic.

Oil housing: with flexible rubber bellows.

Back vanes: with spiral groove in the seal housing. Prevent solids entering the seal area and reduce the pressure on the seals for longer seal life.

Impeller: self cleaning, effectively deals with fibrous materials. No flow disturbance and low product damages. RT 80 with twin blades for optimum hydraulic balance and smooth vibration free running

No adjustments: closed impeller to minimise the effects of wear. Two wear rings in series that do not require re-adjustments for constant long term high performance with minimum maintenance.

Bolts & Nuts: stainless steel.