

VERTICAL CANTILEVER SLURRY PUMPS **DC/DEC SERIES**



TOYO

Pumps Solutions

Toyo Pumps is a North American manufacturer of heavy duty Slurry Pumps. The Toyo DEC and DC pumps are the most rugged vertical cantilever slurry pumps available in the market; and along with our Submersible, Horizontal and Positive Displacement pumps, form a comprehensive range of high quality slurry pumps.



VERTICAL CANTILEVER PUMPS

Heavy Duty Construction – Large shafts up to 7 inches (175 mm) in diameter built with materials exceeding industry standards, are capable of handling hydraulic loads generated at shut off conditions for a slurry specific gravity of 2.0; resulting in minimal shaft deflection.

The grease lubricated bearings are designed to handle worst case axial and radial thrusts; allowing for intermittent low and zero flow operation with high specific gravity slurries. Top bearings are double row angular contact ball bearings. The bottom bearing is a cylindrical roller bearing.

Sealless Pump – There are no seals or submerged bearings or bushings exposed to the slurry, thereby reducing downtime and operating costs.

Continuous Run Dry

– Reduces downtime, maintenance requirements and operating costs.

Hard Metal Components

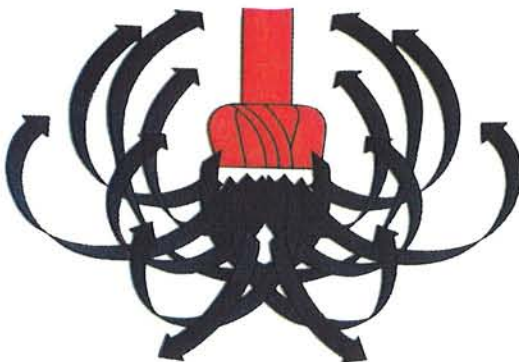
– The pump wet end components are manufactured in various metallurgies with 28% hardened chrome iron used for maximum abrasion resistance. The hard metal is superior to elastomers for handling tramp objects that often find their way into the sump.

DEC - Recessed Impeller - Features	Benefits
<ul style="list-style-type: none"> • Modern computer aided curved blade impeller and an internal, semi-axial spiral casing. 	<ul style="list-style-type: none"> • One of the highest efficiency recessed impeller pumps available. • Smooth transfer of solids through the pump reduces turbulence and recirculation giving extended life.
<ul style="list-style-type: none"> • Only 20% of the slurry contacts the impeller. 	<ul style="list-style-type: none"> • Longer wear life.
<ul style="list-style-type: none"> • Fully recessed impeller. 	<ul style="list-style-type: none"> • Large particle capability. • Reduces operating costs by eliminating highest wear area between the impeller and suction wear plate due to close clearance.
<ul style="list-style-type: none"> • Low radial loads 	<ul style="list-style-type: none"> • Increases bearing life.
<ul style="list-style-type: none"> • Solids carried through the casing at low velocities. 	<ul style="list-style-type: none"> • Longer wear life.
DC - Closed Impeller - Features	Benefits
<ul style="list-style-type: none"> • Top and bottom replaceable wearplates. • Adjustable suction wearplates. 	<ul style="list-style-type: none"> • Reduced operating costs. • Maintain efficiencies.

AGITATOR OPTION

Toyo is the world leader in agitator pumps. The pumps were originally designed based on the agitator, not as an "add on" to the existing product.

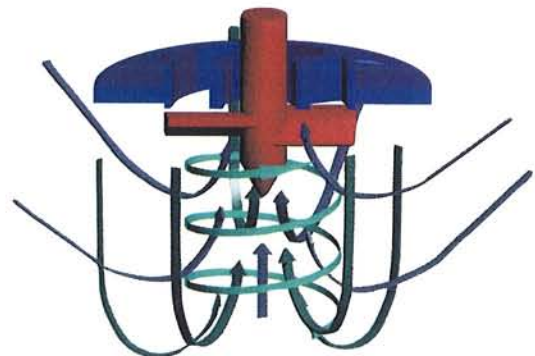
- Eliminates downtime due to solids building up and choking off the suction of conventional pumps.
- Reduces maintenance costs in digging out sumps.
- Eliminates solids accumulating on the sump floor.
- Allows pumping of high concentrations of solids.



CHOPPER OPTION

A customer's existing chopper pump was not handling all the tramp material so Toyo was asked to design a solution - a heavy duty chopper pump.

- Independent rotary and stationary blades of heavy duty construction allow chopping of metal banding, plastic, wood, rags, bags, etc.
- Rotary blade designed as an inducer to prevent blocking of the suction.
- The "chopper" eliminates pump and system downtime due to plugging of pump suction or pipeline.

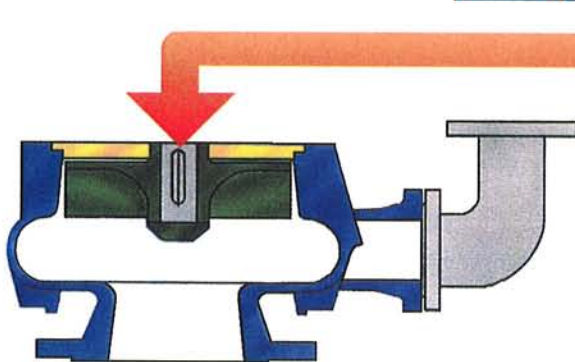
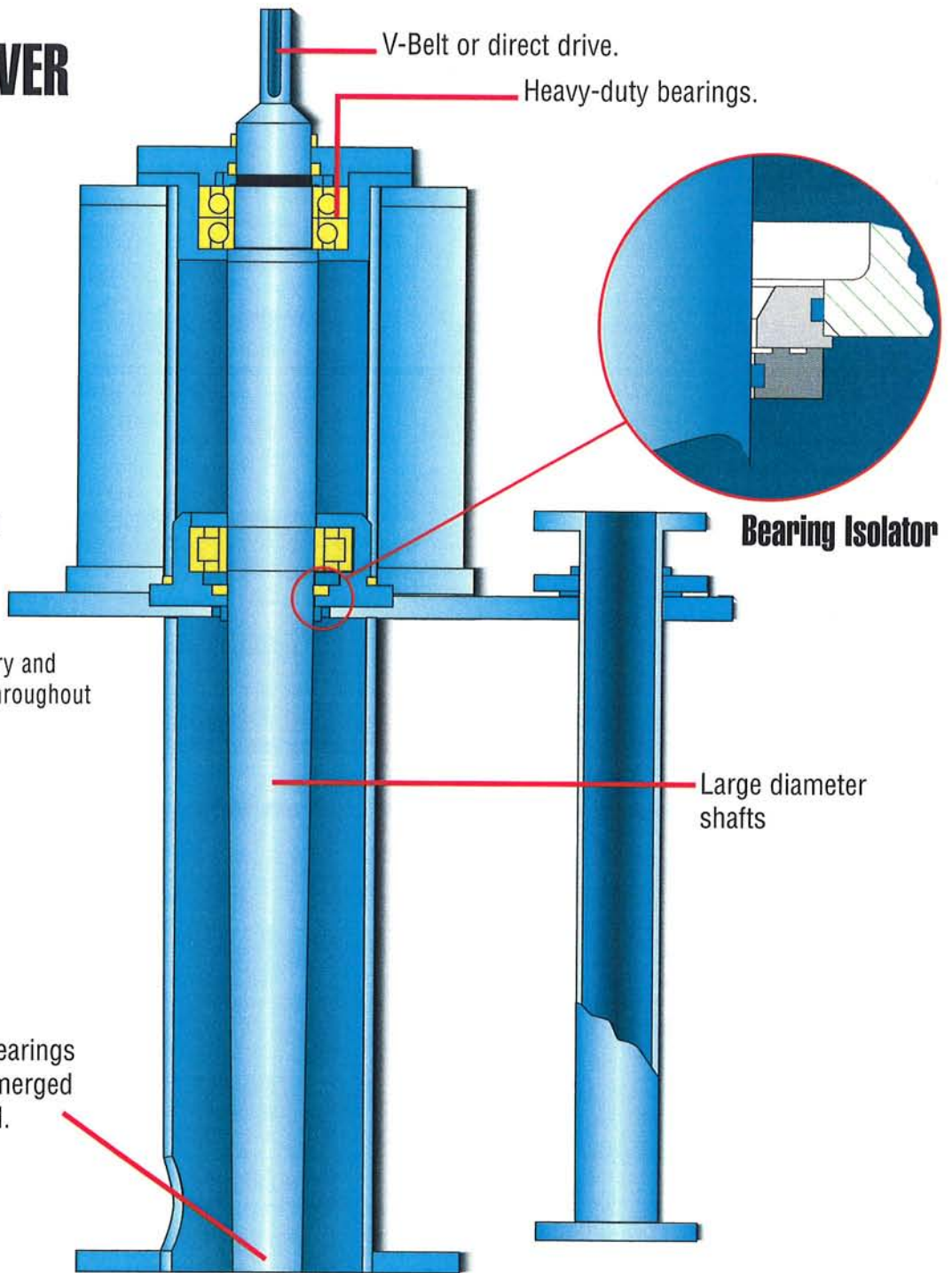


VERTICAL CANTILEVER SLURRY PUMPS

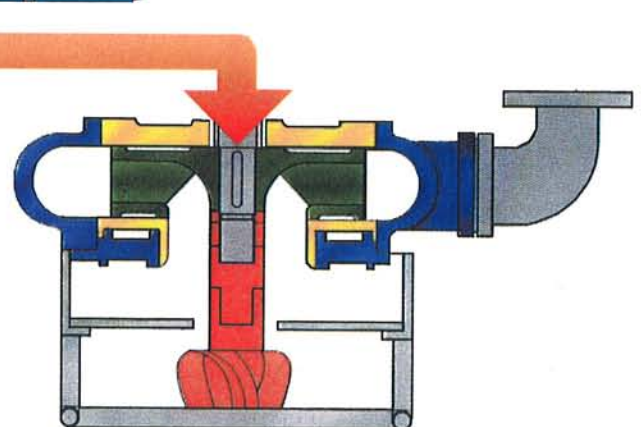
DC/DEC SERIES

**Before you buy
another cantilever
call us.**

We can prove you can reduce inventory and maintenance costs by standardizing throughout your plant on Toyo Cantilever Pumps.



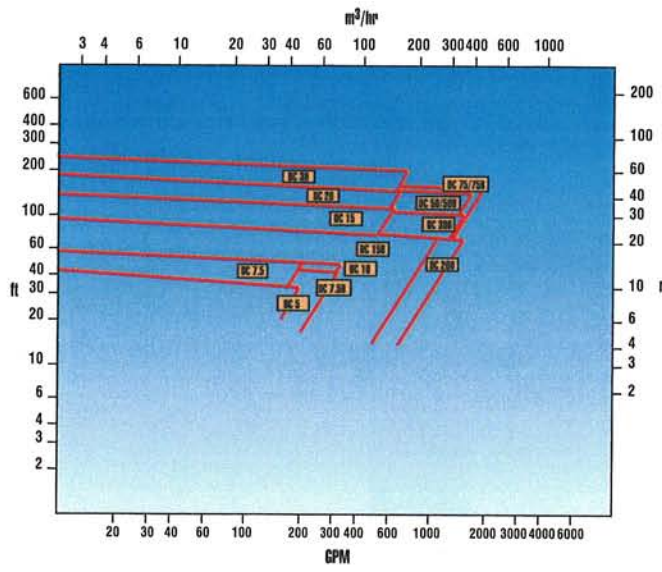
Recessed Impeller Series • With or without agitator



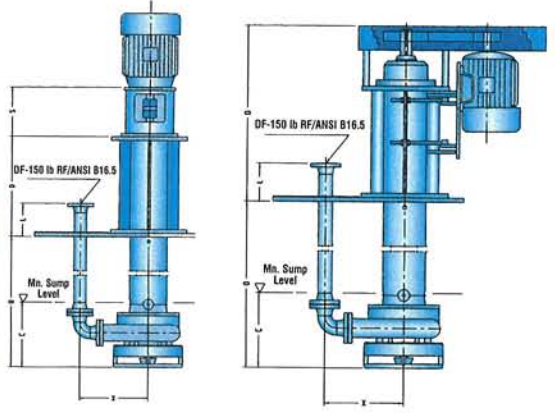
Closed Impeller Series • With or without agitator

SPECIFICATIONS

DC SERIES

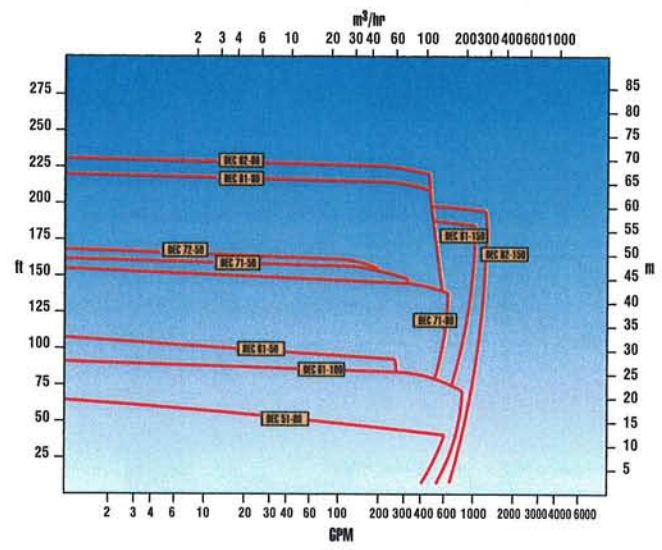


PUMP SIZE	BRG. HSG.	A	B
DC-5, DC-7.5(B), DC-10	4E, 5E	610 24	914.4 36
DC-15(B), DC-20(B), DC-30(B), DC-50(B)	4E, 5E, 6F, 7F	914.4	1219
DC-75(B)	6F, 7F	36	48

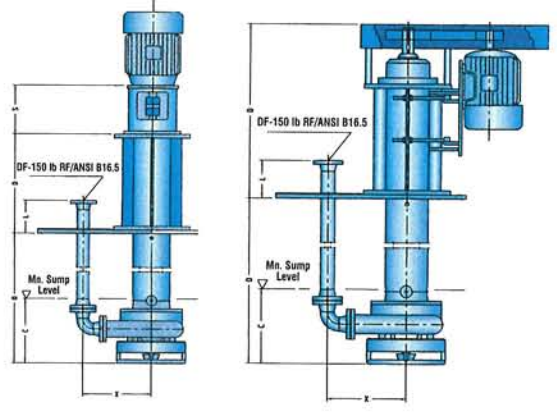


PUMP SIZE	DC-5	DC-7.5	DC-7.5B	DC-10	DC-15	DC-15B	DC-20	DC-20B	DC-30	DC-30B	DC-50	DC-50B	DC-75	DC-75B
O	1219 1524 1829													
DF	48 60 72													
L	178	203	156	156	272	167	267	167	287	187	242	208	247	213
C	14.2	15.2	15.4	16.1	21.7	20.9	21.7	20.9	22.2	21.7	24.6	24.6	24.7	24.7
X	363	378	413	413	385	419	418	419	462	477	512	535	512	539
	14.3	14.9	16.3	16.3	15.2	16.5	16.5	16.5	18.2	18.8	20.2	21.1	20.2	21.2

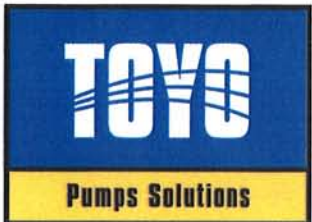
DEC SERIES



PUMP SIZE	BRG. HSG.	A	B
51-80 to 71-80	3D, 4E, 5E	610 24	914.4 36
51-80 to 81-150	4E, 5E, 6F, 7F	914.4 36	1219 48



PUMP SIZE	51-80	61-50	61-100	71-50	71-80	81-80	81-150
O	1219 1524 1829						
DF	48 60 72						
L	218	279	285	281	247	249	205
	8.6	11	11.2	11.1	9.7	9.8	8.1
C	421	463	440	465	470	472	604
	16.6	18.2	17.3	18.3	18.5	18.6	23.8
X	399	368	481	418	489	504	685
	15.7	14.5	18.9	16.4	19.3	19.9	27



TOYO PUMPS
NORTH AMERICA CORPORATION



Tel 0294-457712 info@pompdirect.nl

2000 - DC/DEC 05/97

Printed in Canada