



CORNELL PUMP COMPANY

R Series - Horizontal Frame Mounted

STANDARD SPECIFICATION

Sizes Available: 2.5RB, 3RB, 3RC, 4RB, 4RC, 5RB, 5RC, 6RB, 6RC, 10 RB

Discharge Size - 2.5 - 10 inch

Casing - cast iron ASTM A48, Class 30

Wear Rings - bronze SAE 660

Impeller - bronze SAE 40

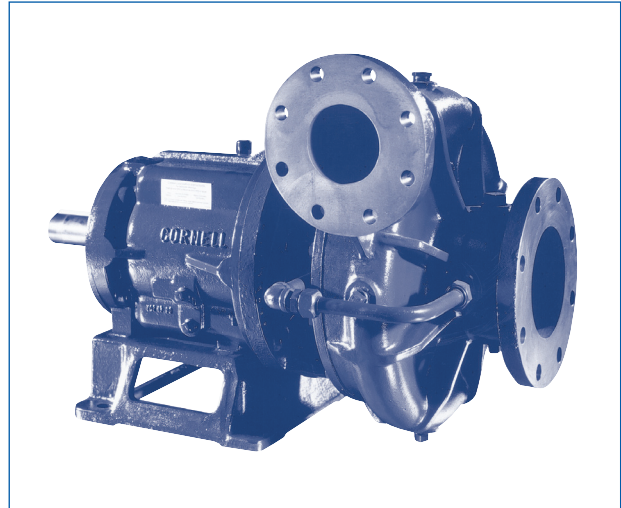
Backplate - cast iron ASTM A48, Class 30

Shaft Sleeve - bronze SAE 660

Shaft - SAE 1144 Stressproof®

Sealing Arrangement - packing (Cycloseal® standard on RC pumps).

Other materials of construction and sealing options available.



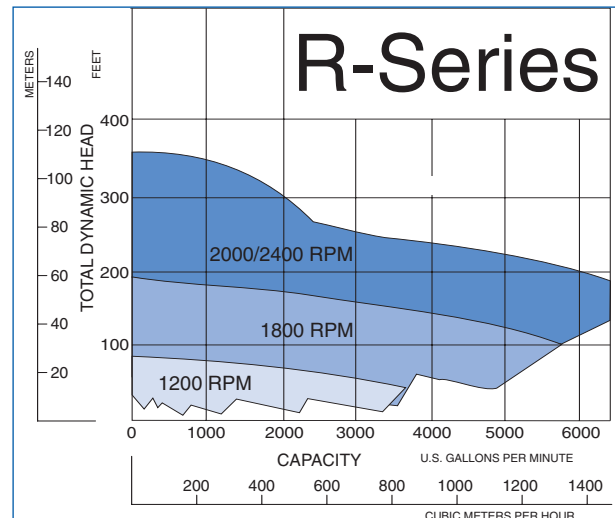
FEATURES AND BENEFITS

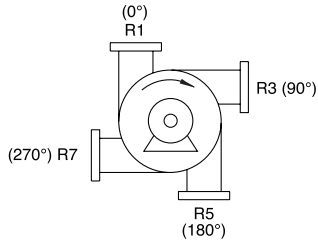
- Suited for medium to high capacity (GPM) with medium head (pressure)
- Flows to 7100 GPM/1610 CuM/Hr
- Pressures to 365 TDH/111 M
- Standard cast iron, bronze fitted construction
- External hydraulic balance line (except on RC)
- Back pullout
- Double volute (standard on 5" and larger)
- High efficiency hydraulics
- Low operating cost
- Two year warranty

TYPICAL APPLICATIONS

- | | | | | |
|----------------------|----------------------|----------------------|-----------------------|----------------------|
| • Aquaculture | • Dow therm trans | • Golf course | • Irrigation | • Storm water |
| • Boiler feed | • Drip irrigation | • Gun system | • Linear | • Surface irrigation |
| • Brine | • Dust reduction | • Grey water | • Log pile irrigation | • Tail water return |
| • Chilled water | • End gun booster | • Hard hose traveler | • Micro spray | • Turf |
| • Condenser spray | • Flood irrigation | • Hot cooking oil | • Mining | • Water |
| • Construction | • Food plant process | • Impact sprinkler | • Petroleum | • Water booster |
| • Cooling tower | • Frost protection | • Industrial process | • Pivot | • Water transfer |
| • Dewatering systems | • Glycol | • Industrial sludge | • Power plant | • Wheel line |
| | | • Industrial waste | • Pulp and paper | |

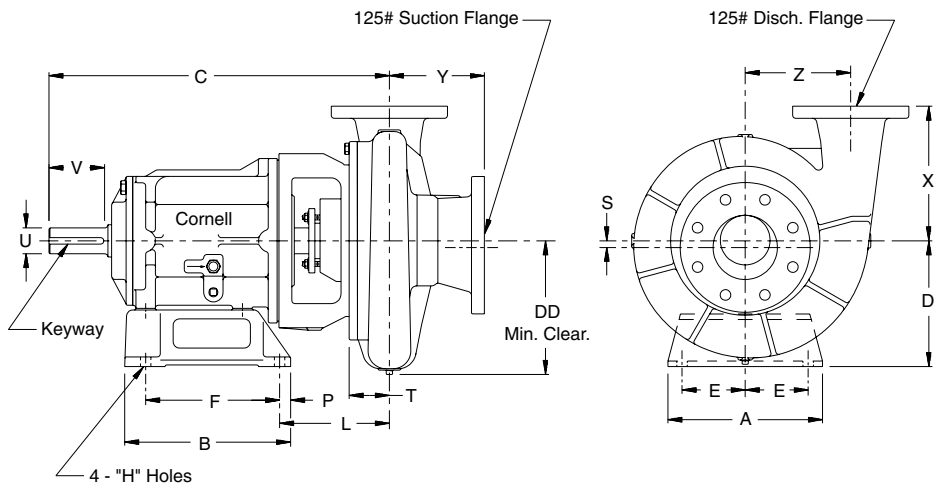
Stressproof® is a registered trademark of Niagara-LaSalle Steel.
Cycloseal® (patent #5489187)





Discharge positions viewed from drive end

Consult factory for availability of other discharge positions.



"V" dimension is maximum usable shaft.
Mounting foot thickness is .62 on F5, .75 on F16 and F18.

For 125# flange dimensions, see insert sheet ("American National Standard Institute Standards For Cast Iron Pipe Flanges").

Do not use for construction unless certified.
Flange connection dimension can vary $\pm .12$ inch.

PUMP DIMENSIONS

Model	Frame	Disch.	Suct.	A	B	C	D	DD	E	F	H	L	P	S	T	U	V	X	Y	Z	Keyway
2.5RB	F5	2.5	4	7.50	7.30	18.94	5.50	8.88	2.62	4.50	0.56	9.00	1.38	-	2.25	1.25	3.00	9.75	6.00	6.75	.25 x .12
2.5RB	F16	2.5	4	12.00	12.88	25.50	9.75	8.88	5.12	10.38	0.81	7.62	0.88	-	2.25	2.00	4.50	9.75	6.00	6.75	.50 x .25
3RB	F5	3	5	7.50	7.30	19.06	5.50	10.00	2.62	4.50	0.81	9.12	1.38	-	2.38	1.25	3.00	8.50	5.25	7.75	.25 x .12
3RB	F16	3	5	12.00	12.88	25.62	9.75	10.00	5.12	10.38	0.81	7.75	0.88	-	2.38	2.00	4.50	8.50	5.25	7.75	.50 x .25
3RC	F16	3	5	12.00	12.88	25.62	9.75	10.00	5.12	10.38	0.81	7.75	0.88	-	2.38	2.00	4.50	8.50	5.25	7.75	.50 x .25
4RB	F16	4	6	12.00	12.88	25.75	9.75	10.88	5.12	10.38	0.81	7.88	0.88	-	2.50	2.00	4.50	10.00	7.38	8.00	.50 x .25
4RC	F16	4	6	12.00	12.88	25.75	9.75	10.88	5.12	10.38	0.81	7.88	0.88	-	2.50	2.00	4.50	10.00	7.38	8.00	.50 x .25
5RB	F16	5	8	12.00	12.88	28.62	9.75	14.25	5.12	10.38	0.81	10.75	0.88	0.88	3.25	2.00	4.50	11.00	9.78	10.00	.50 x .25
5RB	F18/F18DB	5	8	12.00	12.88	29.62	10.50	14.25	5.12	10.38	0.81	11.25	0.88	0.88	3.25	2.50	4.50	11.00	9.78	10.00	.62 x .31
5RC	F16	5	8	12.00	12.88	25.38	9.75	14.25	5.12	10.38	0.81	7.50	0.88	0.88	3.25	2.00	4.50	11.00	9.78	10.00	.50 x .25
5RC	F18/F18DB	5	8	12.00	12.88	26.38	10.50	14.25	5.12	10.38	0.81	8.00	0.88	0.88	3.25	2.50	4.50	11.00	9.78	10.00	.62 x .31
6RB	F16	6	10	12.00	12.88	29.06	9.75	15.62	5.12	10.38	0.81	11.19	0.88	1.00	3.69	2.00	4.50	11.00	9.91	9.50	.50 x .25
6RB	F18/F18DB	6	10	12.00	12.88	30.06	10.50	15.62	5.12	10.38	0.81	11.69	0.88	1.00	3.69	2.50	4.50	11.00	9.91	9.50	.62 x .31
6RC	F16	6	10	12.00	12.88	25.81	9.75	15.62	5.12	10.38	0.81	7.96	0.88	1.00	3.69	2.00	4.50	11.00	9.91	9.50	.50 x .25
6RC	F18	6	10	12.00	12.88	26.81	10.50	15.62	5.12	10.38	0.81	8.50	0.88	1.00	3.69	2.50	4.50	11.00	9.91	9.50	.62 x .31
10RB	F18/F18DB	10	10	12.00	12.88	30.69	10.50	19.12	5.12	10.38	0.81	12.31	0.88	-	4.31	2.50	4.50	14.00	10.50	12.00	.62 x .31

Dimensions are the same for grease and oil (K) lubricated frames.

Cornell Pump Company

POMPDIRECT

CERTIFIED TO ISO 9001:2000

T 0294-457712 F 0294-457713 info@pompdirect.nl