



# CORNELL PUMP COMPANY

## W Series - Horizontal Frame Mounted

### STANDARD SPECIFICATION

**Sizes Available:** 1W, 1.25W, 1.25WO, 1.5W, 1.5WO, 2W, 2.5WB, 2.5WO, 3WB, 3WO, 4WB, 4WO, 5WB, 5WBH

**Discharge Size** - 1 inch - 5 inch

**Casing** - cast iron ASTM A48, Class 30

**Wear Rings** - bronze SAE 660

**Impeller** - bronze SAE 40

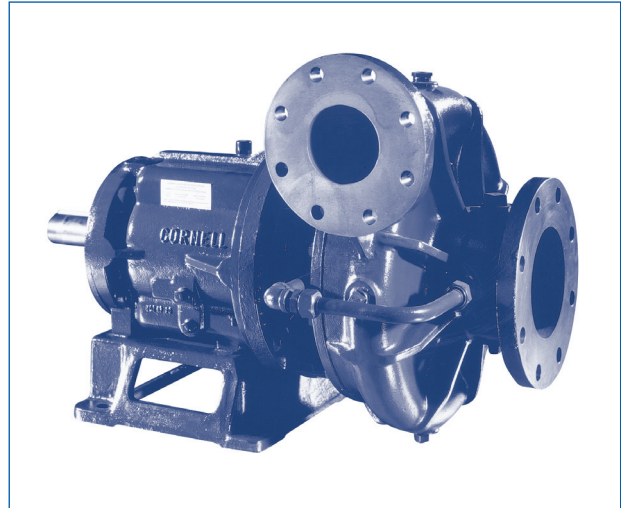
**Backplate** - cast iron ASTM A48, Class 30

**Shaft Sleeve** - bronze SAE 660

**Shaft** - SAE 1144 Stressproof®

**Sealing Arrangement** - packing

Other materials of construction and sealing options available.



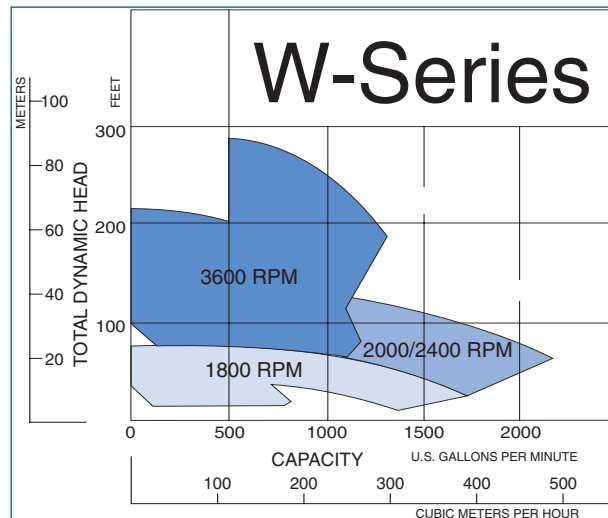
### FEATURES AND BENEFITS

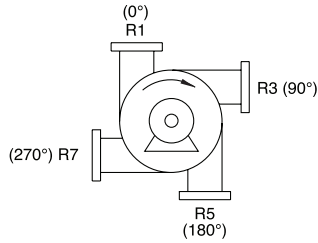
- Suited for small flow capacity (GPM) with medium head (pressure)
- Flows to 2550 GPM/579 CuM/Hr
- Pressures to 295 TDH/90 M
- Standard cast iron, bronze fitted construction
- External hydraulic balance line
- Back pullout
- Double volute (on 5WBH model only)
- High efficiency hydraulics
- Low operating cost
- Two year warranty

### TYPICAL APPLICATIONS

- |                      |                      |                      |                       |                      |
|----------------------|----------------------|----------------------|-----------------------|----------------------|
| • Aquaculture        | • Dow therm trans    | • Golf course        | • Irrigation          | • Storm water        |
| • Boiler feed        | • Drip irrigation    | • Gun system         | • Linear              | • Surface irrigation |
| • Brine              | • Dust reduction     | • Grey water         | • Log pile irrigation | • Tail water return  |
| • Chilled water      | • End gun booster    | • Hard hose traveler | • Micro spray         | • Turf               |
| • Condenser spray    | • Flood irrigation   | • Hot cooking oil    | • Mining              | • Water              |
| • Construction       | • Food plant process | • Impact sprinkler   | • Petroleum           | • Water booster      |
| • Cooling tower      | • Frost protection   | • Industrial process | • Pivot               | • Water transfer     |
| • Dewatering systems | • Glycol             | • Industrial sludge  | • Power plant         | • Wheel line         |
|                      |                      | • Industrial waste   | • Pulp and paper      |                      |

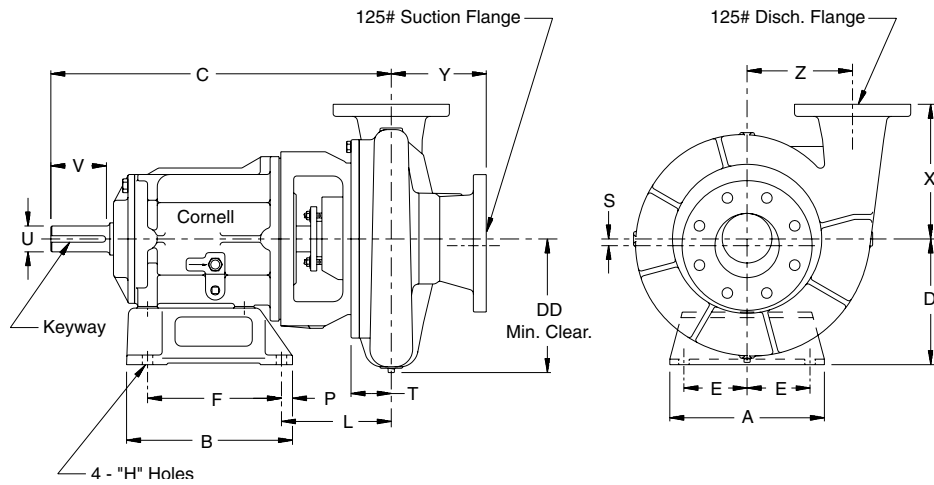
Stressproof® is a registered trademark of Niagara-LaSalle Steel.  
Cycloseal® (patent #5489187)





Discharge positions viewed from drive end

Consult factory for availability of other discharge positions.



"V" dimension is maximum usable shaft.  
Mounting foot thickness is .62 on F5, .75 on F16 and F18.

For 125# flange dimensions, see insert sheet ("American National Standard Institute Standards For Cast Iron Pipe Flanges").

Do not use for construction unless certified.  
Flange connection dimension can vary  $\pm .12$  inch.

## PUMP DIMENSIONS

Model	Frame	Connection			A	B	C	D	DD	E	F	H	L	P	S	T	U	V	X	Y	Z	Keyway
		Disch.	Suct.	Type																		
1W	F5	1	2	THRD.	7.50	7.30	18.88	5.50	5.62	2.62	4.50	0.56	8.94	1.38	-	2.88	1.25	3.00	5.75	3.16	4.00	.25 x .12
1.25W	F5	1.25	1.5	THRD.	7.50	7.30	18.50	5.50	5.75	2.62	4.50	0.56	8.56	1.38	-	2.50	1.25	3.00	4.06	3.47	3.75	.25 x .12
1.25WO	F5	1.25	1.5	THRD.	7.50	7.30	18.50	5.50	5.75	2.62	4.50	0.56	8.56	1.38	-	2.50	1.25	3.00	4.06	2.22	3.75	.25 x .12
1.5W	F5	1.5	2	THRD.	7.50	7.30	18.50	5.50	6.38	2.62	4.50	0.56	8.56	1.38	-	2.50	1.25	3.00	5.00	3.53	4.50	.25 x .12
1.5WO	F5	1.5	2	THRD.	7.50	7.30	18.50	5.50	6.38	2.62	4.50	0.56	8.56	1.38	-	2.50	1.25	3.00	5.00	2.78	4.50	.25 x .12
2W	F5	2	2.5	THRD.	7.50	7.30	18.62	5.50	6.38	2.62	4.50	0.56	8.69	1.38	-	2.62	1.25	3.00	5.12	3.91	4.12	.25 x .12
2.5WB	F5	2.5	3	FLG.	7.50	7.30	18.62	5.50	6.25	2.62	4.50	0.56	8.69	1.38	-	2.62	1.25	3.00	5.69	4.28	4.38	.25 x .12
2.5WO	F5	2.5	3	FLG.	7.50	7.30	18.62	5.50	6.25	2.62	4.50	0.56	8.69	1.38	-	2.62	1.25	3.00	5.69	4.28	4.38	.25 x .12
3WB	F5	3	4	FLG.	7.50	7.30	18.62	5.50	6.50	2.62	4.50	0.56	8.69	1.38	-	2.62	1.25	3.00	6.00	4.75	4.50	.25 x .12
3WO	F5	3	4	FLG.	7.50	7.30	18.62	5.50	6.50	2.62	4.50	0.56	8.69	1.38	-	2.62	1.25	3.00	6.00	4.78	4.50	.25 x .12
4WB	F5	4	5	FLG.	7.50	7.30	19.44	5.50	7.50	2.62	4.50	0.56	9.50	1.38	-	2.75	1.25	3.00	7.50	5.03	4.75	.25 x .12
4WO	F16	4	5	FLG.	12.00	12.88	26.00	9.75	7.50	5.12	10.38	0.81	8.12	0.88	-	2.75	2.00	4.50	7.50	5.03	4.75	.50 x .25
	F5	4	5	FLG.	7.50	7.30	18.75	5.50	7.50	2.62	4.50	0.56	9.50	1.38	-	2.75	1.25	3.00	7.50	5.09	4.75	.25 x .12
5WB	F5	5	6	FLG.	7.50	7.30	19.06	5.50	9.00	2.62	4.50	0.56	9.12	1.38	0.50	2.38	1.25	3.00	9.75	6.66	5.50	.25 x .12
	F16	5	6	FLG.	12.00	12.88	27.88	9.75	9.00	5.12	10.38	0.81	10.00	0.88	0.50	2.38	2.00	4.50	9.75	6.66	5.50	.50 x .25
5WBH	F5	5	8	FLG.	7.50	7.30	20.41	5.50	12.38	2.62	4.50	0.56	10.47	1.38	0.44	3.72	1.25	3.00	7.75	10.28	7.88	.25 x .12
	F16	5	8	FLG.	12.00	12.88	26.97	9.75	12.38	5.12	10.38	0.81	9.09	0.88	0.44	3.72	2.00	4.50	7.75	10.28	7.88	.50 x .25

Dimensions are the same for grease and oil (K) lubricated frames.

Cornell Pump Company



CERTIFIED TO ISO 9001:2000