



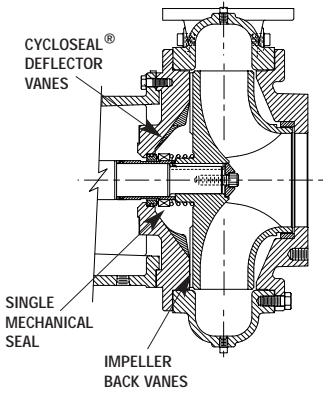
PRODUCT DATA SHEET

**CORNELL PUMP COMPANY**

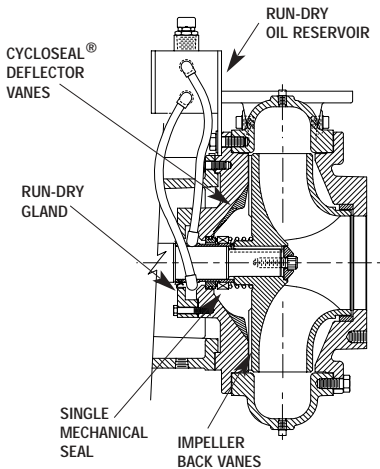
**Manure Slurry Pumps**



## CYCLOSEAL®



## RUN-DRY OPTION



## APPLICATION

Cornell has incorporated many unique and innovative design features into its liquid waste slurry pumps, while maintaining its position in the industry as the leader of heavy-duty, low maintenance pumps. Cornell's liquid waste slurry pumps have been used successfully in a variety of farm, industrial and municipal waste applications. Our slurry and non-clog pumps are used in big gun applications, injection systems and liquid manure transfer. These pumps are designed specifically to handle manure slurry applications and provide a long service life.



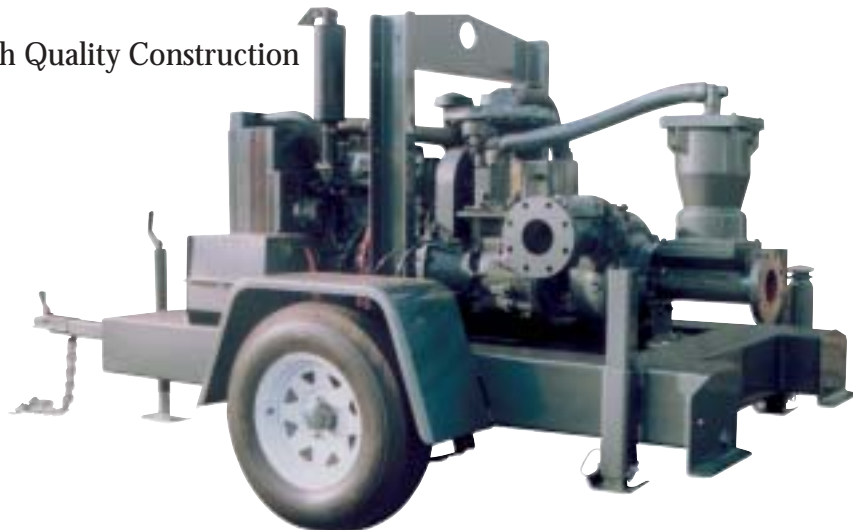
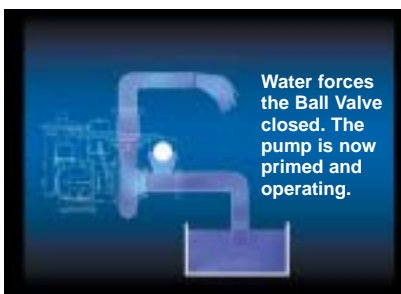
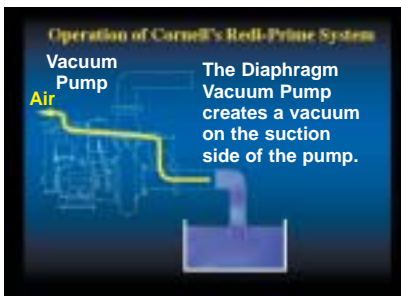
## REDI-PRIME® SYSTEM

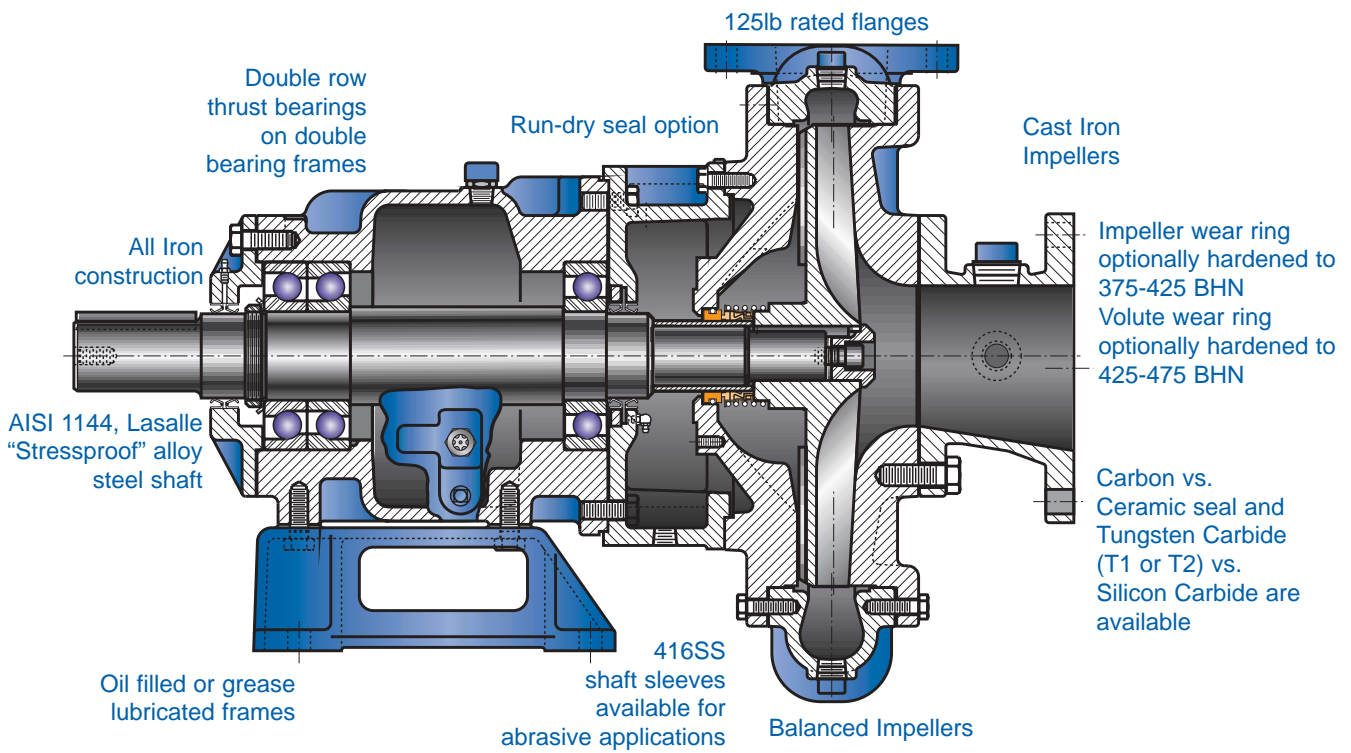
- Vacuum Assist (Diaphragm) Pump
- Patented Cycloseal & Run-Dry features
- Available on most Pumps
- Fully automatic, compact, self-priming
- High Hydraulic Efficiencies

## PRODUCT DIVERSITY

Many Cornell innovations have evolved from our commitment to the agricultural waste marketplace and our ongoing effort to work with the industry in providing solutions for waste handling applications.

- Grey water with 0 to 15% Solids
- Open and Closed Impellers
- Low to High Operating Pressures
- Low to High Flow Requirements
- High Efficiency
- Dependable, High Quality Construction





### MOUNTING STYLES AVAILABLE

- Close-coupled with Electric Motor
- Horizontal Frame Mount
- SAE Engine Mount

#### ENCLOSED IMPELLER



The two- and three-port enclosed impellers are designed to handle solids up to 3.38" and have excellent efficiencies - up to 82%.

#### DELTA IMPELLER



Cornell's Delta™ style impeller is excellent for handling straw, twine, and extremely heavy sludge where there is a low to medium head requirement.

#### SEMI-OPEN IMPELLER



The bladed semi-open impeller has a cutting action which allows it to handle stringy material and the worst slurries at higher heads.

#### GREY WATER IMPELLER



The grey water impeller has been successfully used in big gun systems, pivot and linear applications with limited solids, high heads and efficient operation - up to 88%.

MODELS	FLOW RANGE USGPM	MAXIMUM PRESSURE TDH/PSI	SOLID SIZE
--------	------------------	--------------------------	------------

4NNTL	200-950	85/37	3"
4NNT	100-1400	115/50	3"
4414T	250-1300	400/173	3"
4NHTB	400-1800	370/160	3"
6NNT	500-2700	120/52	3"
6NHTA	500-2000	235/102	3"
6NHTB	750-3000	340/147	3.38"
8NNT	1000-4500	225/97	3.38"
8NHTA	1000-3500	350/152	3.38"
8NHTH	1000-4500	250/108	4"

MODELS	FLOW RANGE USGPM	MAXIMUM PRESSURE TDH/PSI
--------	------------------	--------------------------

3NLA	75-225	44/19
4NNDH	100-750	115/49
4NLDL	150-525	85/36
4NHDH	200-1000	200/87
6NHDH	400-1200	90/39

MODELS	FLOW RANGE USGPM	MAXIMUM PRESSURE TDH/PSI
--------	------------------	--------------------------

1.25YML	50-150	235/101
2.5YM	100-580	300/130
2.5HM	100-350	400/173
3HM	150-850	400/173
4HM	400-1300	400/173
4NHM	500-1500	350/155

MODELS	FLOW RANGE USGPM	MAXIMUM PRESSURE TDH/PSI
--------	------------------	--------------------------

W Series	125-1750	290/126
Y Series	250-3000	425/180
R Series	100-4500	200/87
H Series	100-4250	425/180