



CORNELL PUMP COMPANY

12NHPP Food Handling Pump

PUMP SPECIFICATION

- 12NHPP-F12K Frame mounted food handling pump
- 12" x 12" Class 125 Flanged suction and discharge
- Constructed of ASTM A48, Class 30 Cast Iron
- 21.5" impeller diameter
- 8.75" diameter by 14" length solid food handling characteristics
- Food grade packing
- Industry leading two year warranty
- Variable operating speed
- Optional mounting configurations available

PERFORMANCE CHARACTERISTICS

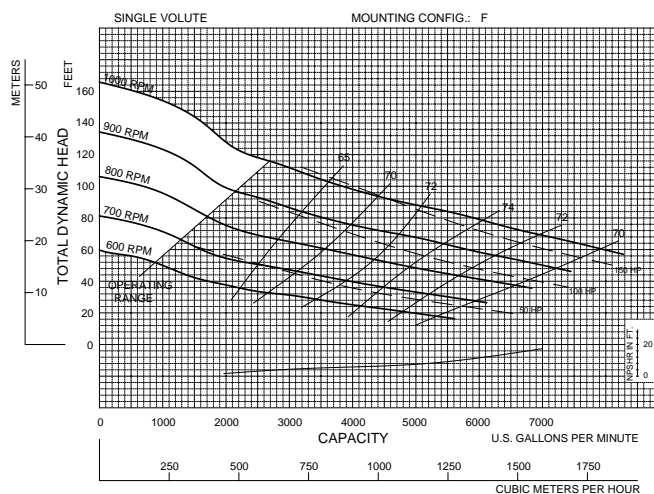
- 1000 RPM at best efficiency point (74%) - 6,050 US GPM at 79 feet TDH
- 800 RPM at best efficiency point (74%) - 4,950 US GPM at 50 feet TDH



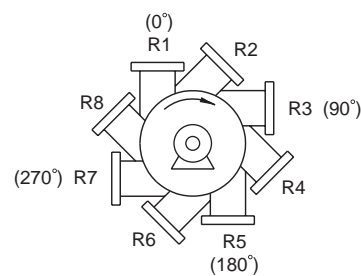
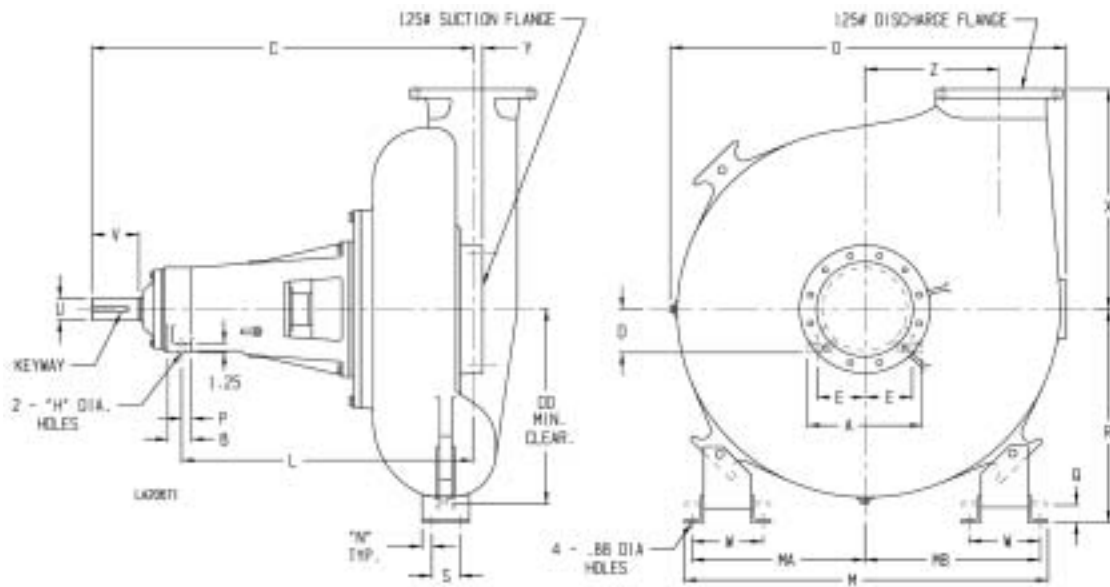
FEATURES & BENEFITS

- **Cornell's Patented Pump Design**
 - significantly reduces product damage and abrasion
- **Single Port Impeller**
 - proven feature designed specifically for handling whole or processed foods
- **Offset Volute**
 - food passes through center of discharge nozzle without contacting volute wall
- **Cycloseal® Option**
 - self-contained single mechanical seal
 - requires no external flush
 - pressure gradients move solids away from seal faces
- **Quality Materials**
 - other materials of construction available for abrasive or caustic applications

Speed	Impeller Dia.	Style	Solids Dia.	N _S	Suction	Discharge	No. vanes
VARIOUS	21.5"	ENCLOSED	8.75"x14"	2900	12	12	1



03/12/02



- Notes:**
1. Discharge positions viewed from the drive end.
 2. Consult factory for other discharge positions.

PUMP DIMENSIONS

Model	Frame	Connection		A	B	C	D	DD	E	H	L	M	MA	MB
		Disch.	Suct.											
12NHPP	F12	12	12	14.5	3	50.53	5.62	26.62	6	0.88	39.16	47.61	22.97	22.64

PUMP DIMENSIONS *(continued)*

N	O	P	Q	R	S	U	V	W	X	Y	Z	KEYWAY
1.25	54.5	1.25	2	28.28	3.5	2.88	6.5	9	32	1.25	18.62	.75 X .38

- Notes:**
1. Dimension "Q" is maximum adjustment for field weld.
 2. "V" dimension is maximum useable shaft.
 3. Frame mounting foot thickness is .75".
 4. Dimension "DD", "M", "MA", and "R" shown are for top vertical position only.
 5. Flange connection dimension can vary $\pm .12$ inch.
 6. Do not use for construction unless certified.



ISO9001:2000 CERTIFIED