



Flygt 3045.091/181

# Table of Contents

<b>Introduction</b> .....	2
Purpose of this manual.....	2
Disclaimer.....	2
Data for ordering spare parts.....	2
Specially approved products.....	2
Qualification of personnel.....	2
Dimensional accuracy inspection.....	2
<b>Product Description</b> .....	3
The data plate.....	3
Approvals.....	4
Product approvals for hazardous locations.....	4
EN approval plate.....	4
IEC approval plate.....	4
FM approval plate.....	5
Product denomination.....	5
<b>Drive and Hydraulic Units</b> .....	7
CP.....	7
CS.....	9
CF.....	11
DP.....	13
DS.....	15
DF.....	17
List of parts, drive unit.....	19
List of parts, hydraulic unit.....	22
<b>Installation Components</b> .....	23
CP/DP.....	23
CP/DP.....	24
CP/DP.....	25
CH.....	26
CF/CS/DF/DS.....	27
CF/CS/DF/DS.....	28
List of parts.....	29
<b>Service Parts</b> .....	31
List of parts.....	31

# Introduction

## Purpose of this manual

The purpose of this manual is to provide necessary information on spare parts and accessories order.

## Disclaimer

Always use genuine Flygt parts. The use of other spare parts or accessories can invalidate any claims for warranty or compensation. Xylem does not take any responsibility for damages that are caused by the use of non-original parts. For more information, contact your local sales and service representative.

## Data for ordering spare parts

The following information is needed for spare part orders:

- Serial number of the product
- Part number
- Quantity of bulk material, see \* in tables

## Specially approved products

### Qualification of personnel

Only Xylem or Xylem-authorized service personnel may undertake repair work on Ex-approved products.

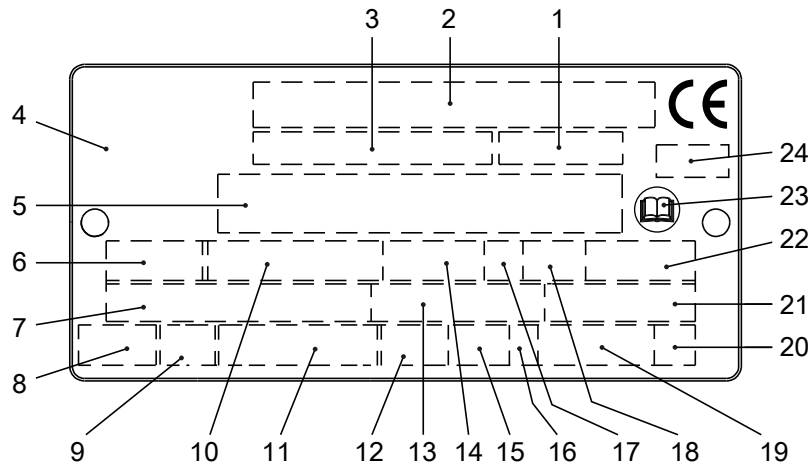
### Dimensional accuracy inspection

Spare parts marked with (Ex) after the part number are subject to dimensional accuracy inspection.

# Product Description

## The data plate

The data plate is a metal label that is located on the main body of the products. The data plate lists key product specifications. Specially approved products also have an approval plate.





WS006257A

1. Curve code or Propeller code
2. Serial number, see [Product denomination](#) (page 5)
3. Product number
4. Country of origin
5. Additional information
6. Phase; type of current; frequency
7. Rated voltage
- 8.
9. Thermal protection
10. Thermal class
11. Rated shaft power
12. International standard
13. Degree of protection
14. Rated current
15. Rated speed
16. Maximum submergence
17. Direction of rotation: L=left, R=right
18. Duty class
19. Duty factor
20. Product weight
21. Locked rotor code letter
22. Power factor
23. Maximum ambient temperature
24. Read installation manual
25. Notified body, only for EN-approved Ex products

Figure 1: The data plate

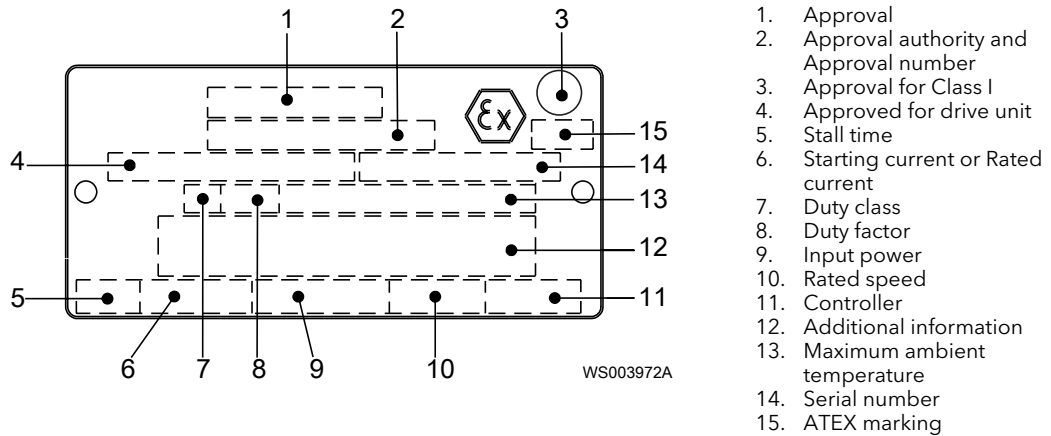
# Approvals

## Product approvals for hazardous locations

Pump	Approval
3045.091	European Norm (EN) <ul style="list-style-type: none"> <li>• ATEX Directive</li> <li>• EN 60079-0, EN 60079-1, EN 1127-1</li> <li>•  <ul style="list-style-type: none"> <li>II 2 G Ex d IIB T4</li> </ul> </li> </ul>
	EN approval for cable entry: <ul style="list-style-type: none"> <li>• Certificate number: INERIS 02ATEX9008 U</li> <li>•  <ul style="list-style-type: none"> <li>II 2 G Ex d IIC or I M2 Ex d I</li> </ul> </li> </ul>
	IEC <ul style="list-style-type: none"> <li>• IECEx scheme</li> <li>• IEC 60079-0, IEC 60079-1</li> <li>• Ex d IIB T4</li> </ul>
	FM (FM Approvals) <ul style="list-style-type: none"> <li>• Explosionproof for use in Class I, Div. 1, Group C and D</li> <li>• Dust ignition proof for use in Class II, Div. 1, Group E, F and G</li> <li>• Suitable for use in Class III, Div. 1, Hazardous Locations</li> </ul>

### EN approval plate

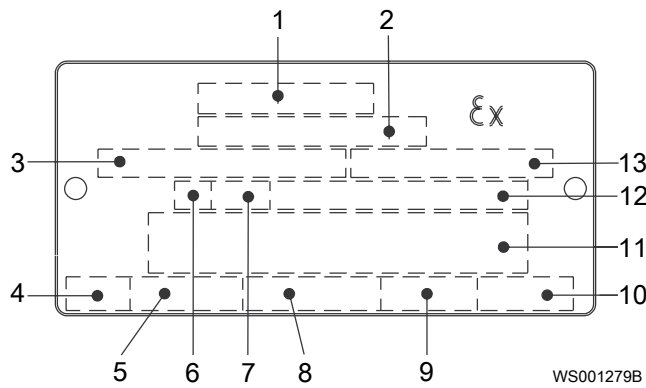
This illustration describes the EN approval plate and the information that is contained in its fields.



### IEC approval plate

This illustration describes the IEC approval plate and the information that is contained in its fields.

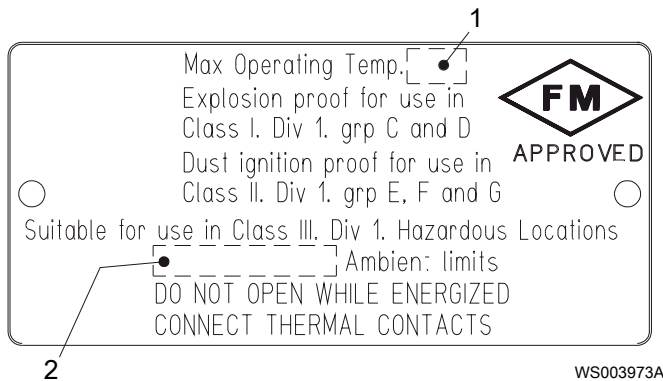
International Norm; not for EU member countries.



1. Approval
2. Approval authority and Approval number
3. Approved for drive unit
4. Stall time
5. Starting current or Rated current
6. Duty class
7. Duty factor
8. Input power
9. Rated speed
10. Controller
11. Additional information
12. Maximum ambient temperature
13. Serial number

### FM approval plate

This illustration describes the FM approval plate and the information that is contained in its fields.



1. Temperature class
2. Maximum ambient temperature

## Product denomination

### Reading instruction

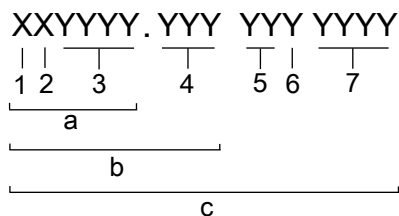
In this section, code characters are illustrated accordingly:

X = letter

Y = digit

The different types of codes are marked up with a, b and c. Code parameters are marked up with numbers.

### Codes and parameters

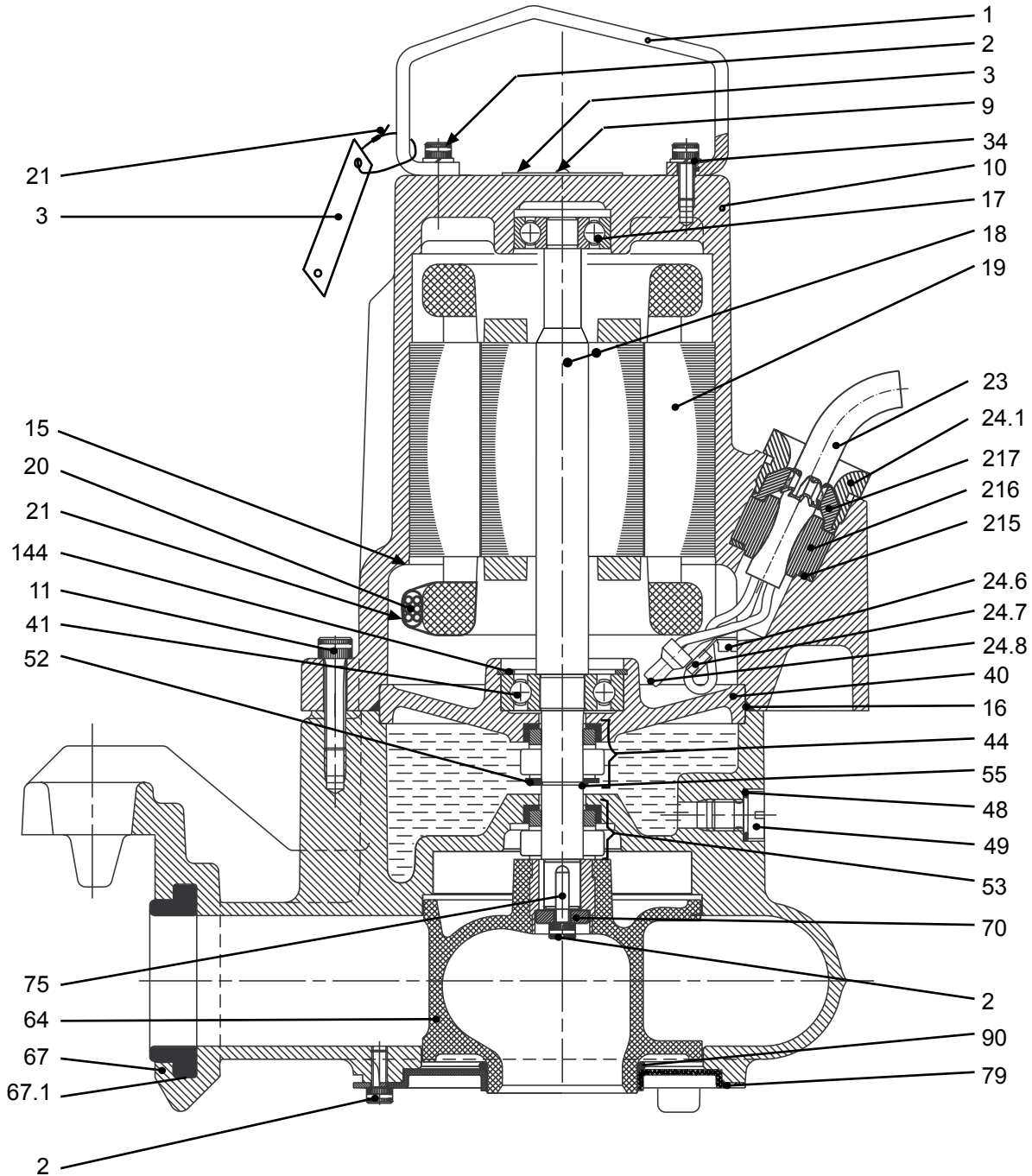


Type of Callout	Number	Indication
Type of code	a	Sales denomination
	b	Product code
	c	Serial number
Parameter	1	Hydraulic end
	2	Type of installation
	3	Sales code
	4	Version
	5	Production year
	6	Production cycle
	7	Running number

# Drive and Hydraulic Units

CP

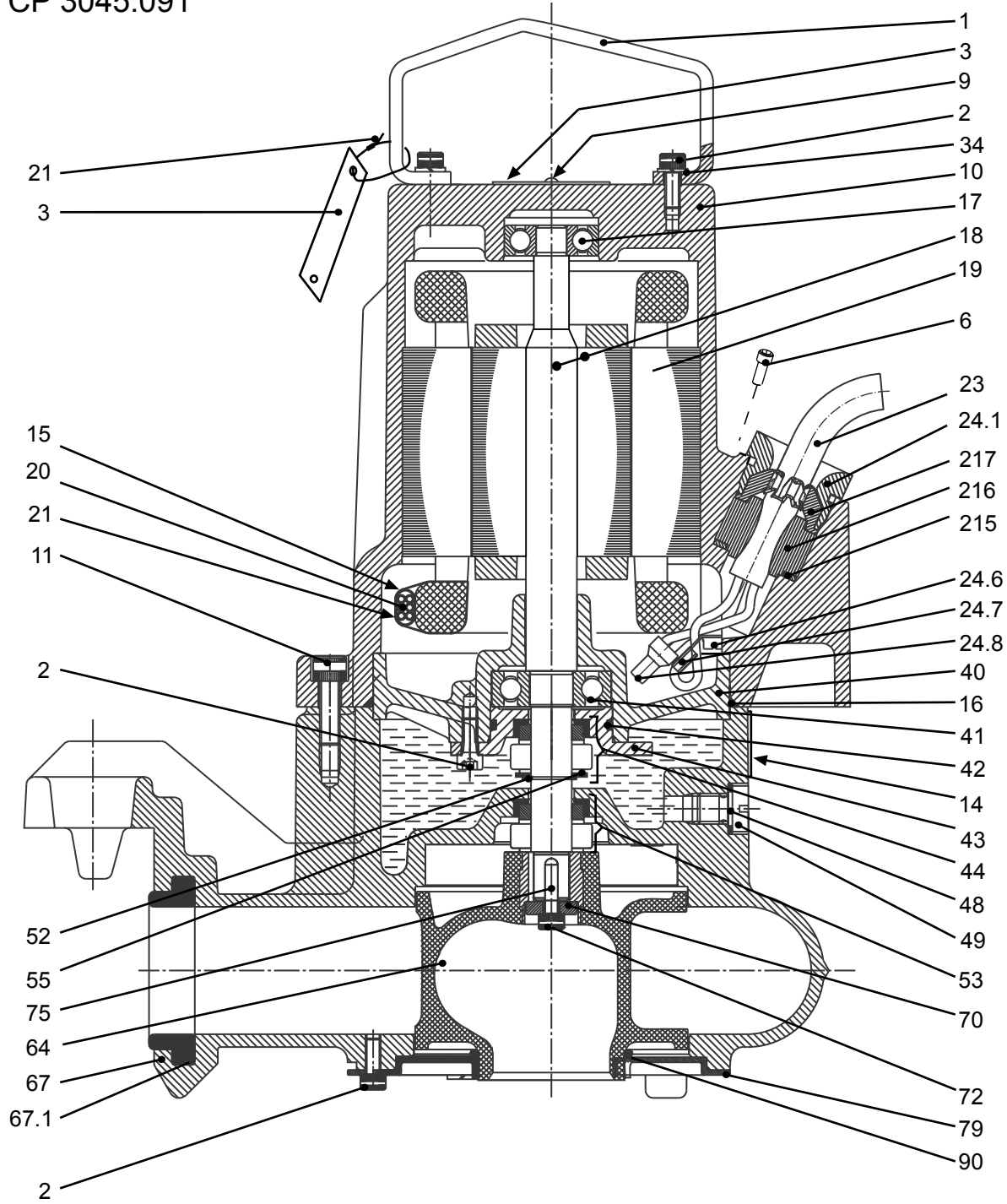
CP 3045.181



30879



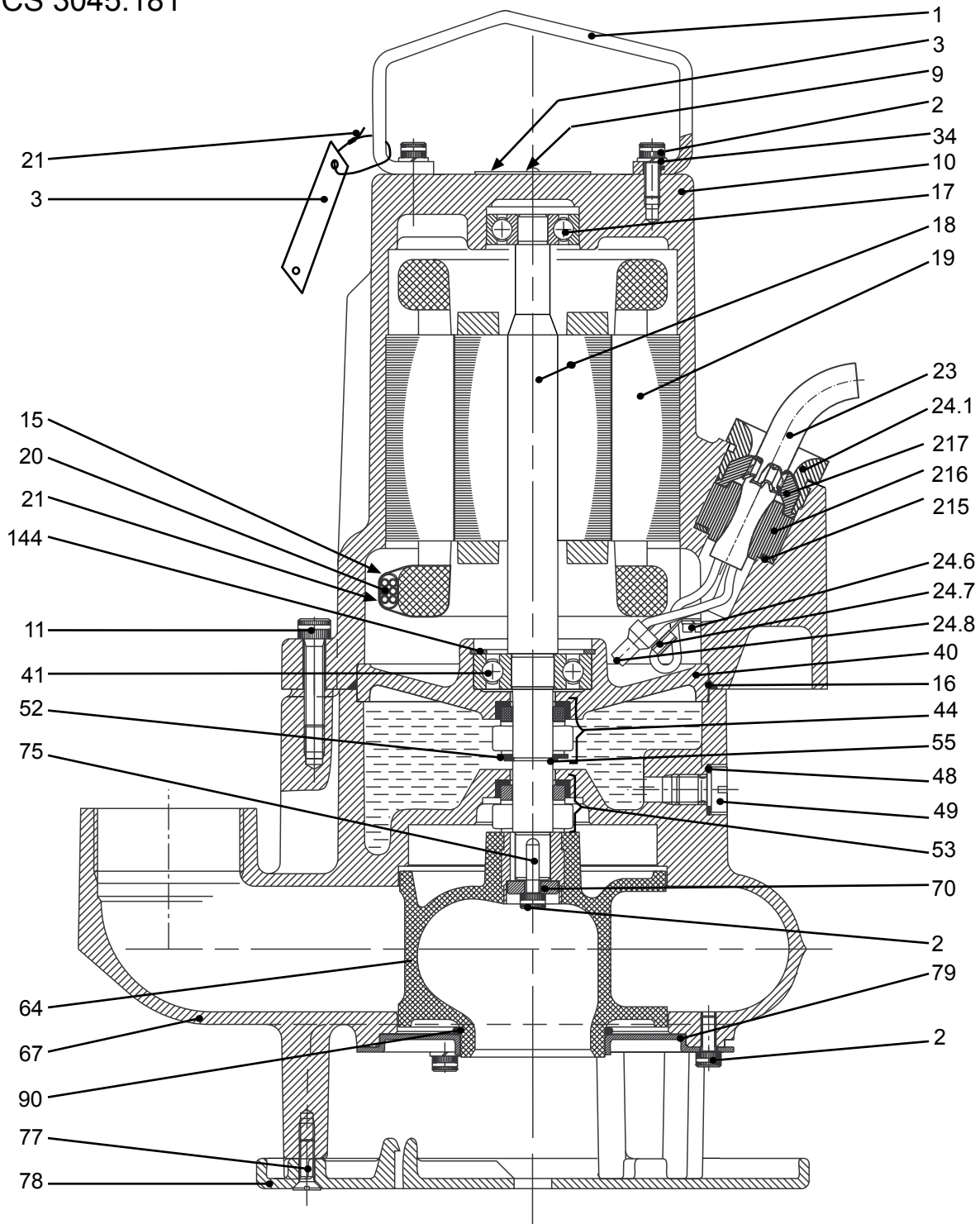
CP 3045.091



30895

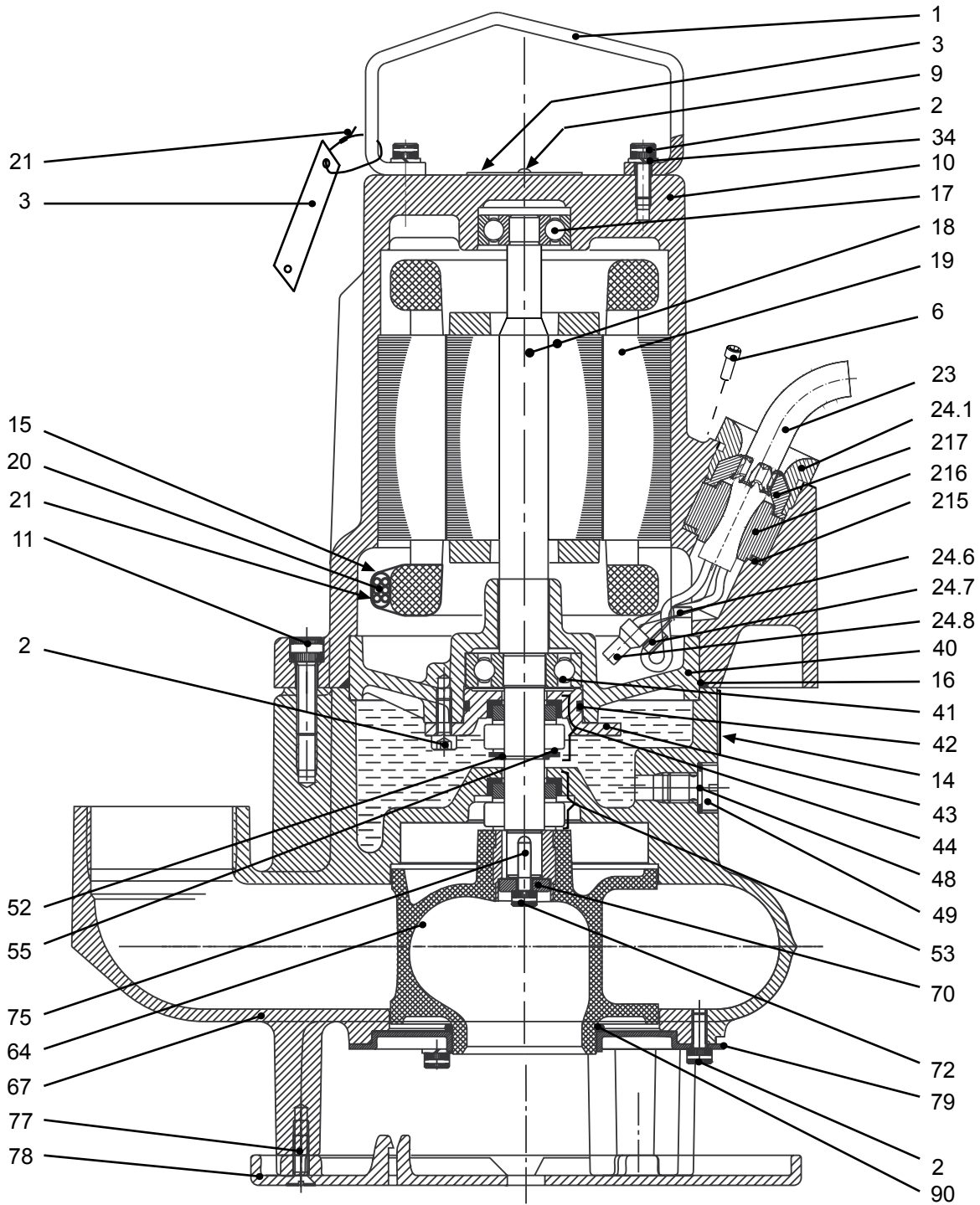
CS

CS 3045.181



30893

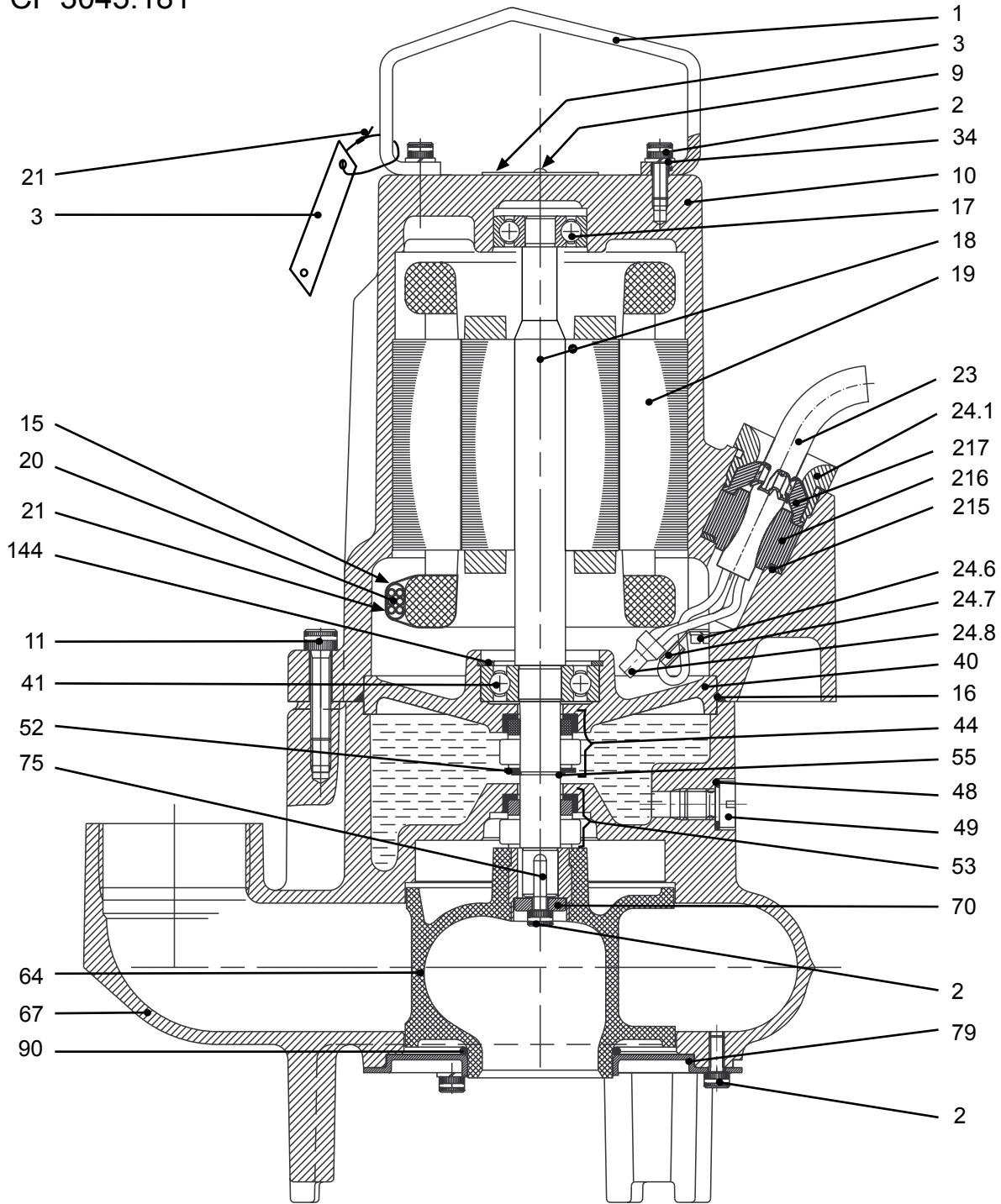
CS 3045.091



30899

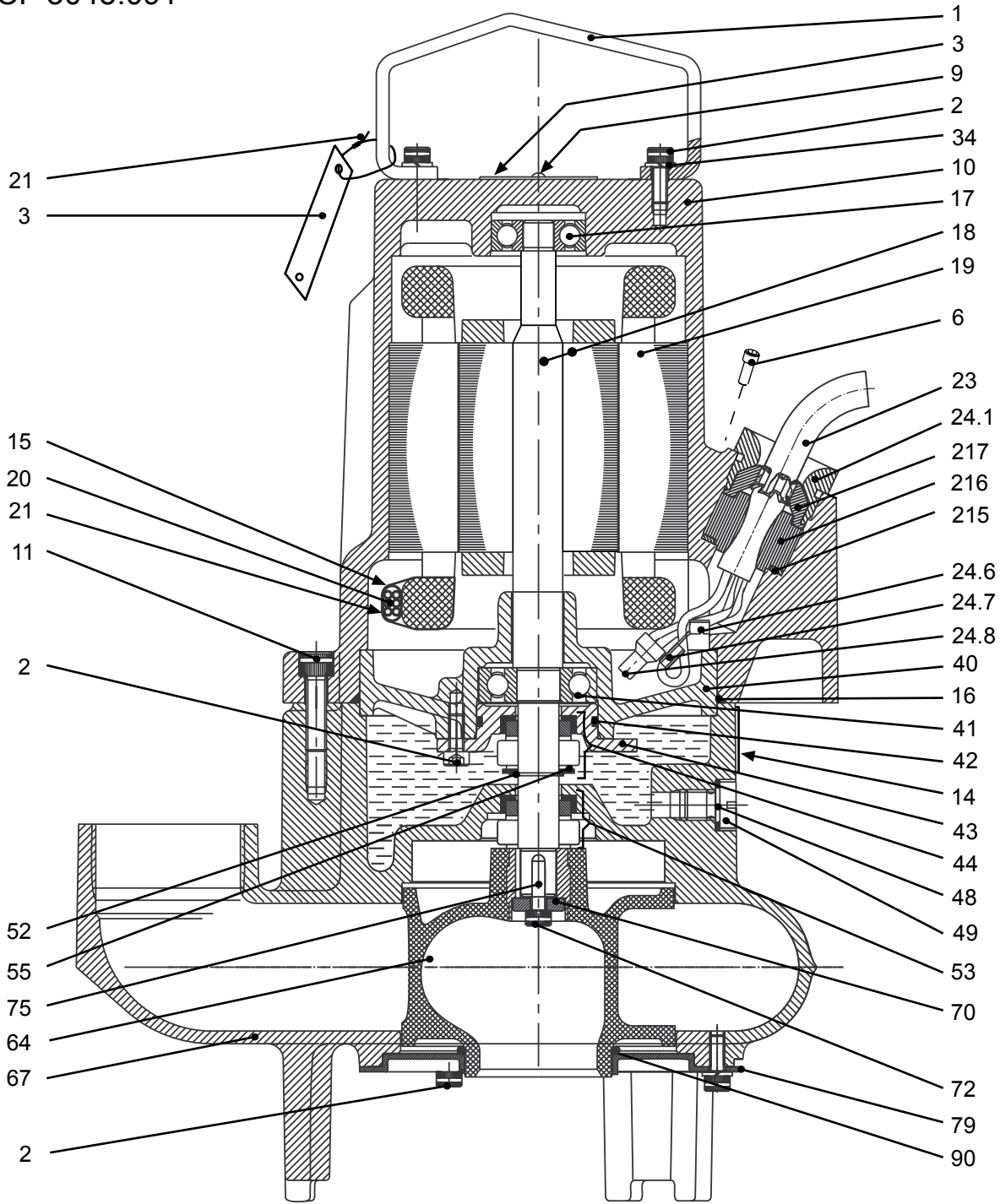
CF

CF 3045.181



30891

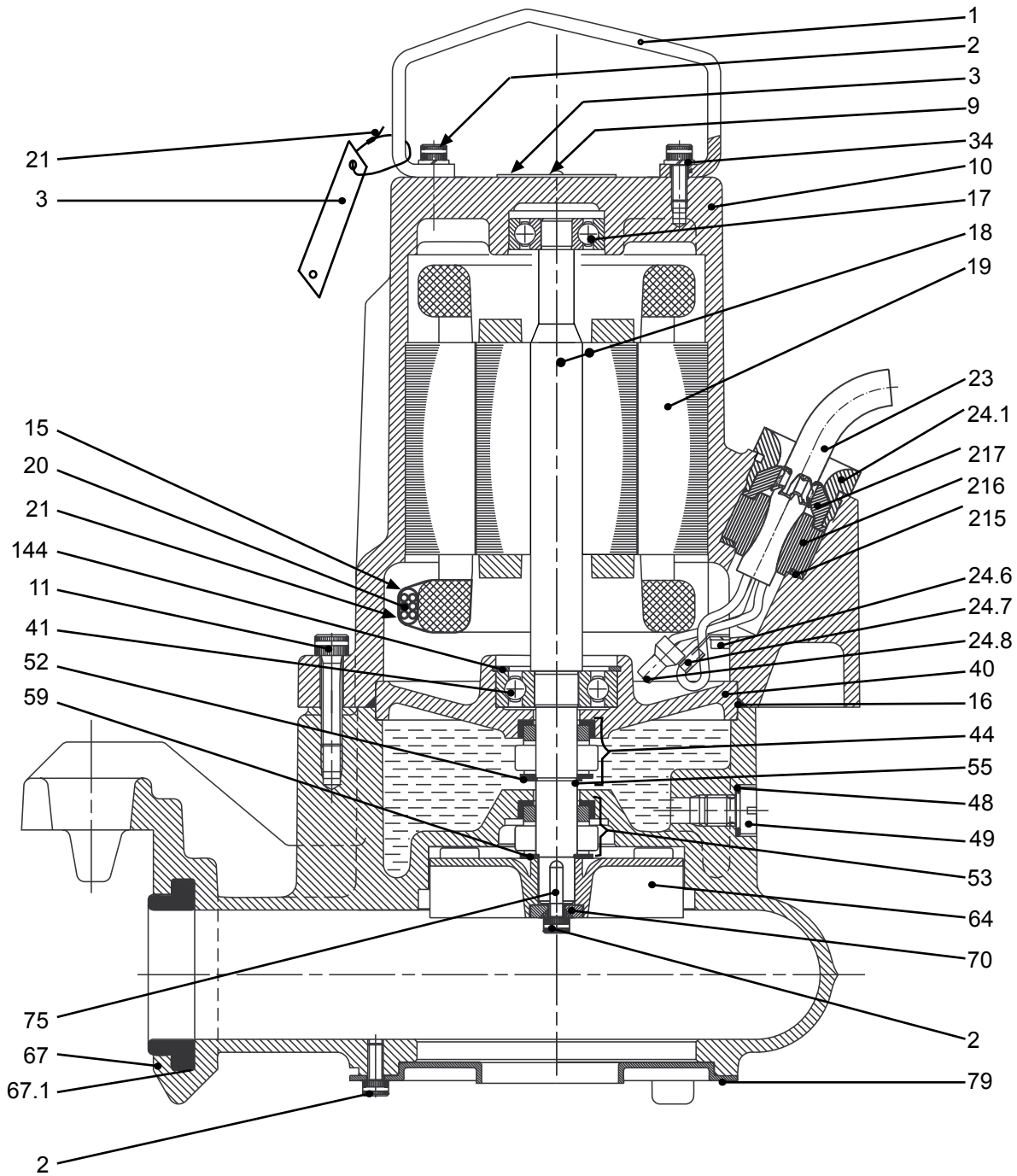
CF 3045.091



30897

DP

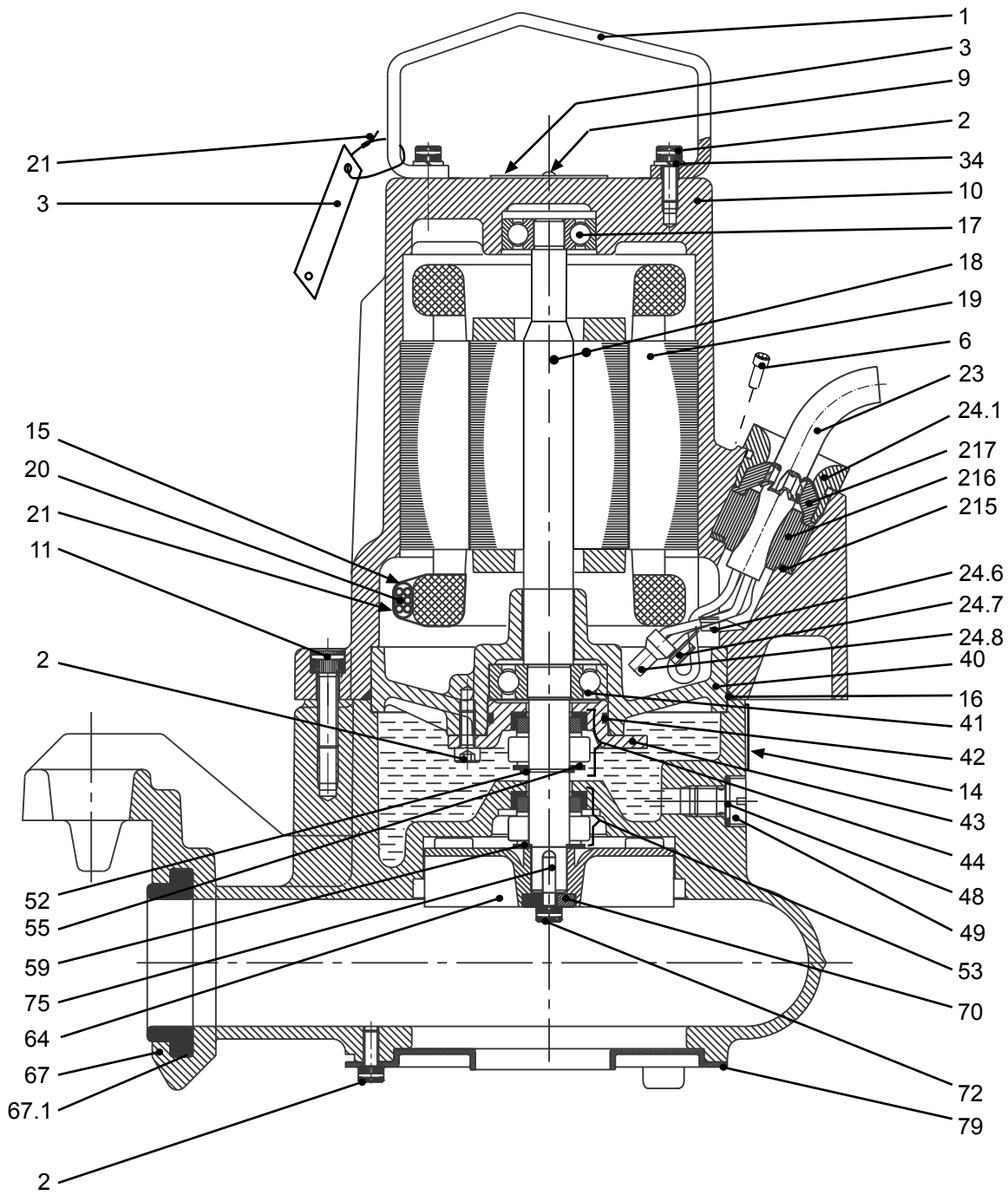
DP 3045.181



30890



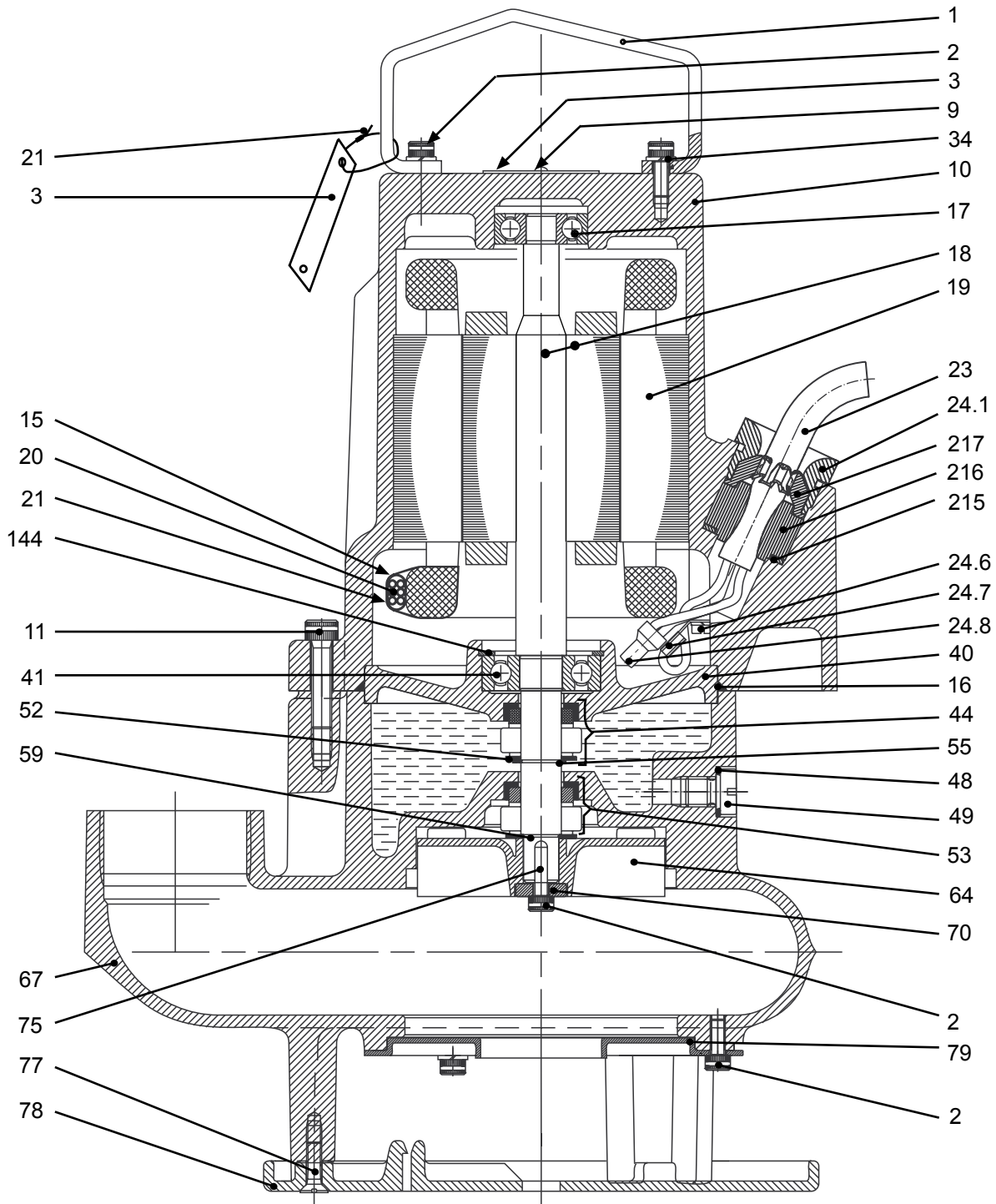
DP 3045.091



30896

DS

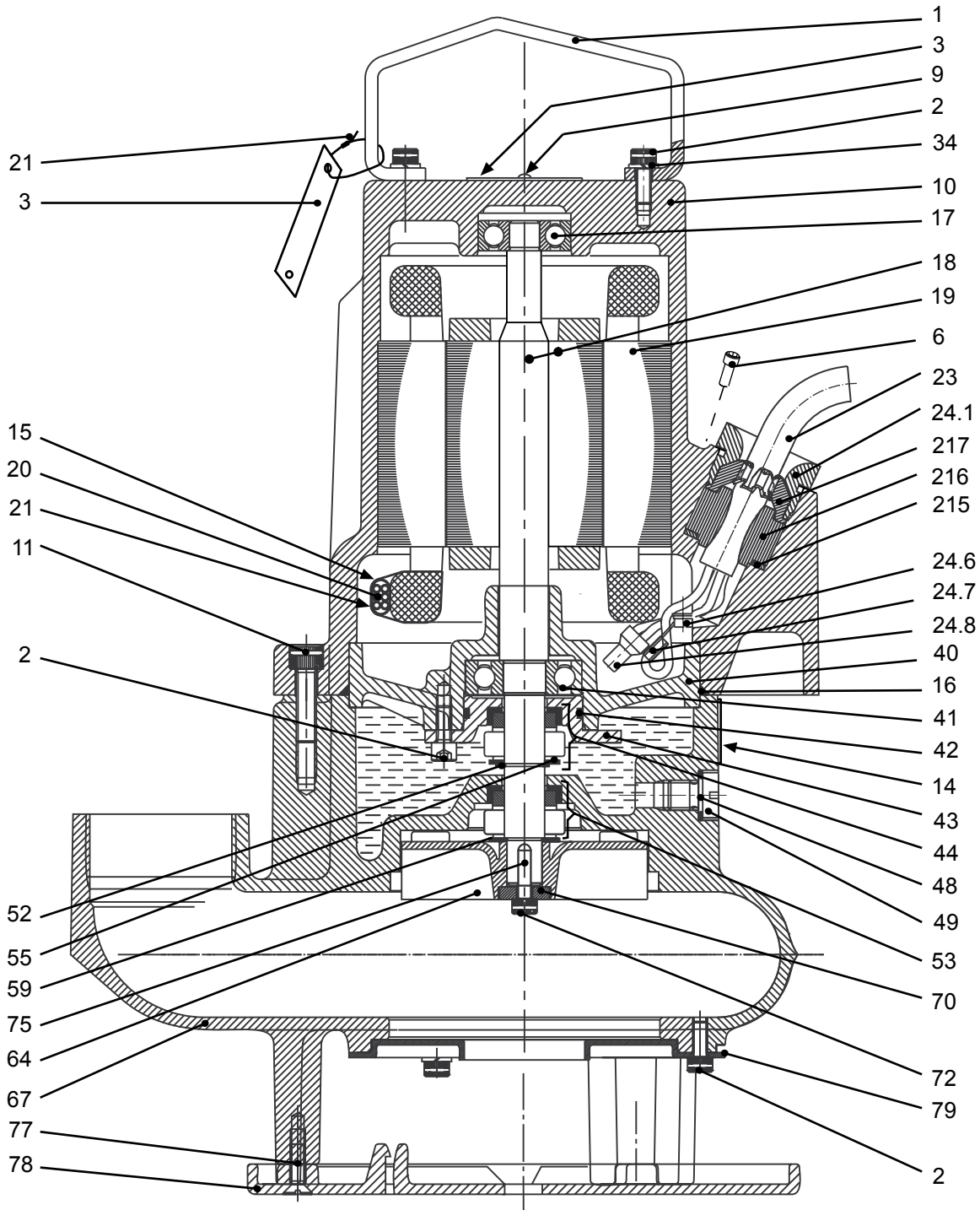
DS 3045.181



30894



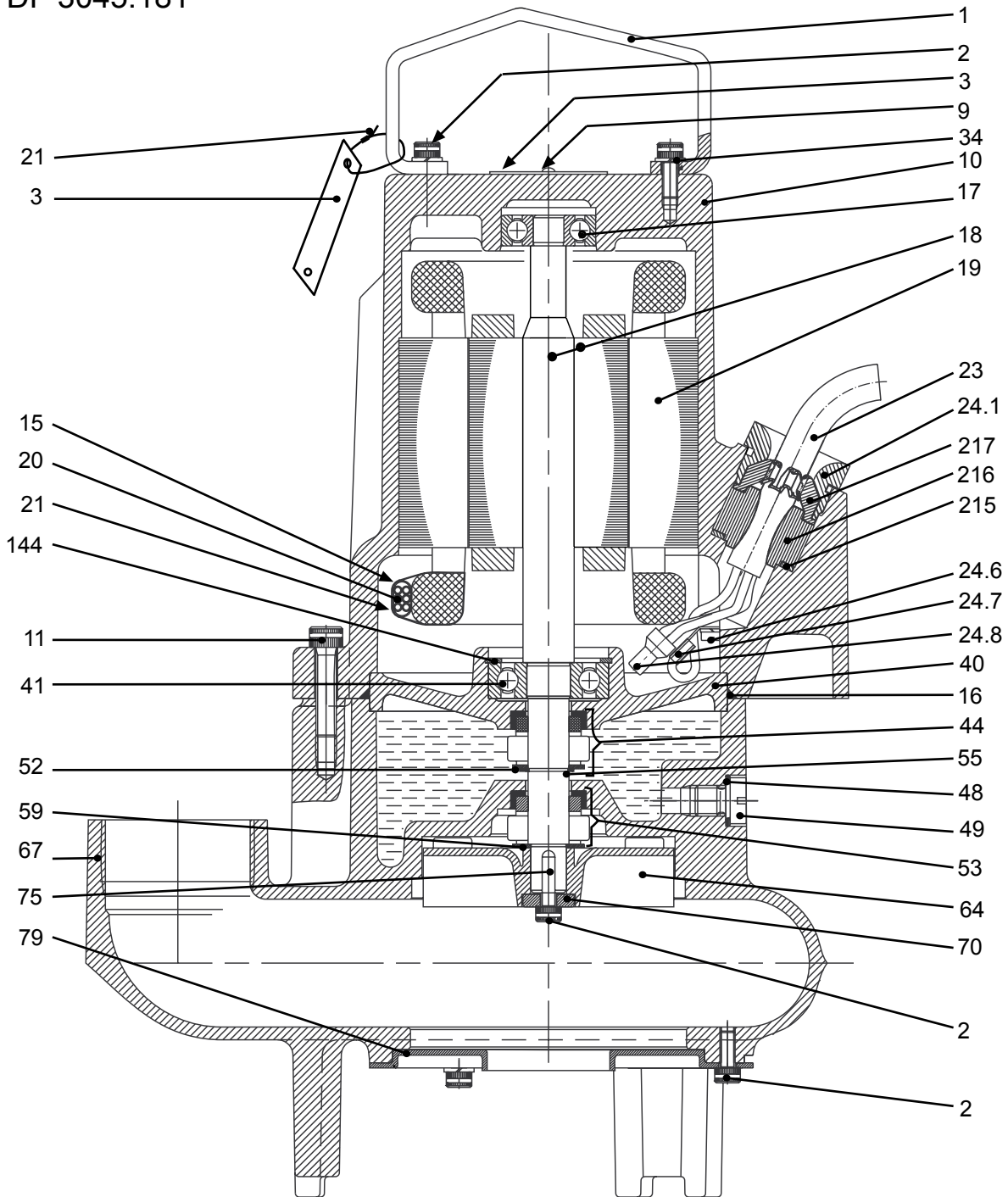
DS 3045.091



30900

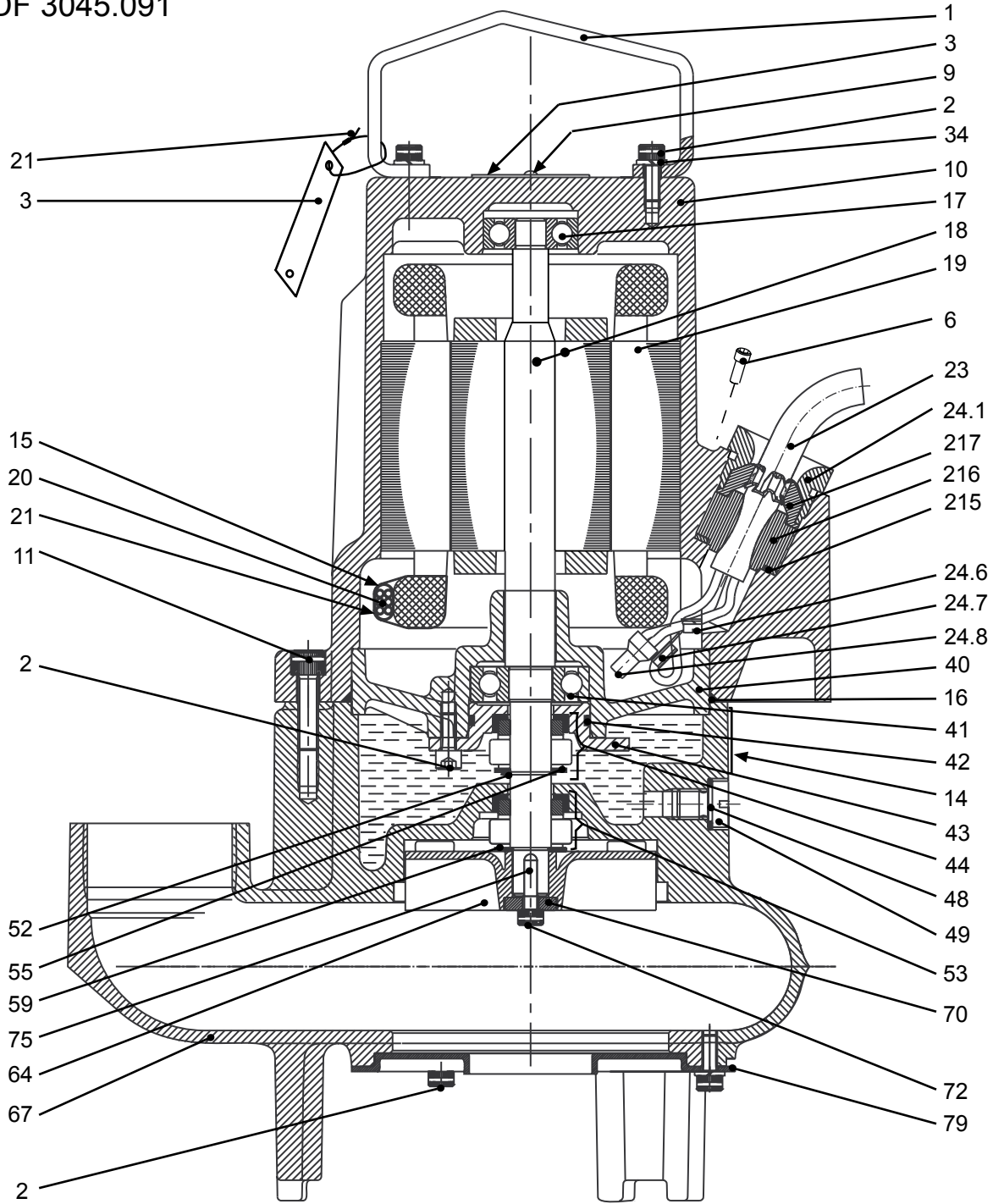
DF

DF 3045.181



30892

DF 3045.091



30898

## List of parts, drive unit

Pos. No	Part. No	Denomination	Qty/Version	
			091	181
1	611 68 01	Lifting handle	1	1
2	82 00 13	Hex.socket hd screw M6X16-A2-70	8	5
3	630 68 00	Data plate USE 6306801 AS SPARE PART	2	2
5	543 43 00	Instruction plate FCDN		1
5	594 43 00	Instruction plate		2
5	604 32 01	Sticker		1
5	761 78 00	Name plate		1
6	83 02 73	Hex.socket hd screw M6X12-A4-70	1	
9	82 20 88	Drive screw 4X5-A2-70	4	6
10	722 52 03 (Ex)	Stator housing	1	
10	722 52 00	Stator housing		1
10	722 52 01	Stator housing		1
				Automatic level control Single phase 50Hz
11	83 04 45	Hex.socket hd screw M8X35-A4-80	3	3
12,1	82 70 85	Cap 5X10 MM PVC	1	
12,2	83 44 24	Closed end splice 3-6(AWG 12-10) L=18	2	2
14	630 69 00	Certificate plate EX	2	
14	630 69 01	Certificate plate IECEX PLATE	2	
14	630 70 00	Certificate plate FM	2	
15	427 13 00	Marking tape 8129 HIGH TACK/---	1	1
15	772 17 00	Connection plate	1	1
16	82 72 91	O-ring 139.5X3 FPM	1	1
17	83 33 11	Ball bearing 6301-2Z/C3WT 12X37X12	1	1
18	682 60 01 (Ex)	Shaft unit	1	1
				Stator 1-phase 60Hz 2-poles 115V P2=0,82kW/1,1hp Max ambient temp=40 DC Thermal contact 125 DC
18	682 60 00 (Ex)	Shaft unit	1	1
				Stator 3-phase 50Hz 2-poles 380V-400V Y 220V-230V D P2=1,2kW Max ambient temp=40 DC Thermal contact 125 DC .   Stator 3-phase 60Hz 2-poles 460V-480V Y P2=1,3kW/1,8hp Max ambient temp=40 DC Thermal contact 125 DC
19	695 08 01	Stator 12-08-2b	1	1
				1-phase 60Hz 2-poles 115V P2=0,82kW/1,1hp Max ambient temp=40 DC Thermal contact 125 DC
19	695 08 02	Stator 12-08-2b	1	1
				1-phase 60Hz 2-poles 220V-230V P2=0,82kW/1,1hp Max ambient temp=40 DC Thermal contact 125 DC

Pos. No	Part. No	Denomination	Qty/Version	
			091	181
19	695 13 01	Stator 12-08-2b 3-phase 50Hz 2-poles 380V-400V Y 220V-230V D P2=1,2kW Max ambient temp=40 DC Thermal contact 125 DC .   Stator 3-phase 60Hz 2-poles 460V-480V Y P2=1,3kW/1,8hp Max ambient temp=40 DC Thermal contact 125 DC	1	1
19	695 13 02	Stator 12-08-2b 3-phase 50Hz 2-poles 690V Y 400V D P2=1,2kW Max ambient temp=40 DC Thermal contact 125 DC	1	1
19	695 13 03	Stator 12-08-2b 3-phase 50Hz 2-poles 415V-440V Y P2=1,2kW Max ambient temp=40 DC Thermal contact 125 DC	1	1
19	695 13 04	Stator 12-08-2b 3-phase 60Hz 2-poles 440V-460V YSER 220V-230V Y// P2=1,3kW/1,8hp Max ambient temp=40 DC Thermal contact 125 DC	1	1
19	695 13 05	Stator 12-08-2b 3-phase 50Hz 2-poles 500V-550V Y P2=1,2kW Max ambient temp=40 DC Thermal contact 125 DC .   Stator 3- phase 60Hz 2-poles 575V-600V Y P2=1,3kW/1,8hp Max ambient temp=40 DC Thermal contact 125 DC	1	1
19	695 13 06	Stator 12-08-2b 3-phase 50Hz 2-poles 190V-200V Y P2=1,2kW Max ambient temp=40 DC Thermal contact 125 DC .   Stator 3- phase 60Hz 2-poles 200V-220V Y P2=1,3kW/1,8hp Max ambient temp=40 DC Thermal contact 125 DC	1	1
19	695 13 07	Stator 12-08-2b 3-phase 60Hz 2-poles 380V Y 220V D P2=1,3kW/1,8hp Max ambient temp=40 DC Thermal contact 125 DC	1	1
20	83 65 00	Insulating hose DIAM=30, L=90 MM	2	2
21	83 45 59	Cable tie 200X2.4 PA 6/6 -55+105	3	3
23	94 20 61	Motor cable subcab 4G1.5+2X1.5 OD=15-16	*	*
23	94 20 82	Motor cable subcab 7G2.5+2X1.5 MM2 OD=20-22	*	
23	94 20 59	Motor cable subcab 4G2.5+2X1.5 OD = 17-18 MM	*	*
23	94 20 41	Motor cable subcab 4G1.5 OD = 10.5-11.5 MM		*
23	94 20 42	Motor cable subcab 4G2.5 OD=12.5-13.5 MM		*
24,6	82 17 61	Cutting screw TAPTITE-M6X12	2	2
24,7	83 43 58	Cable lug INSUL.UL/CSA 1.04-2.6 MM2	2	2
24,8	83 42 65	Terminal block 2 conductors	5	5
24,8	83 42 67	Terminal block 3 conductors	4	4
24,1	397 81 00	Gland screw FOR CABLE ENTRY	1	
24,1	397 81 00	Gland screw FOR CABLE ENTRY		1
34	82 35 73	Plain washer 6-A4-170	2	2

Pos. No	Part. No	Denomination	Qty/Version	
			091	181
40	611 95 00 (Ex)	Bearing holder	1	
40	611 90 00	Bearing holder		1
41	83 33 10	Ball bearing 6303-2Z	1	1
42	82 81 01	O-ring 42.2X3 FPM	1	
43	611 96 00	Bearing cover	1	
44	83 91 18	Mechanical seal AL203/CSB	1	1
48	82 79 12	O-ring 13.3X2.4 FPM	1	1
49	303 44 03	Hex.socket hd screw	1	1
52	82 60 88	Retaining ring SGA 16-2304/1.4122	1	1
53	83 91 19	Mechanical seal RSIC/RSIC	1	1
55	611 72 01	Washer 1.4303	1	1
136	220 25 02	Gland screw		1
137	82 35 76	Plain washer 10-A4-170		2
138	275 80 02	Ring		1
139	84 32 31	Level switch		1
140	84 60 48	Clip DIAM.16		1
141	82 23 29	Hexagon nut M4-A4-70		1
142	83 93 97	Protective cap		1
143	81 73 41	Slotted head screw M4X10-A4-70		1
144	82 62 04	Retaining ring SGH 47		1
166	663 85 00	Connection plate	1	
169	667 40 00	Sticker	2	2
215	82 40 61	Plain washer (10)-22 MM	1	
215	82 40 61	Plain washer (10)-22 MM		1
216	84 17 92	Seal sleeve (14)-16 MM	1	1
216	84 17 93	Seal sleeve (16)-18 MM	1	1
216	84 17 94	Seal sleeve (18)-20 MM	1	1
216	84 17 95	Seal sleeve (20)-22 MM	1	
216	84 17 90	Seal sleeve (10)-12 MM		1
216	84 17 91	Seal sleeve (12)-14 MM		1
217	678 58 16 (Ex)	Cable clip (14)-16 MM	1	1
217	678 58 18 (Ex)	Cable clip (16)-18 MM	1	1
217	678 58 20 (Ex)	Cable clip (18)-20 MM	1	1
217	678 58 22 (Ex)	Cable clip (20)-22 MM	1	
217	678 58 12 (Ex)	Cable clip (10)-12 MM		1
217	678 58 14 (Ex)	Cable clip (10)-12 MM		1

## List of parts, hydraulic unit

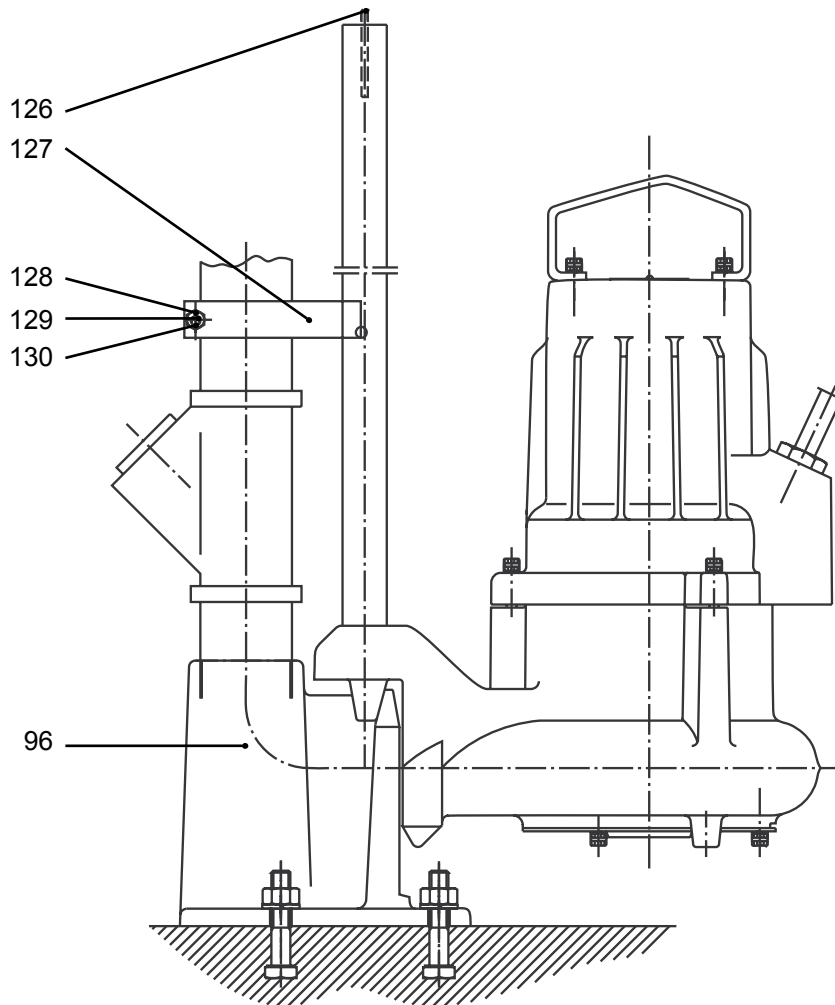
Pos. No	Part. No	Denomination	Qty/Version		
			091	181	
59	611 72 00	Washer 1.4303	1	1	
64	611 71 00	Torque flow impeller	Medium head "D-MT" Vortex, Curve no: 230, 50 Hz, 3-phase	1	1
64	611 71 02	Torque flow impeller	Medium head "D-MT" Vortex, Curve no: 234, 50/60 Hz, 3-phase	1	1
64	611 71 03	Torque flow impeller	Medium head "D-MT" Vortex, Curve no: 236, 60 Hz, 3-phase, 1-phase	1	1
64	611 70 00	Impeller	High head "C-HT" Single-vane, Curve no: 250, 50 Hz, 3-phase	1	1
64	611 70 01	Impeller	High head "C-HT" Single-vane, Curve no: 252, 50/60 Hz, 3-phase	1	1
64	611 70 02	Impeller	High head "C-HT" Single-vane, Curve no: 254, 60 Hz, 3-phase, 1-phase	1	1
67	611 65 00	Pump housing	HT MT C D DN 50 ISO G2 Grey cast iron Installation: F	1	1
67	611 65 01	Pump housing	HT MT C D DN 50 2-11 1/2 NPT Grey cast iron Installation: F	1	1
67	611 64 00	Pump housing	HT MT C D DN 50 Sliding bracket Grey cast iron Installation: P	1	1
67,1	555 59 01	Seal ring PERBUNAN, GREY		1	1
70	611 69 00	Washer 1.4303		1	1
72	82 00 13	Hex.socket hd screw M6X16-A2-70		1	1
75	80 75 76	Parallel key		1	1
77	81 93 93	Slotted head screw M6X20-A4-70		3	3
78	516 24 00	Strainer bottom POLYETHYL. PEHD		1	1
79	555 65 01	Suction cover	D-impeller MT 50Hz 3-phase Max ambient temp=40 DC Mtrl. Polyamid (PA)	1	1
79	555 65 00	Suction cover	C-impeller HT 50Hz 3-phase Max ambient temp=40 DC Mtrl. Polyamid (PA)	1	1
90	82 74 63	O-ring 49.5X3 NBR		1	1

# Installation Components

## CP/DP

Twin guide bars

CP/DP 3045



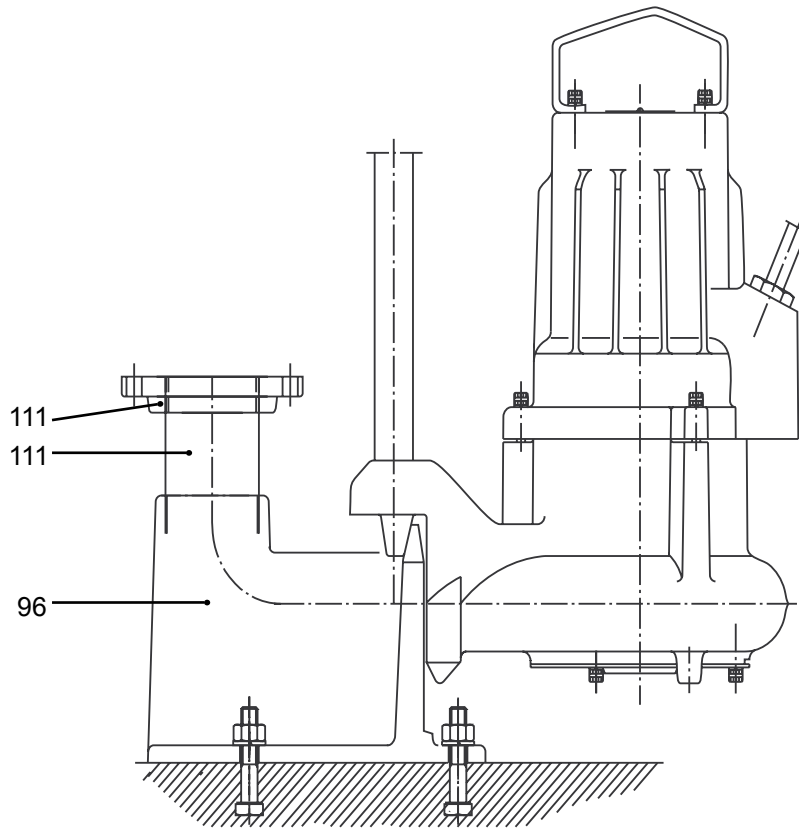
30637



# CP/DP

Coupling

CP/DP 3045

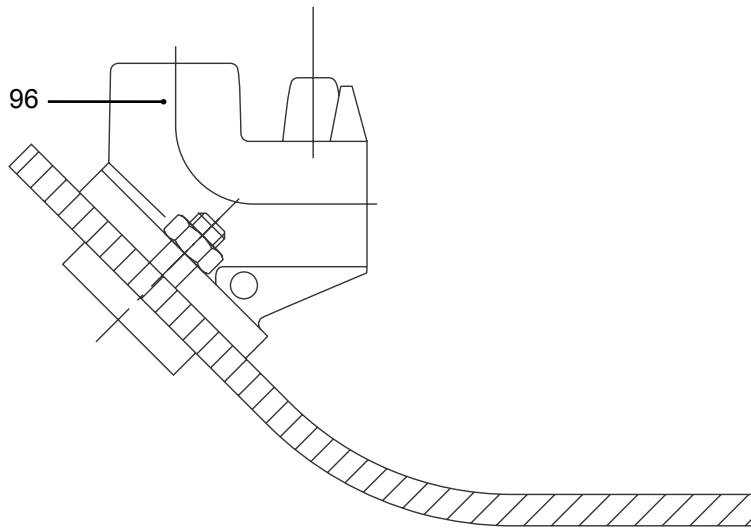


30643

CP/DP

TOP

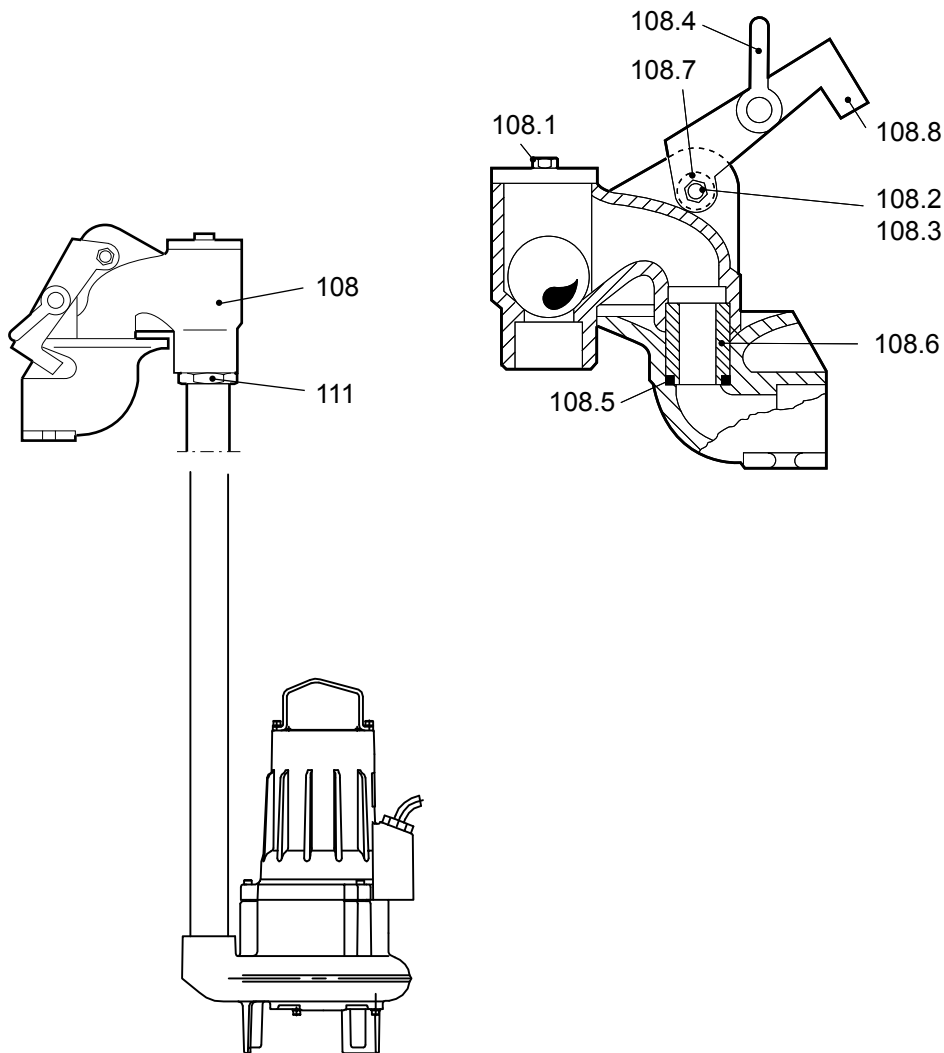
CP/DP 3045/3057  
TOP 50/65



30642

# CH

## CH 3045 HT

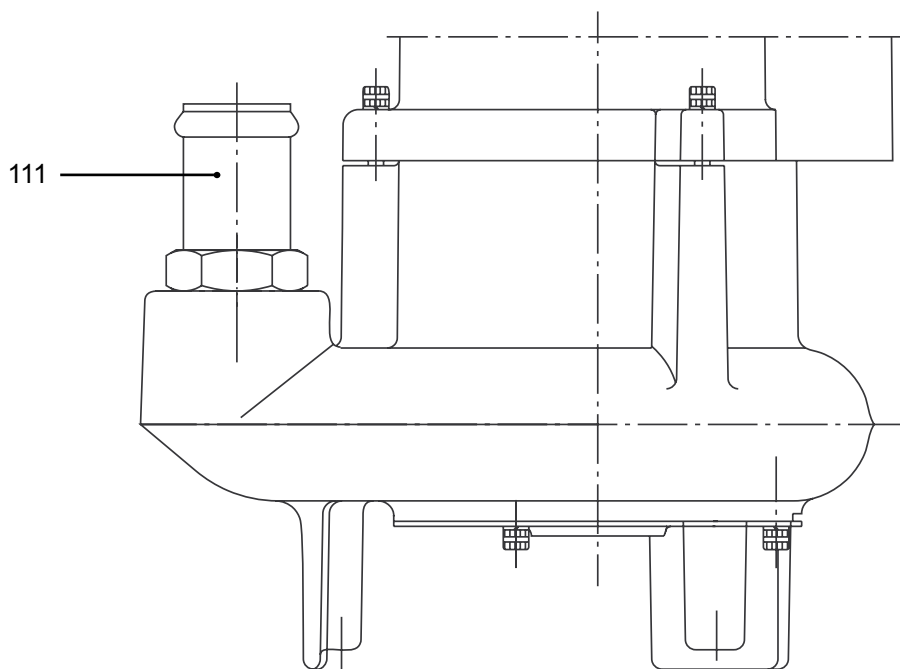


31408

CF/CS/DF/DS

Hose

CF/CS/DF/DS 3045/3057

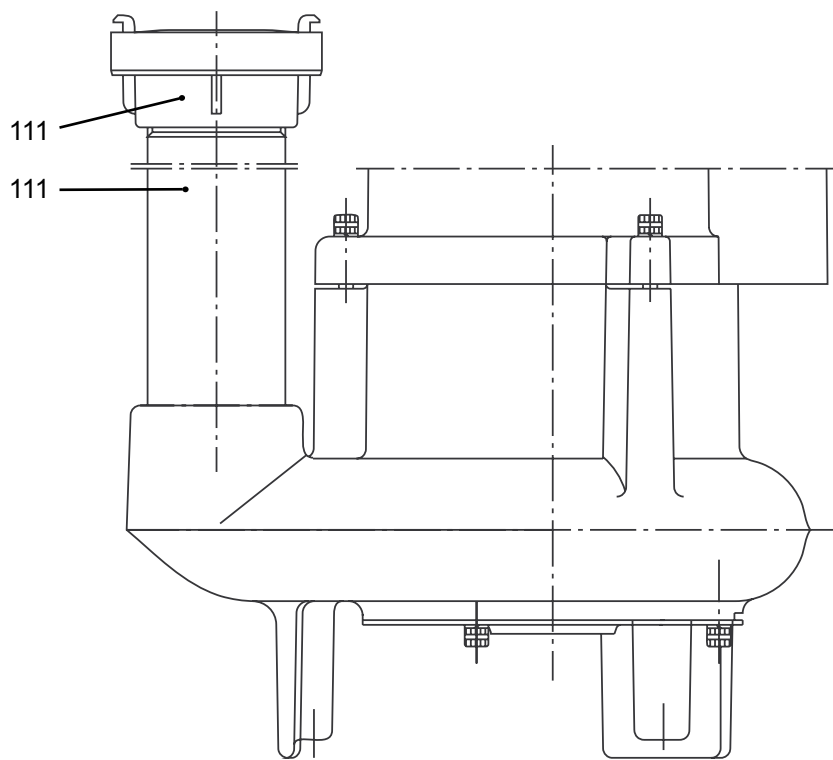


30640

# CF/CS/DF/DS

Quick coupling

CF/CS/DF/DS 3045/3057



30641

## List of parts

Pos. No	Part. No	Denomination	Qty/Version		
			091	181	
96	486 55 00	Discharge connection IN/OUT 50/50 MM	Installation P Hydraulic: C D Thread : ISO G2 Inner DN 50	1	1
96	486 55 01	Discharge connection IN/OUT 50/50 MM	Installation P Hydraulic: C D Thread : NPT 2-11 1/2 Inner DN 50	1	1
96	619 95 00	Discharge con.stat. IN/OUT 50/50 MM	TOP 50 TOP 65 Installation P Hydraulic: C D Thread : ISO G2 Inner DN 50	1	1
96	619 95 01	Discharge con.stat. IN/OUT 50/50 MM	TOP 50 TOP 65 Installation P Hydraulic: C D Thread : NPT 2-11 1/2 Inner DN 50	1	1
96	555 48 00	Discharge con.stat. IN/OUT 50/R3"	Installation P Hydraulic: C D Thread : ISO G3 Inner DN 50	1	1
96	555 48 01	Discharge connection NPT 3-8	Discharge connection Installation P Hydraulic: C D Thread : 3-8 NPT Inner DN 50	1	1
101	669 77 00	Guide bracket unit SS			1
108	461 16 00	Discharge connection			1
108,1	81 41 32	Hexagon head screw M10X30-A2-70			2
108,2	81 41 32	Hexagon head screw M10X30-A2-70			1
108,3	82 23 33	Hexagon nut M10-A4-70			1
108,4	82 33 15	Shackle			1
108,5	82 77 47	O-ring			1
108,6	464 40 00	Muff			1
108,7	464 41 00	Bush			1
108,8	464 43 00	Clamping piece			1
111	83 05 60	Nipple pipe CONN. 80 GALV		1	1
111	83 15 35	Flange DN 80		1	1
111	83 91 99	Coupling	DN 50 Thread : NPT 2-11 1/2	1	1
111	83 92 71	Coupling POLYPROPYLENE PP R 2		1	1
111	83 05 09	Nipple pipe CONN. 50, L=180 MM		1	1
111	83 18 24	Coupling part DN52 INNER G2B STORZ		1	1
111	83 19 31	Coupling part DN52 FOR HOSE 2" STORZ		1	1
126	495 27 00	Clip			1
127	495 26 00	Clip			1
128	81 55 59	Hexagon head screw M8X65-A4-70		1	1
129	82 23 32	Hexagon nut M8-A4-70			1
130	82 35 74	Plain washer 8-A4-170		1	1
134	554 23 31	Starter START 156, 1-PHASE		1	1
134	554 30 02	Starter 351-400-B-516-4		1	1
134	84 60 25	Starter 1-PHASE 230 V 50 HZ			1

Pos. No	Part. No	Denomination	Qty/Version	
			091	181
134	554 29 00	Starter START 156-A		1
134	554 29 01	Starter START 156-A		1
134	554 20 01	Starter 356-600-A-PG-2,5		1
134	554 20 02	Starter 356-600-A-PG-4		1
134	554 20 03	Starter 356-600-A-PG-6,3		1

# Service Parts

## List of parts

Pos. No	Part. No	Denomination	Qty/Version	
			091	181
800	83 10 33	O-ring kits	1	1
900	601 89 49	Basic repair kit	1	1
901	90 17 52	Oil	*	*
904	514 92 03	Puller compl.		1
904	611 91 00	Mounting socket 1.4301		1