

Flygt 4430



Table of Contents

1 Introduction.....	2
1.1 Specially approved products.....	2
2 Product Description.....	3
2.1 The data plate.....	3
2.2 Approvals.....	3
2.3 Product denomination.....	4
3 Exploded View.....	6
3.1 Drive unit.....	6
3.2 Hydraulic unit.....	7
3.3 Installation components.....	8
4 List of Parts.....	11
4.1 4430.010/090.....	11

1 Introduction

Purpose of this manual

The purpose of this manual is to provide necessary information on spare parts and accessories order.

Disclaimer

Always use genuine Flygt parts. The use of other spare parts or accessories can invalidate any claims for warranty or compensation. Xylem does not take any responsibility for damages that are caused by the use of non-original parts. For more information, contact your local sales and service representative.

Data for ordering spare parts

The following information is needed for spare part orders:

- Serial number of the product
- Part number
- Quantity of bulk material, see * in tables

1.1 Specially approved products

Qualification of personnel

Only Xylem or Xylem-authorized service personnel may undertake repair work on specially approved products.

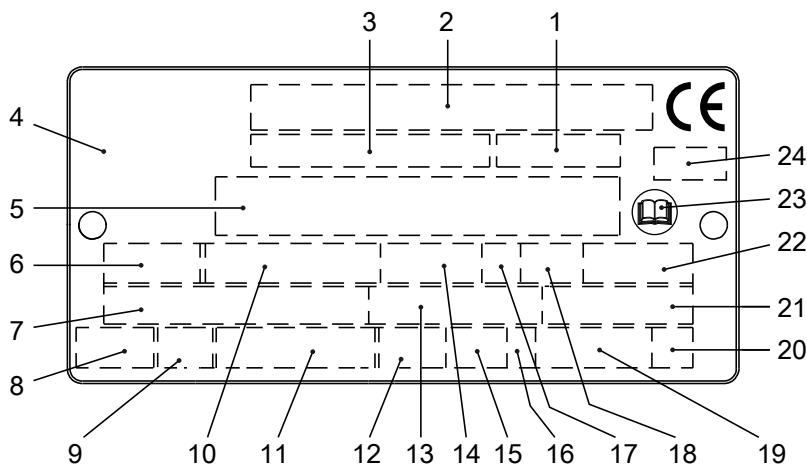
Dimensional accuracy inspection

Spare parts marked with (Ex) after the part number are subject to dimensional accuracy inspection when used in specially approved products.

2 Product Description

2.1 The data plate

The data plate is a metal label that is located on the main body of the products. The data plate lists key product specifications. Specially approved products also have an approval plate.



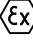
WIS006257A

1. Curve code or Propeller code
2. Serial number
3. Product number
4. Country of origin
5. Additional information
6. Phase; type of current; frequency
7. Rated voltage
8. Thermal protection
9. Thermal class
10. Rated shaft power
11. International standard
12. Degree of protection
13. Rated current
14. Rated speed
15. Maximum submergence
16. Direction of rotation: L=left, R=right
17. Duty class
18. Duty factor
19. Product weight
20. Locked rotor code letter
21. Power factor
22. Maximum ambient temperature
23. Read installation manual
24. Notified body, only for EN-approved Ex products

Figure 1: The data plate

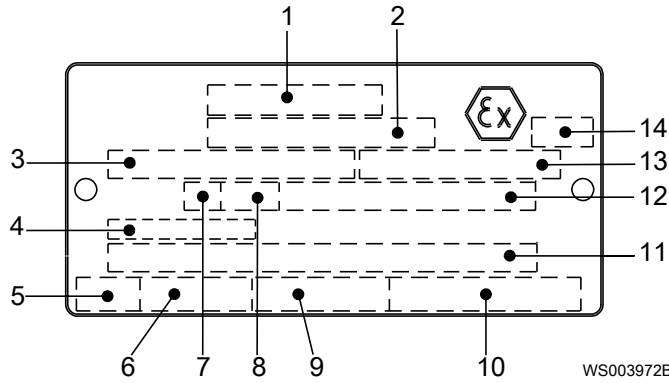
2.2 Approvals

Product approvals for hazardous locations

Product	Approval
4430.090	European Norm (EN) <ul style="list-style-type: none"> • ATEX Directive • EN 60079-0:2012/A11:2013, EN 60079-1:2007, EN 13463-1:2009, EN 13463-5:2011 •  II 2 G c Ex d IIB T4 Gb
	IEC <ul style="list-style-type: none"> • IECEx scheme • IEC 60079-0, IEC 60079-1 • Ex d IIB T4 Gb

EN approval plate

This illustration describes the EN approval plate and the information that is contained in its fields.

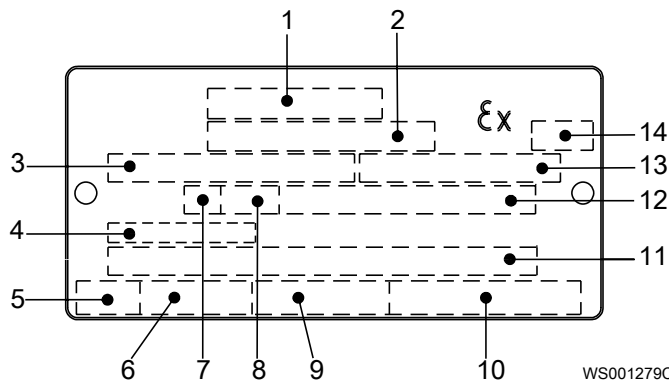


1. Approval
2. Approval authority and Approval number
3. Approved for drive unit
4. Cable entry temperature
5. Stall time
6. Starting current or Rated current
7. Duty class
8. Duty factor
9. Input power
10. Rated speed
11. Additional information
12. Maximum ambient temperature
13. Serial number
14. ATEX marking

IEC approval plate

This illustration describes the IEC approval plate and the information that is contained in its fields.

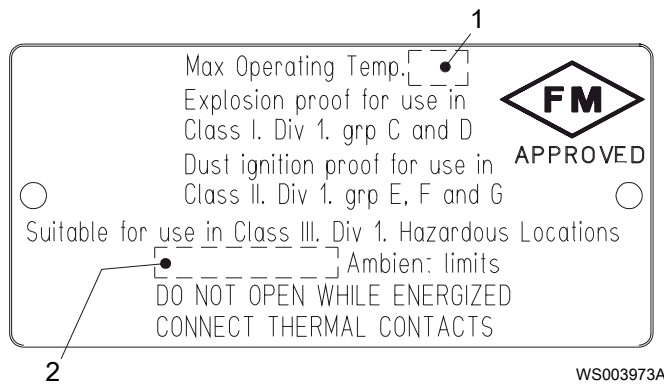
International Norm; not for EU member countries.



1. Approval
2. Approval authority and Approval number
3. Approved for drive unit
4. Cable entry temperature
5. Stall time
6. Starting current or Rated current
7. Duty class
8. Duty factor
9. Input power
10. Rated speed
11. Additional information
12. Maximum ambient temperature
13. Serial number
14. ATEX marking

FM approval plate

This illustration describes the FM approval plate and the information that is contained in its fields.



1. Temperature class
2. Maximum ambient temperature

2.3 Product denomination

Reading instruction

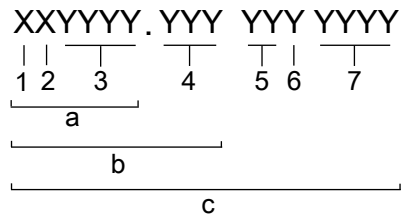
In this section, code characters are illustrated accordingly:

X = letter

Y = digit

The different types of codes are marked up with a, b and c. Code parameters are marked up with numbers.

Codes and parameters



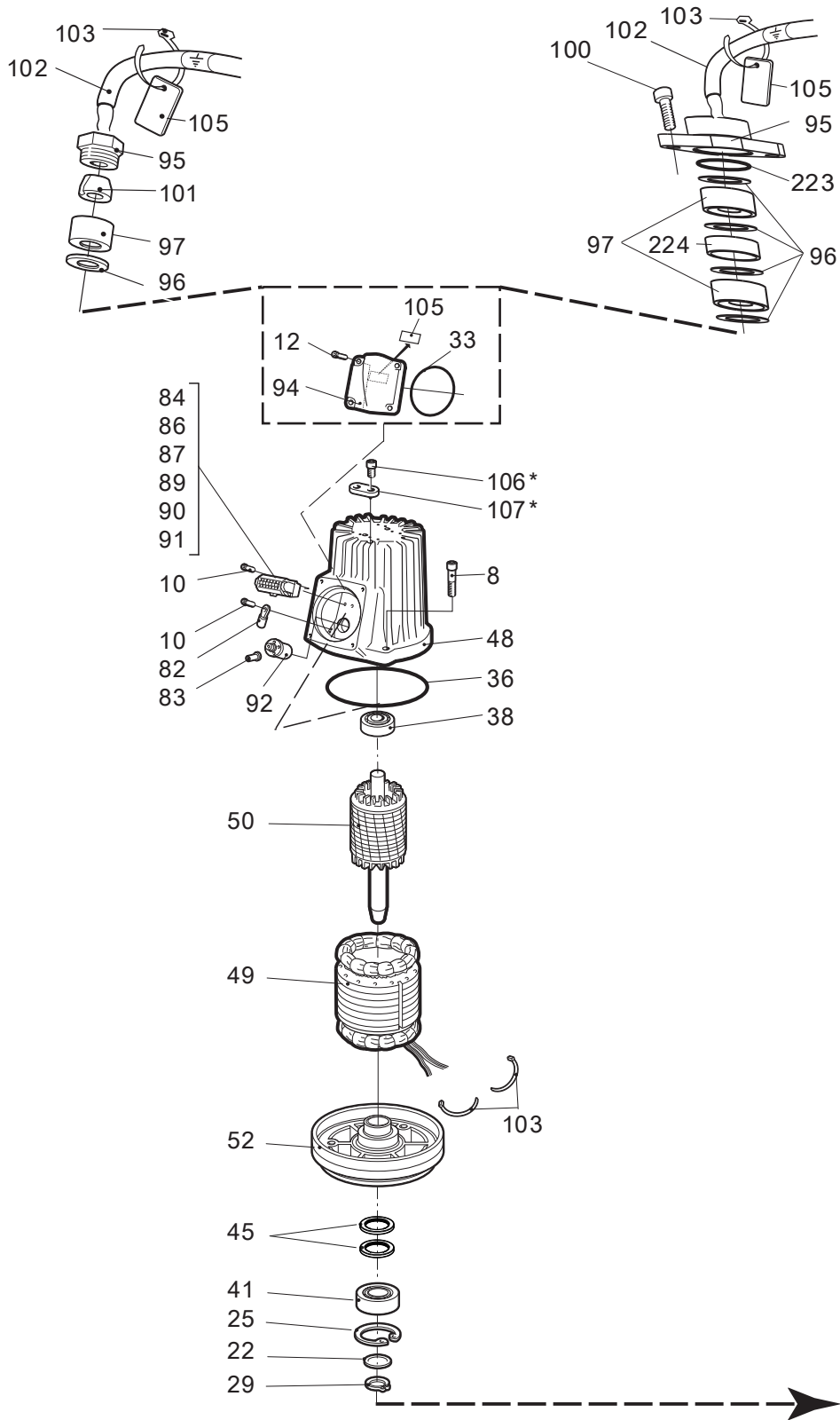
WS006265B

Type of Callout	Number	Indication
Type of code	a	Sales denomination
	b	Product code
	c	Serial number
Parameter	1	Hydraulic end
	2	Type of installation
	3	Sales code
	4	Version
	5	Production year
	6	Production cycle
	7	Running number

3 Exploded View

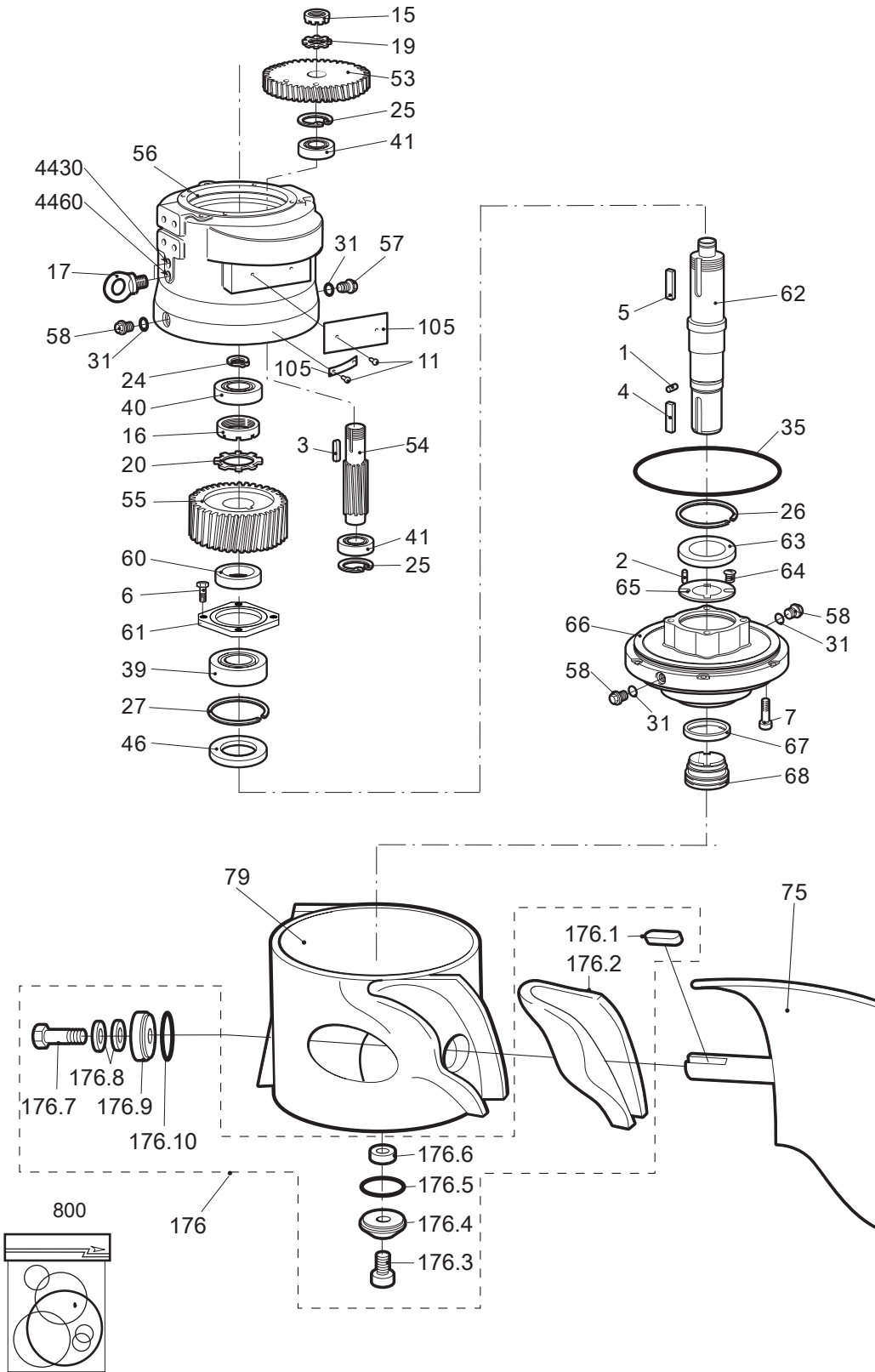
3.1 Drive unit

4430



40919C

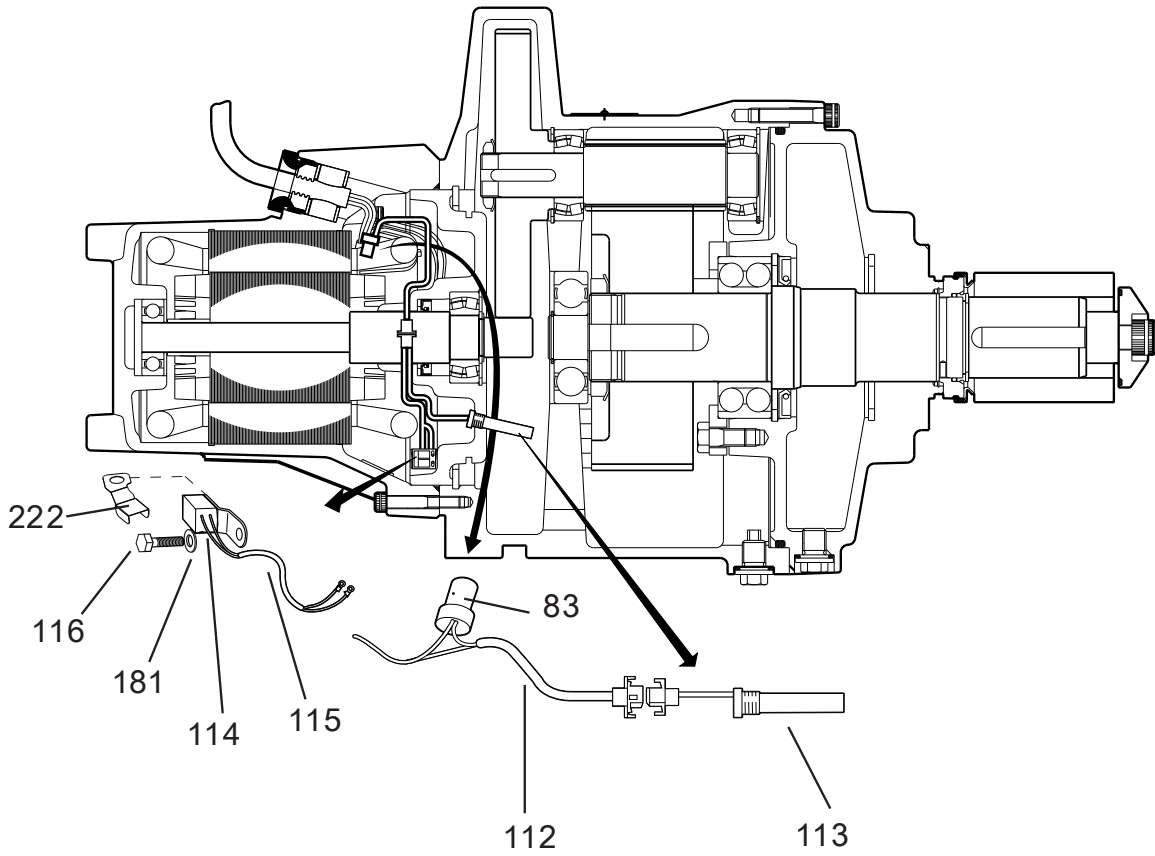
3.2 Hydraulic unit



4079 1D

3.3 Installation components

4410 /4430 /4460/4530



40822E

Figure 2: Leakage sensors

4410 / 4430 / 4460

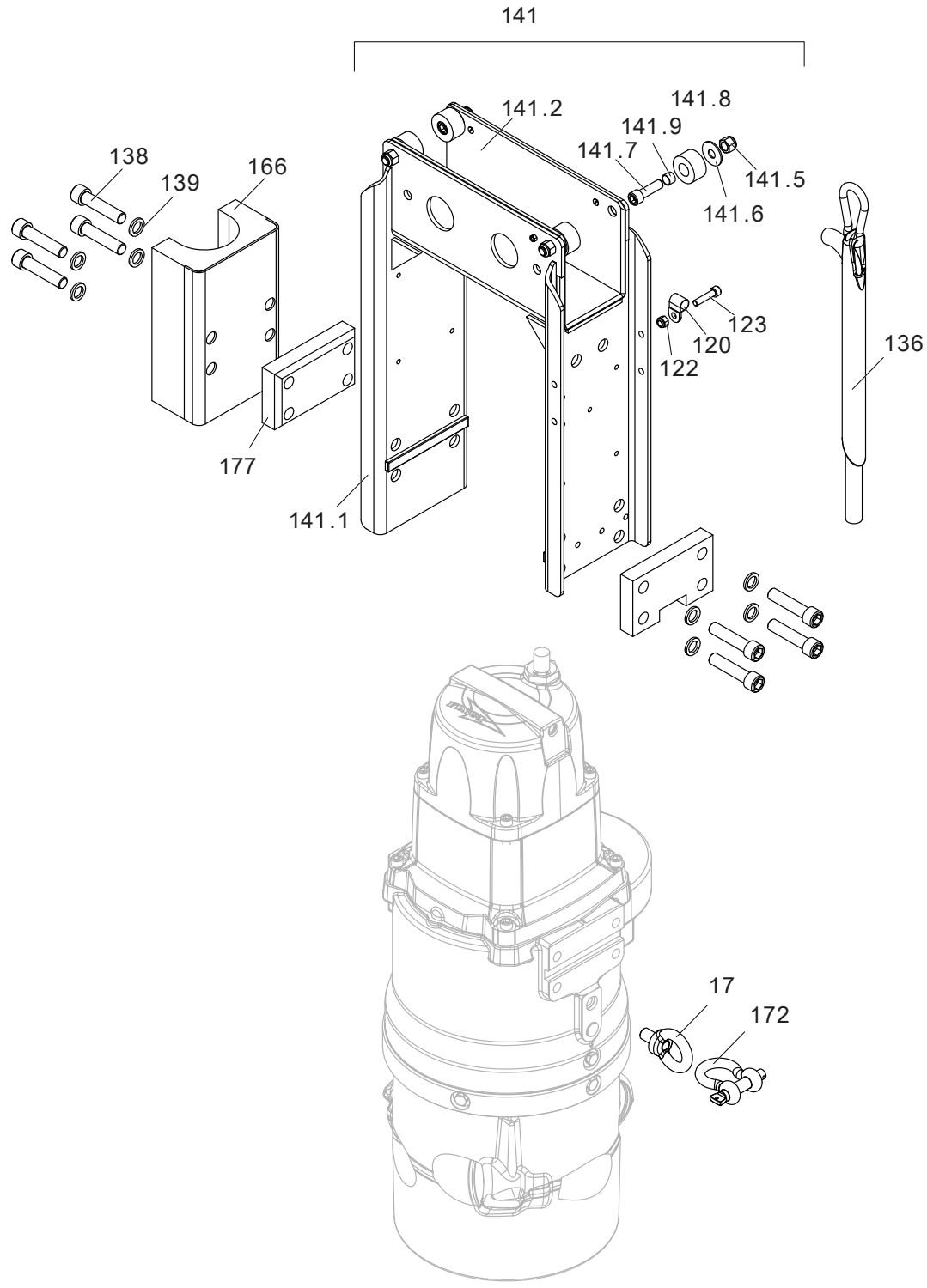


Figure 3: Tripod guide bar

4060 8G

4410 /4430 /4460

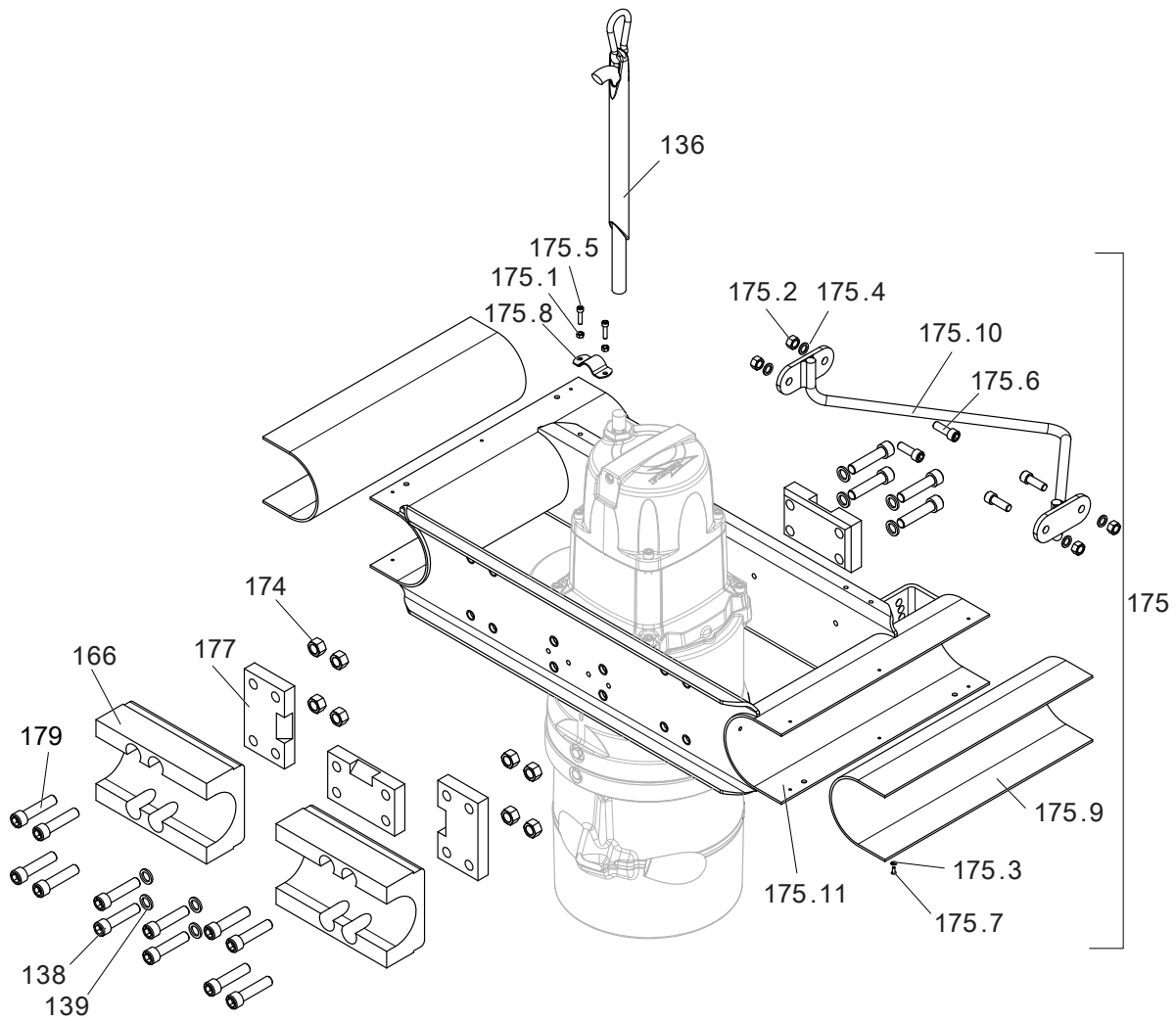


Figure 4: Double guide bar

40614E

4 List of Parts

4.1 4430.010/090

Pos. No	Part. No	Type	Denomination	Qty/Version	
				010	090
1	80 23 05		Parallel pin CP-H8-4X10-1650	1	1
2	80 57 71		Tension pin	2	2
3	80 70 62		Parallel key 8H9X7H11X40	1	1
4	80 46 27		Parallel key 14H9X9H11X70	1	1
5	80 46 31		Parallel key 18H9X11H11X56	1	1
6	81 41 54		Hexagon head screw M12X25-A2-70	4	4
7	83 03 27		Hex.socket hd screw M10X45-A4-70	6	6
8	83 03 51		Hex.socket hd screw M12X55-A4-70	3	3
10	82 17 61		Cutting screw TAPTITE-M6X12	4	4
11	82 20 88		Drive screw 4X5-A2/A4	6	10
12	83 04 45		Hex.socket hd screw M8X35-A4-80	4	4
15	82 22 31		Round nut M30X1.5	1	1
16	82 22 37		Round nut M60X2	1	1
17	82 31 15		Lifting eye bolt	1	1
19	82 51 31		Lock washer	1	1
20	82 51 37		Lock washer	1	1
22	82 44 09		Supporting washer 25X35X2	1	1
22	82 44 11		Supporting washer 28X40X2	1	1
24	82 59 00		Retaining ring SGA 30	1	1
25	82 62 12		Retaining ring SGH 62	3	3
26	82 62 30		Retaining ring SGH 105	1	1
27	82 62 32		Retaining ring SGH 110	1	1
29	82 58 95		Retaining ring SGA 24	1	1
29	82 58 97		Retaining ring SGA 26	1	1
31	82 73 90		O-ring 19.2X3 NBR	5	5
33	82 74 79		O-ring 129.5X3 NBR	1	1
35	82 75 00		O-ring 269.3X5.7 NBR	1	1
36	82 74 93		O-ring 199.3X5.7 NBR	1	1
38	83 33 14		Ball bearing 25X62X17	1	1
39	83 36 42		Ball bearing 3212 60X110X36.5	1	1
40	83 34 78		Ball bearing 6406 30X90X23	1	1
41	83 35 72		Roller bearing 22206 CC 30X62X20	3	3
45	82 85 69		Seal ring	2	2
46	82 85 52		Seal ring 70X110X8 NITRIL	1	1
48	439 31 02		Stator housing	1	
48	439 31 05	(Ex)	Stator housing		1
49	310 11 01		Stator 18-11-4a 60 Hz 4-poles 440V-460V YSER 220V-230V Y// P2=4,60kW/6,20hp	1	1
49	310 11 69	(Ex)	Stator 18-11-4a 60 Hz 4-poles 380V D P2=4,60kW/ 6,20hp	1	1

Pos. No	Part. No	Type	Denomination	Qty/Version		
				010	090	
49	310 11 62	(Ex)	Stator 18-11-4a	50 Hz 4-poles 380V-400V Y 220V-230V D P2=4,30kW 60 Hz 4-poles 440V-460V Y 260V D P2=4,60kW/6,20hp	1	1
49	310 11 61	(Ex)	Stator 18-11-4a	50 Hz 4-poles 380V-400V D 660V Y P2=4,30kW 60 Hz 4-poles 400V-460V D P2=4,60kW/6,20hp 50 Hz 4-poles 690V Y 400V D P2=4,30kW	1	1
49	310 11 67	(Ex)	Stator 18-11-4a	50 Hz 4-poles 400V-440V D P2=4,30kW	1	1
49	310 11 63	(Ex)	Stator 18-11-4a	50 Hz 4-poles 500V D P2=4,30kW 60 Hz 4-poles 575V-600V D P2=4,60kW/6,20hp	1	1
49	344 86 62		Stator 18-10-2a	50 Hz 2-poles 380V-400V Y 220V-230V D P2=4,40kW	1	1
49	344 86 61		Stator 18-10-2a	50 Hz 2-poles 400V D P2=4,40kW 50 Hz 2-poles 660V-690V Y 380V-400V D P2=4,40kW	1	1
49	344 86 63		Stator 18-10-2a	50 Hz 2-poles 500V D P2=4,40kW	1	1
50	464 62 06	(Ex)	Shaft unit	Reduction ratio: 56,64:1 Frequency: 50 Hz Number of Poles: 2 Propeller Speed: 52 rpm Reduction ratio: 52,71:1 Frequency: 50 Hz Number of Poles: 2 Propeller Speed: 55 rpm	1	1
50	464 62 08	(Ex)	Shaft unit	Reduction ratio: 40,81:1 Frequency: 50 Hz Number of Poles: 4 Propeller Speed: 36 rpm Reduction ratio: 40,81:1 Frequency: 60 Hz Number of Poles: 4 Propeller Speed: 43 rpm Reduction ratio: 56,64:1 Frequency: 50 Hz Number of Poles: 4 Propeller Speed: 26 rpm Reduction ratio: 56,64:1 Frequency: 60 Hz Number of Poles: 4 Propeller Speed: 32 rpm Reduction ratio: 52,71:1 Frequency: 50 Hz Number of Poles: 4 Propeller Speed: 28 rpm Reduction ratio: 52,71:1 Frequency: 60 Hz Number of Poles: 4 Propeller Speed: 34 rpm Reduction ratio: 36,39:1 Frequency: 50 Hz Number of Poles: 4 Propeller Speed: 40 rpm Reduction ratio: 36,39:1 Frequency: 60 Hz Number of Poles: 4 Propeller Speed: 48 rpm	1	1

Pos. No	Part. No	Type	Denomination	Qty/Version		
				010	090	
50	464 62 09	(Ex)	Shaft unit	Reduction ratio: 44,96:1 Frequency: 50 Hz Number of Poles: 4 Propeller Speed: 33 rpm Reduction ratio: 44,96:1 Frequency: 60 Hz Number of Poles: 4 Propeller Speed: 39 rpm Reduction ratio: 34,80:1 Frequency: 50 Hz Number of Poles: 4 Propeller Speed: 42 rpm Reduction ratio: 34,80:1 Frequency: 60 Hz Number of Poles: 4 Propeller Speed: 50 rpm Reduction ratio: 31,04:1 Frequency: 50 Hz Number of Poles: 4 Propeller Speed: 47 rpm Reduction ratio: 31,04:1 Frequency: 60 Hz Number of Poles: 4 Propeller Speed: 56 rpm Reduction ratio: 48,30:1 Frequency: 50 Hz Number of Poles: 4 Propeller Speed: 31 rpm Reduction ratio: 48,30:1 Frequency: 60 Hz Number of Poles: 4 Propeller Speed: 37 rpm	1	1
52	464 54 04		Bearing holder	Leakage detector in the stator house: FLS	1	
52	464 54 05		Bearing holder	Leakage detector in the stator house: FLS Water in oil supervision: CLS	1	
52	464 54 07	(Ex)	Bearing holder	Leakage detector in the stator house :FLS		1

Pos. No	Part. No	Type	Denomination	Qty/Version	
				010	090
53	464 46 00		Gear Reduction ratio: 56,64:1 Frequency: 50 Hz Number of Poles: 2 Propeller Speed: 52 rpm Reduction ratio: 40,81:1 Frequency: 50 Hz Number of Poles: 4 Propeller Speed: 36 rpm Reduction ratio: 40,81:1 Frequency: 60 Hz Number of Poles: 4 Propeller Speed: 43 rpm Reduction ratio: 56,64:1 Frequency: 50 Hz Number of Poles: 4 Propeller Speed: 26 rpm Reduction ratio: 56,64:1 Frequency: 60 Hz Number of Poles: 4 Propeller Speed: 32 rpm Reduction ratio: 52,71:1 Frequency: 50 Hz Number of Poles: 2 Propeller Speed: 55 rpm Reduction ratio: 52,71:1 Frequency: 50 Hz Number of Poles: 4 Propeller Speed: 28 rpm Reduction ratio: 52,71:1 Frequency: 60 Hz Number of Poles: 4 Propeller Speed: 34 rpm Reduction ratio: 36,39:1 Frequency: 50 Hz Number of Poles: 4 Propeller Speed: 40 rpm Reduction ratio: 36,39:1 Frequency: 60 Hz Number of Poles: 4 Propeller Speed: 48 rpm	1	1
53	464 46 01		Gear Reduction ratio: 44,96:1 Frequency: 50 Hz Number of Poles: 4 Propeller Speed: 33 rpm Reduction ratio: 44,96:1 Frequency: 60 Hz Number of Poles: 4 Propeller Speed: 39 rpm Reduction ratio: 34,80:1 Frequency: 50 Hz Number of Poles: 4 Propeller Speed: 42 rpm Reduction ratio: 34,80:1 Frequency: 60 Hz Number of Poles: 4 Propeller Speed: 50 rpm Reduction ratio: 31,04:1 Frequency: 50 Hz Number of Poles: 4 Propeller Speed: 47 rpm Reduction ratio: 31,04:1 Frequency: 60 Hz Number of Poles: 4 Propeller Speed: 56 rpm Reduction ratio: 48,30:1 Frequency: 50 Hz Number of Poles: 4 Propeller Speed: 31 rpm Reduction ratio: 48,30:1 Frequency: 60 Hz Number of Poles: 4 Propeller Speed: 37 rpm	1	1

Pos. No	Part. No	Type	Denomination	Qty/Version	
				010	090
54	464 48 00		Shaft Reduction ratio: 44,96:1 Frequency: 50 Hz Number of Poles: 4 Propeller Speed: 33 rpm Reduction ratio: 44,96:1 Frequency: 60 Hz Number of Poles: 4 Propeller Speed: 39 rpm Reduction ratio: 52,71:1 Frequency: 50 Hz Number of Poles: 2 Propeller Speed: 55 rpm Reduction ratio: 52,71:1 Frequency: 50 Hz Number of Poles: 4 Propeller Speed: 28 rpm Reduction ratio: 52,71:1 Frequency: 60 Hz Number of Poles: 4 Propeller Speed: 34 rpm	1	1
54	464 48 03		Shaft Reduction ratio: 56,64:1 Frequency: 50 Hz Number of Poles: 2 Propeller Speed: 52 rpm Reduction ratio: 56,64:1 Frequency: 50 Hz Number of Poles: 4 Propeller Speed: 26 rpm Reduction ratio: 56,64:1 Frequency: 60 Hz Number of Poles: 4 Propeller Speed: 32 rpm Reduction ratio: 48,30:1 Frequency: 50 Hz Number of Poles: 4 Propeller Speed: 31 rpm Reduction ratio: 48,30:1 Frequency: 60 Hz Number of Poles: 4 Propeller Speed: 37 rpm	1	1
54	464 48 01		Shaft Reduction ratio: 31,04:1 Frequency: 50 Hz Number of Poles: 4 Propeller Speed: 47 rpm Reduction ratio: 31,04:1 Frequency: 60 Hz Number of Poles: 4 Propeller Speed: 56 rpm Reduction ratio: 36,39:1 Frequency: 50 Hz Number of Poles: 4 Propeller Speed: 40 rpm Reduction ratio: 36,39:1 Frequency: 60 Hz Number of Poles: 4 Propeller Speed: 48 rpm	1	1
54	464 48 02		Shaft Reduction ratio: 34,80:1 Frequency: 50 Hz Number of Poles: 4 Propeller Speed: 42 rpm Reduction ratio: 34,80:1 Frequency: 60 Hz Number of Poles: 4 Propeller Speed: 50 rpm Reduction ratio: 40,81:1 Frequency: 50 Hz Number of Poles: 4 Propeller Speed: 36 rpm Reduction ratio: 40,81:1 Frequency: 60 Hz Number of Poles: 4 Propeller Speed: 43 rpm	1	1

Pos. No	Part. No	Type	Denomination	Qty/Version	
				010	090
55	464 49 00		Gear Reduction ratio: 44,96:1 Frequency: 50 Hz Number of Poles: 4 Propeller Speed: 33 rpm Reduction ratio: 44,96:1 Frequency: 60 Hz Number of Poles: 4 Propeller Speed: 39 rpm Reduction ratio: 52,71:1 Frequency: 50 Hz Number of Poles: 2 Propeller Speed: 55 rpm Reduction ratio: 52,71:1 Frequency: 50 Hz Number of Poles: 4 Propeller Speed: 28 rpm Reduction ratio: 52,71:1 Frequency: 60 Hz Number of Poles: 4 Propeller Speed: 34 rpm	1	1
55	464 49 03		Gear Reduction ratio: 56,64:1 Frequency: 50 Hz Number of Poles: 2 Propeller Speed: 52 rpm Reduction ratio: 56,64:1 Frequency: 50 Hz Number of Poles: 4 Propeller Speed: 26 rpm Reduction ratio: 56,64:1 Frequency: 60 Hz Number of Poles: 4 Propeller Speed: 32 rpm Reduction ratio: 48,30:1 Frequency: 50 Hz Number of Poles: 4 Propeller Speed: 31 rpm Reduction ratio: 48,30:1 Frequency: 60 Hz Number of Poles: 4 Propeller Speed: 37 rpm	1	1
55	464 49 01		Gear Reduction ratio: 31,04:1 Frequency: 50 Hz Number of Poles: 4 Propeller Speed: 47 rpm Reduction ratio: 31,04:1 Frequency: 60 Hz Number of Poles: 4 Propeller Speed: 56 rpm Reduction ratio: 36,39:1 Frequency: 50 Hz Number of Poles: 4 Propeller Speed: 40 rpm Reduction ratio: 36,39:1 Frequency: 60 Hz Number of Poles: 4 Propeller Speed: 48 rpm	1	1
55	464 49 02		Gear Reduction ratio: 34,80:1 Frequency: 50 Hz Number of Poles: 4 Propeller Speed: 42 rpm Reduction ratio: 34,80:1 Frequency: 60 Hz Number of Poles: 4 Propeller Speed: 50 rpm Reduction ratio: 40,81:1 Frequency: 50 Hz Number of Poles: 4 Propeller Speed: 36 rpm Reduction ratio: 40,81:1 Frequency: 60 Hz Number of Poles: 4 Propeller Speed: 43 rpm	1	1
56	464 51 05		Gear housing	1	1

Pos. No	Part. No	Type	Denomination	Qty/Version	
				010	090
57	416 94 00		Inspection screw	1	1
58	428 22 17		Inspection screw BRASS	3	4
58	428 22 17		Inspection screw BRASS	1	
60	464 61 00		Ring	1	1
61	775 80 00		Supporting washer	1	1
62	464 50 00		Shaft	1	1
63	493 97 00		Ring	1	1
64	456 71 00		Compression spring	12	12
65	464 59 00		Washer 63X104X1.5	1	1
66	496 04 00		Oil housing	1	1
67	382 83 00		Wear protection NBR-A2	1	1
68	384 03 10		Mechanical seal WCCR/WCCR FPM	1	1
75	549 09 00		Propeller blade OD: 2500mm	2	2
75	549 09 01		Propeller blade OD: 2200mm	2	2
75	549 09 02		Propeller blade OD: 2000mm	2	2
75	549 09 03		Propeller blade OD: 1800mm	2	2
75	549 09 04		Propeller blade OD: 1700mm	2	2
75	549 09 05		Propeller blade OD: 1600mm	2	2
75	549 09 06		Propeller blade OD: 1500mm	2	2
75	549 09 07		Propeller blade OD: 1400mm	2	2
79	777 90 01		Propeller hub Coating: Thickness = min 120 micrometer Std	1	1
79	777 90 02		Propeller hub Coating: Spec Thickness = 360 - 450 micrometer	1	1
79	777 90 03		Propeller hub Coating: MBBR Thickness = 450 - 550 micrometer	1	1
79	777 90 00		Propeller hub Coating: Primer	1	1
82	83 43 58		Cable lug UL/CSA 1.04-2.62 MM2 M6	1	1
82	83 42 96		Cable lug 2.5-6 MM2 M6	1	1
83	83 44 24		Closed-end splice 3-6 (AWG 12-10)	3	3
83	83 44 24		Closed-end splice 3-6 (AWG 12-10)	1	
84	83 44 23		Closed-end splice 4.0-9.0 (AWG 8)	1	1
84	83 44 24		Closed-end splice 3-6 (AWG 12-10)	2	2
86	83 53 21		Terminal clamp SAK6/35 038056 EL-AUTOM	6	6
87	83 53 22		End plate APPA - 11796	1	1
89	83 53 31		End support 35X15	2	2
90	471 77 01		Marking strip 5-GW (U1,V1,W1,W2,U2,V1)	2	2
91	443 68 00		Rail 35X15	1	1
92	734 59 00		El.lead through unit 12X + 6X	1	1
94	443 50 00		Entrance cover Cable entry: (20) - 22mm	1	
94	443 51 00		Entrance cover Cable entry: (16) - 18mm	1	
94	443 50 03	(Ex)	Entrance cover Cable entry: (20) - 23mm Cable entry: (17) - 20mm		1

Pos. No	Part. No	Type	Denomination	Qty/Version		
				010	090	
95	642 17 00		Entrance flange (20)-32 MM	Cable entry: (20) - 22mm	1	
95	397 81 00		Gland screw Pr 37	Cable entry: (16) - 18mm	1	
95	642 17 01	(Ex)	Entrance flange (14)-32 MM	Cable entry: (20) - 23mm		1
				Cable entry: (17) - 20mm		
96	82 40 82		Plain washer 34.5X52X2-A2-70	Cable entry: (20) - 22mm	4	4
96	82 42 42		Plain washer 24.5X35X2-A4-70	Cable entry: (16) - 18mm	1	
96	82 40 81		Plain washer 32.5X52X2-A2-70	Cable entry: (20) - 23mm		4
				Cable entry: (17) - 20mm		
97	84 18 02		Seal sleeve (20)-23 MM NBR		2	2
97	84 17 93		Seal sleeve (16)-18 MM NBR		1	
97	84 18 01		Seal sleeve (17)-20 MM NBR			2
100	83 03 48		Hex.socket hd screw M12X40-A4-70		2	
100	83 03 48		Hex.socket hd screw M12X40-A4-70			2
100	82 00 69		Hex.socket hd screw M12X30-A2-70			2
101	678 58 18		Cable clip 16-(18) MM		1	
102	94 20 59		Motor cable subcab 4G2.5+2X1.5		*	*
102	94 20 82		Motor cable subcab 7G2.5+2X1.5		*	*
102	94 20 60		Motor cable subcab 4G4+2X1.5		*	*
103	83 45 59		Cable tie 200X2.4 PA 6/6 -55+105		1	1
105	630 68 00		Data plate USE 6306801 AS SPARE PART		2	3
105	775 03 00		Connection plate		1	1
105	630 69 00		Certificate plate EN			2
106	83 02 58		Hex.socket hd screw M5X12-A4-70			2
107	279 29 00		Earthing plate			1
112	504 78 05		Cable unit		1	
	112,1 83 42 42		Contact pin		2	
	112,2 83 53 40		Terminal device		1	
	112,3 94 14 20		Single conductor		*	
	112,4 94 14 31		Single conductor		*	
113	505 12 00		Leakage sensor (CLS30)		1	
114	671 31 00		Leakage sensor		1	1
	114,1 679 03 00		Holder		1	1
	114,2 518 89 02		Leakage sensor (FLS)		1	1
115	504 78 09		Cable unit (FLS)		1	1
116	81 41 52		Hexagon head screw M12X20-A2-70		1	1
116	81 41 52		Hexagon head screw M12X20-A2-70		2	
117	83 97 48		Leakage sensor		1	
120	84 66 55		Cable clamp RUBBER SEALING STRIP 15MM		1	1
120	84 60 65		Cable clamp RUBBER SEALING STRIP 19MM		1	1
120	84 60 64		Cable clamp RUBBER SEALING STRIP 17MM		1	1
120	84 64 36		Cable clamp RUBBER SEALING STRIP 21MM		1	1

Pos. No	Part. No	Type	Denomination	Qty/Version	
				010	090
120	84 64 38		Cable clamp	1	
120	84 64 51		Cable clamp	1	
120	84 64 58		Cable clamp	1	
120	84 64 59		Cable clamp	1	
122	82 27 27		Lock nut M8-A4-70	1	1
123	83 04 45		Hex.socket hd screw M8X35-A4-80	1	1
136	482 01 01		Cable supp.grip unit	1	1
138	83 03 76		Hex.socket hd screw M16X70-A4-70	8	8
139	82 50 19		Lock washer M16	8	8
141	481 95 09		Stand unit	1	
			Guide bar dimension: 100 x 100mm Material: stainless steel (ASTM 316L) Four fixed sleeves		
141,1	481 92 06		Stand	1	
141,2	481 96 01		Claw	1	
141,5	82 27 29		Lock nut M12-A4-70	4	
141,6	82 42 36		Plain washer 12.5X35X2-A4-70	4	
141,7	83 03 48		Hex.socket hd screw M12X40-A4-70	4	
141,8	481 93 00		Sleeve	4	
141,9	481 94 00		Sleeve	4	
141	481 95 10		Stand unit		1
			Guide bar dimension: 100 x 100mm Material: stainless steel (ASTM 316L) Four fixed sleeves		
141,1	481 92 07		Stand		1
141,2	481 96 01		Claw		1
141,5	82 27 29		Lock nut M12-A4-70		4
141,6	82 42 36		Plain washer 12.5X35X2-A4-70		4
141,7	83 03 48		Hex.socket hd screw M12X40-A4-70		4
141,8	481 93 00		Sleeve		4
141,9	481 94 00		Sleeve		4
166	482 04 02		Support	1	1
166	482 04 02		Support	2	2
166	482 04 01		Support	1	1
172	82 26 49		Shackle	1	1
174	82 27 30		Lock nut M16-A4-70	8	8
175	509 53 05		Stand unit	1	1
			Double guide bars Guide bar dimension: OD 114,3mm Material: stainless steel (ASTM 304)		
175,1	82 23 31		Hexagon nut M6-A4-70	2	2
175,2	82 23 35		Hexagon nut M12-A4-70	4	4
175,3	82 35 71		Plain washer 4.3X9X0.8-A4-170HV	12	12
175,4	82 50 17		Lock washer M12	8	8
175,5	83 02 79		Hex.socket hd screw M6X25-A4-70	2	2
175,6	83 03 47		Hex.socket hd screw M12X35-A4-70	4	4
175,7	84 24 58		Blind rivet	12	12
175,8	465 42 00		Cable clamp	1	1
175,9	509 45 00		Claw	2	2

Pos. No	Part. No	Type	Denomination	Qty/Version	
				010	090
175,10	547 84 01		Lifting handle	1	1
175,11	504 56 03		Stand	1	1
175	509 53 06		Stand unit	1	1
			Double guide bars Guide bar dimension: OD 114,3mm Material: stainless steel (ASTM 316L)		
175,1	82 23 31		Hexagon nut M6-A4-70	2	2
175,2	82 23 35		Hexagon nut M12-A4-70	4	4
175,3	82 35 71		Plain washer 4.3X9X0.8-A4-170HV	12	12
175,4	82 50 17		Lock washer M12	8	8
175,5	83 02 79		Hex.socket hd screw M6X25-A4-70	2	2
175,6	83 03 47		Hex.socket hd screw M12X35-A4-70	4	4
175,7	84 24 58		Blind rivet	12	12
175,8	465 42 00		Cable clamp	1	1
175,9	509 45 00		Claw	2	2
175,10	547 84 02		Lifting handle	1	1
175,11	504 56 04		Stand	1	1
176	753 29 00		Mounting kit PROPELLER	1	1
176,1	80 46 27		Parallel key 14H9X9H11X70	2	2
176,2	791 13 00		Damper	2	2
176,3	83 03 76		Hex.socket hd screw M16X70-A4-70	1	1
176,4	384 61 00		Supporting washer	1	1
176,5	82 77 96		O-ring 57.5X3 NBR	1	1
176,6	84 35 33		Seal sleeve (16)-18 MM CR	1	1
176,7	81 49 32		Hexagon head screw M16X45-A4-70	2	2
176,8	82 50 19		Lock washer M16	2	2
176,9	494 78 01		Supporting washer	2	2
176,10	82 74 66		O-ring 64.5X3 NBR	2	2
177	800 65 00		Distance block	2	2
177	800 65 00		Distance block	4	4
179	83 03 76		Hex.socket hd screw M16X70-A4-70	8	8
181	82 50 17		Lock washer M12	1	2
181	82 50 17		Lock washer M12	2	
222	679 03 00		Holder	2	
223	82 74 63		O-ring 49.5X3 NBR	1	1
224	597 98 02		Sleeve	1	1
250	726 11 00		Fastening kit	1	1
400	667 40 00		Sticker	2	2
800	82 97 17		O-ring kits	1	1
801	466 26 14		Zinc anode kit	1	1
			1-bar guide system		
801	466 26 15		Zinc anode kit	1	1
			2-bar guide system		
810	584 92 00		Rebuilding kit DIAM.2.5	1	1
810	584 92 01		Rebuilding kit DIAM.2.2	1	1
810	584 92 02		Rebuilding kit DIAM.2	1	1
810	584 92 03		Rebuilding kit DIAM.1.8	1	1
810	584 92 04		Rebuilding kit DIAM.1.7	1	1

Pos. No	Part. No	Type	Denomination	Qty/Version	
				010	090
810	584 92 05		Rebuilding kit DIAM.1.6	1	1
810	584 92 06		Rebuilding kit DIAM.1.5	1	1
810	584 92 07		Rebuilding kit DIAM.1.4	1	1
810	584 92 10		Rebuilding kit DIAM.2.5	1	1
810	584 92 11		Rebuilding kit DIAM.2.2	1	1
810	584 92 12		Rebuilding kit DIAM.2	1	1
810	584 92 13		Rebuilding kit DIAM.1.8	1	1
810	584 92 14		Rebuilding kit DIAM.1.7	1	1
810	584 92 15		Rebuilding kit DIAM.1.6	1	1
810	584 92 16		Rebuilding kit DIAM.1.5	1	1
810	584 92 17		Rebuilding kit DIAM.1.4	1	1
810	584 92 20		Rebuilding kit DIAM.2.5	1	1
810	584 92 21		Rebuilding kit DIAM.2.2	1	1
810	584 92 22		Rebuilding kit DIAM.2	1	1
810	584 92 23		Rebuilding kit DIAM.1.8	1	1
810	584 92 24		Rebuilding kit DIAM.1.7	1	1
810	584 92 25		Rebuilding kit DIAM.1.6	1	1
810	584 92 26		Rebuilding kit DIAM.1.5	1	1
810	584 92 27		Rebuilding kit DIAM.1.4	1	1
810,1	80 46 27		Parallel key 14H9X9H11X70	2	2
810,2	791 13 00		Damper	2	2
810,3	83 03 76		Hex.socket hd screw M16X70-A4-70	1	1
810,4	384 61 00		Supporting washer	1	1
810,5	82 77 96		O-ring 57.5X3 NBR	1	1
810,6	84 35 33		Seal sleeve (16)-18 MM CR	1	1
810,7	81 49 32		Hexagon head screw M16X45-A4-70	2	2
810,8	82 50 19		Lock washer M16	2	2
810,9	494 78 01		Supporting washer	2	2
810,10	82 74 66		O-ring 64.5X3 NBR	2	2
900	726 39 00		Basic repair kit	1	1
900	814 46 00		Mounting kit	1	1
901	90 17 52		Oil ISO VG 32	*	*
901	90 17 58		Oil GEAR UNITS	5	5
912	82 73 90		O-ring 19.2X3 NBR	5	5
915	659 35 00		Mounting kit MBBR	1	1