

Flygt 4620.410/.490



Table of Contents

1 Introduction.....	2
1.1 Specially approved products.....	2
2 Product Description.....	3
2.1 The data plate.....	3
2.2 Approvals.....	4
2.3 Product denomination.....	5
3 Exploded View.....	7
3.1 Mixer.....	7
3.2 Installation components.....	8
4 List of Parts.....	10
4.1 4620.410/.490.....	10

1 Introduction

Purpose of this manual

The purpose of this manual is to provide necessary information on spare parts and accessories order.

Disclaimer

Always use genuine Flygt parts. The use of other spare parts or accessories can invalidate any claims for warranty or compensation. Xylem does not take any responsibility for damages that are caused by the use of non-original parts. For more information, contact your local sales and service representative.

Data for ordering spare parts

The following information is needed for spare part orders:

- Serial number of the product
- Part number
- Quantity of bulk material, see * in tables

1.1 Specially approved products

Qualification of personnel

Only Xylem or Xylem-authorized service personnel may undertake repair work on specially approved products.

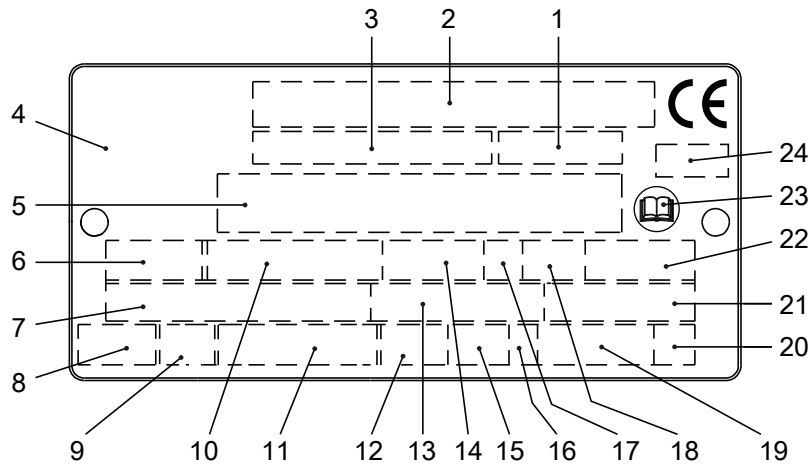
Dimensional accuracy inspection

Spare parts marked with (Ex) after the part number are subject to dimensional accuracy inspection when used in specially approved products.

2 Product Description

2.1 The data plate

The data plate is a metal label that is located on the main body of the products. The data plate lists key product specifications. Specially approved products also have an approval plate.



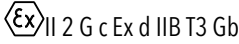
WIS006257A

1. Curve code or Propeller code
2. Serial number
3. Product number
4. Country of origin
5. Additional information
6. Phase; type of current; frequency
7. Rated voltage
8. Thermal protection
9. Thermal class
10. Rated shaft power
11. International standard
12. Degree of protection
13. Rated current
14. Rated speed
15. Maximum submergence
16. Direction of rotation: L=left, R=right
17. Duty class
18. Duty factor
19. Product weight
20. Locked rotor code letter
21. Power factor
22. Maximum ambient temperature
23. Read installation manual
24. Notified body, only for EN-approved Ex products

Figure 1: The data plate

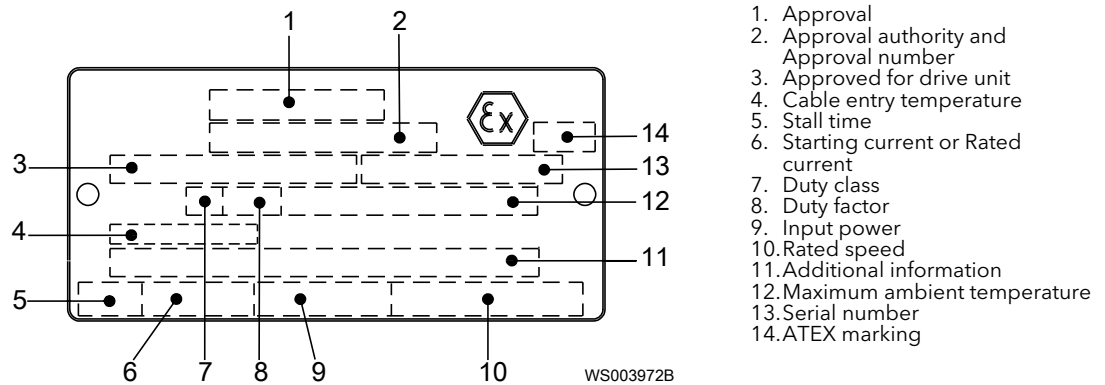
2.2 Approvals

Product approvals for hazardous locations

Product	Approval
4620.490	European Norm (EN) <ul style="list-style-type: none"> • ATEX Directive • EN 60079-0:2012/A11:2013, EN 60079-1:2007, EN 13463-1:2009, EN 13463-5:2011 • 
	IEC <ul style="list-style-type: none"> • IECEx scheme • IEC 60079-0, IEC 60079-1 • Ex d I Mb • Ex d IIB T3 Gb
	FM (FM Approvals) <ul style="list-style-type: none"> • Explosion proof for use in Class I, Div. 1, Group C and D • Dust ignition proof for use in Class II, Div. 1, Group E, F and G • Suitable for use in Class III, Div. 1, Hazardous Locations
	CSA Ex <ul style="list-style-type: none"> • Explosion proof for use in Class I, Div. 1, Group C and D

EN approval plate

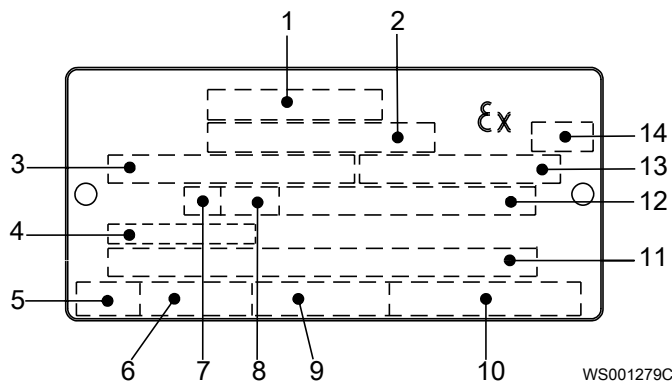
This illustration describes the EN approval plate and the information that is contained in its fields.



IEC approval plate

This illustration describes the IEC approval plate and the information that is contained in its fields.

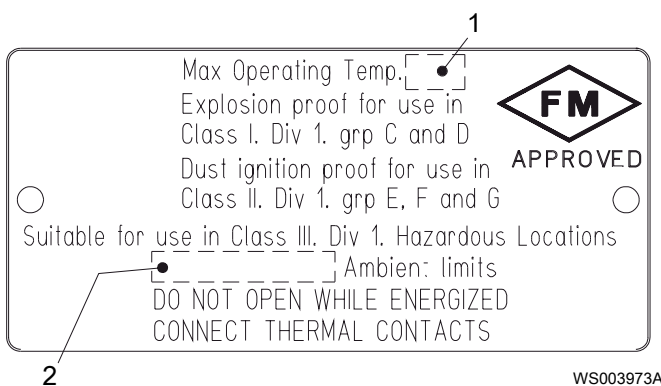
International Norm; not for EU member countries.



1. Approval
2. Approval authority and Approval number
3. Approved for drive unit
4. Cable entry temperature
5. Stall time
6. Starting current or Rated current
7. Duty class
8. Duty factor
9. Input power
10. Rated speed
11. Additional information
12. Maximum ambient temperature
13. Serial number
14. ATEX marking

FM approval plate

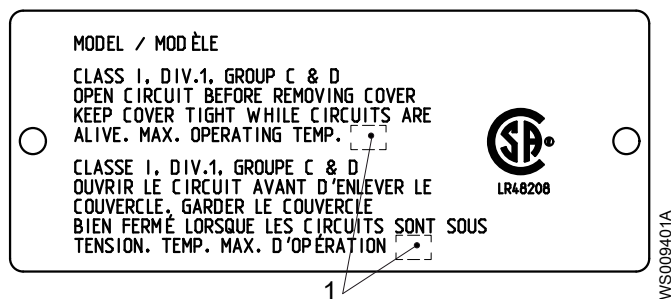
This illustration describes the FM approval plate and the information that is contained in its fields.



1. Temperature class
2. Maximum ambient temperature

CSA approval plate

This illustration describes the CSA approval plate and the information that is contained in its fields.



1. Temperature class

2.3 Product denomination

Reading instruction

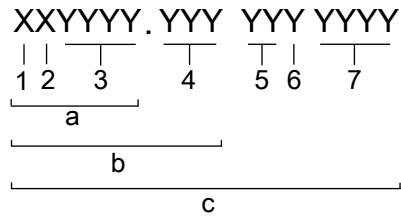
In this section, code characters are illustrated accordingly:

X = letter

Y = digit

The different types of codes are marked up with a, b and c. Code parameters are marked up with numbers.

Codes and parameters

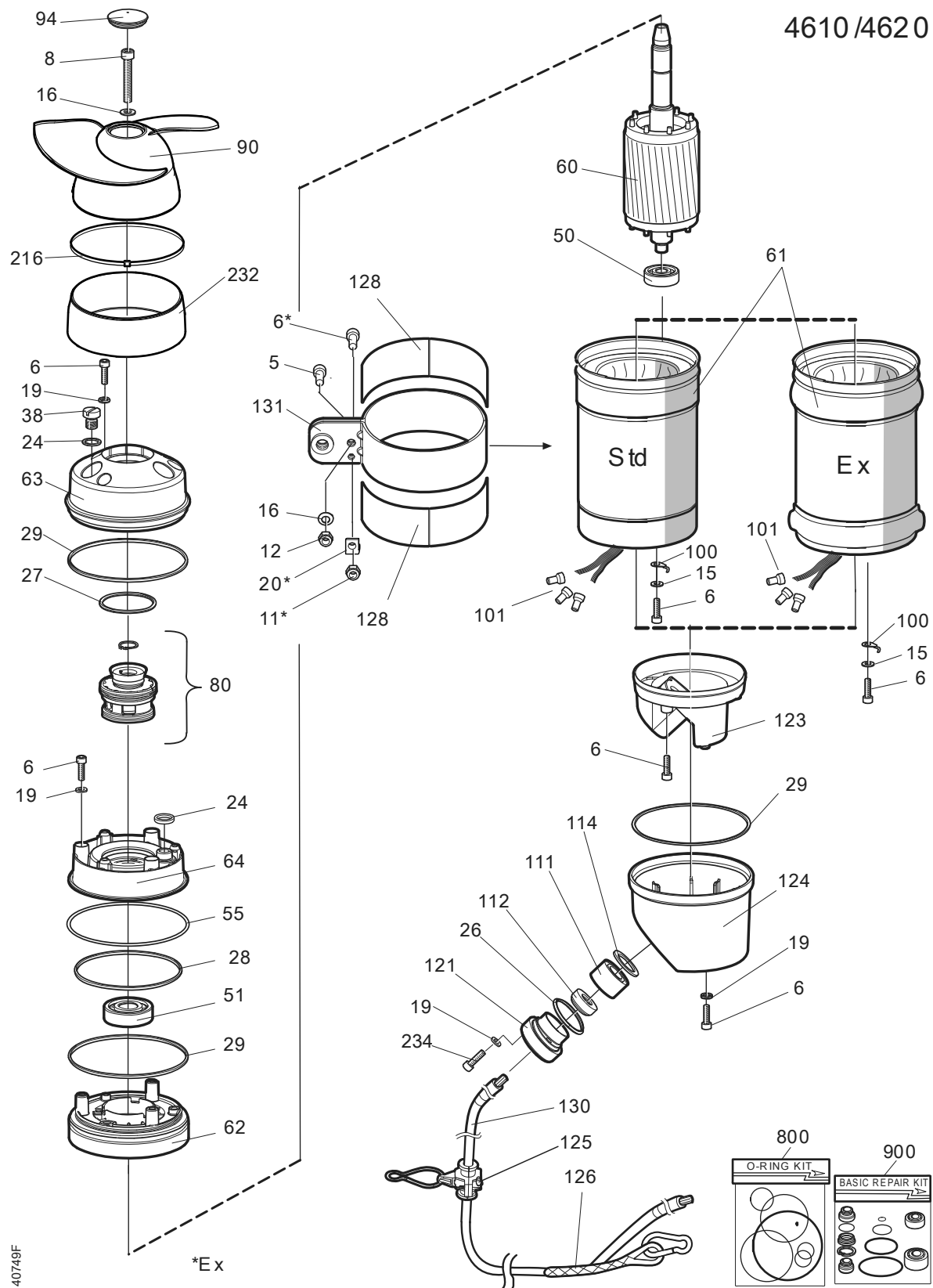


WS006265B

Type of Callout	Number	Indication
Type of code	a	Sales denomination
	b	Product code
	c	Serial number
Parameter	1	Hydraulic end
	2	Type of installation
	3	Sales code
	4	Version
	5	Production year
	6	Production cycle
	7	Running number

3 Exploded View

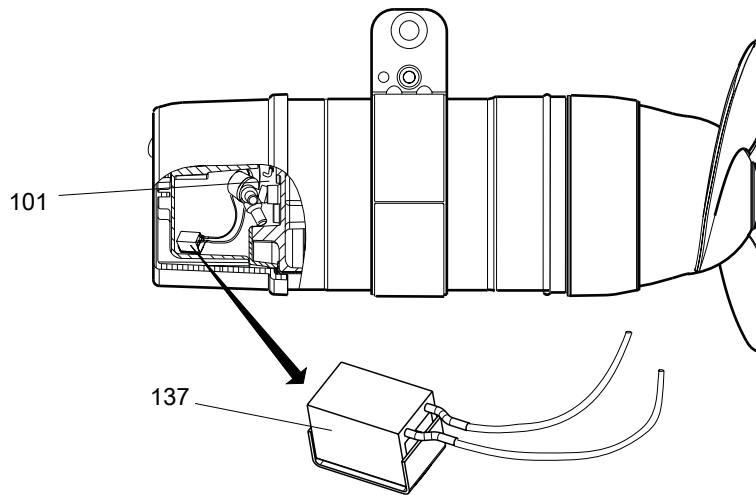
3.1 Mixer



3.2 Installation components

Leakage sensor

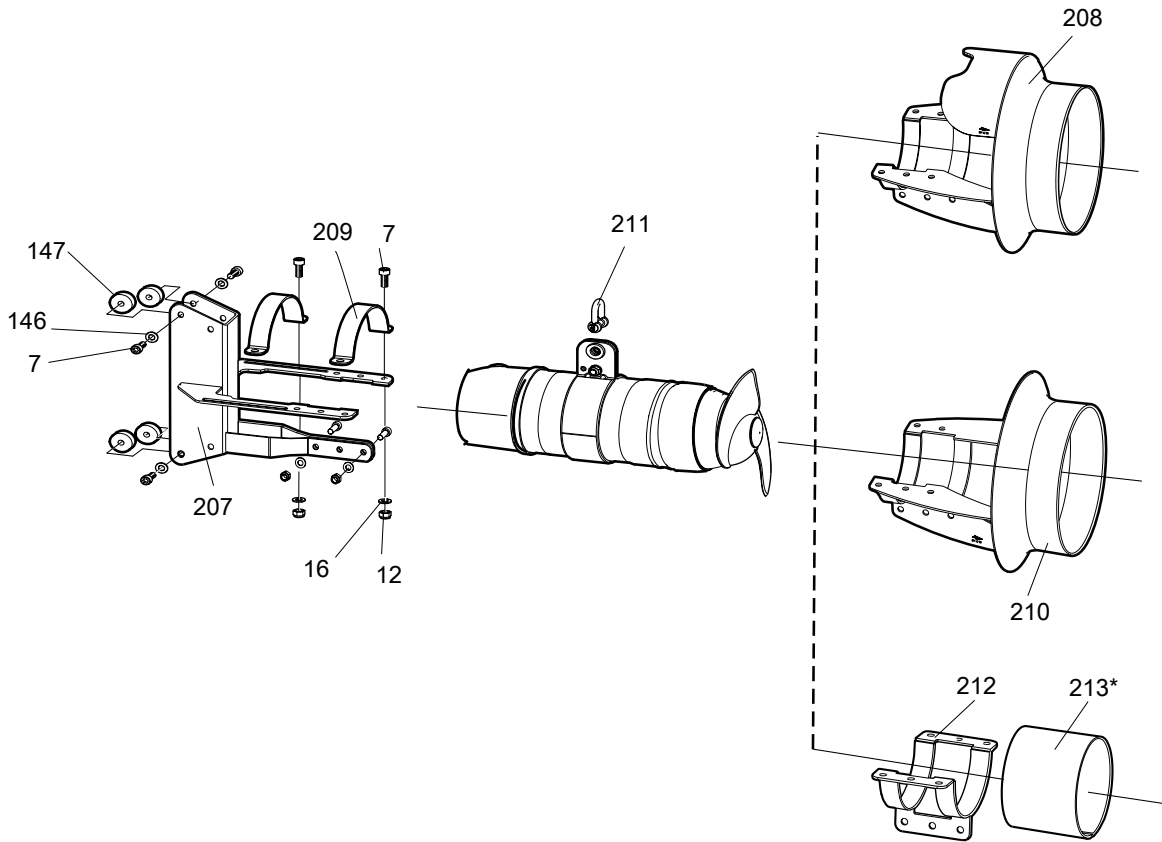
4610/4620



40814B

Installation accessories

4610/4620



* Not for Ex
Nicht für Ex

Ej för Ex
Pas pour Ex

40712AC

4 List of Parts

4.1 4620.410/.490

Pos. No	Part. No	Type	Denomination	Qty/Version		
				410	490	
5	83 04 45		Hex.socket hd screw M8X35-A4-80	1	1	
6	83 06 67		Hex.socket hd screw M6X20 A4-80+DRI-LOC 204	11	12	
6	83 06 67		Hex.socket hd screw M6X20 A4-80+DRI-LOC 204	1	1	
6	83 06 67		Hex.socket hd screw M6X20 A4-80+DRI-LOC 204	2	2	
7	83 02 01		Hex.socket hd screw M8X25-A4-80	6	6	
7	83 04 48		Hex.socket hd screw M8X20-A4-80	4	4	
7	83 02 01		Hex.socket hd screw M8X25-A4-80	4	4	
12	82 27 27		Lock nut M8-A4-70	1	1	
12	82 27 27		Lock nut M8-A4-70	7	7	
12	82 27 27		Lock nut M8-A4-70	5	5	
15	82 35 73		Plain washer 6.4X12X1.6-A4-170HV	1	1	
15	82 35 73		Plain washer 6.4X12X1.6-A4-170HV	2	2	
16	82 35 74		Plain washer 8.4X16X1.8-A4-170HV		1	
16	82 35 74		Plain washer 8.4X16X1.8-A4-170HV		7	
16	82 35 74		Plain washer 8.4X16X1.8-A4-170HV		5	
19	640 84 00		Seal ring	10	10	
24	82 73 85		O-ring 13.3X2.4 NBR	4	4	
24	82 79 12		O-ring 13.3X2.4 FPM	4	4	
26	82 77 88		O-ring 48X3-1 NBR	1	1	
26	82 95 59		O-ring 48X3 FPM	1	1	
27	82 74 64		O-ring 54.5X3 NBR	1	1	
27	82 75 19		O-ring 54.5X3 FPM	1	1	
28	82 74 75		O-ring 109.5X3 NBR	1	1	
28	82 81 67		O-ring 109.5X3 FPM	1	1	
29	82 74 77		O-ring 119.5X3 NBR	3	3	
29	82 81 59		O-ring 119.5X3 FPM	3	3	
38	303 44 08		Plug	3	3	
50	83 33 11		Ball bearing 12X37X12 MM	1	1	
51	83 33 13		Ball bearing 20X52X15 MM	1	1	
55	607 48 02	(Ex)	Spring	1	1	
60	640 66 07		Shaft unit	13-10-4FB	1	1
60	640 66 06		Shaft unit	13-08-4BB	1	1
61	633 09 74		Stator housing unit	1-phase 50 Hz 230V	1	
61	633 09 79		Stator housing unit	1-phase 60 Hz 115V	1	
61	633 09 77		Stator housing unit	1-phase 60 Hz 220V-230V	1	

Pos. No	Part. No	Type	Denomination	Qty/Version		
				410	490	
61	730 81 11		Stator housing unit	3-phase 50 Hz 400V-415V Y 230V D 3-phase 60 Hz 460V Y 3-phase 60 Hz 460V-480V Y	1	
61	730 81 12		Stator housing unit	3-phase 50 Hz 440V Y	1	
61	730 81 13		Stator housing unit	3-phase 50 Hz 500V Y 3-phase 60 Hz 575V-600V Y	1	
61	730 81 15		Stator housing unit	3-phase 50 Hz 200V Y	1	
61	730 81 16		Stator housing unit	3-phase 60 Hz 220V-230V D	1	
61	730 81 17		Stator housing unit	3-phase 60 Hz 200V-208V Y	1	
61	730 81 18		Stator housing unit	3-phase 60 Hz 400V Y	1	
61	730 81 19		Stator housing unit	3-phase 50 Hz 380V Y 220V D 3-phase 60 Hz 440V Y	1	
61	646 43 70	(Ex)	Stator housing unit	1-phase 50 Hz 230V		1
61	646 43 75	(Ex)	Stator housing unit	1-phase 60 Hz 115V		1
61	646 43 73	(Ex)	Stator housing unit	1-phase 60 Hz 220V-230V		1
61	646 43 91	(Ex)	Stator housing unit	3-phase 50 Hz 400V-415V Y 230V D 3-phase 60 Hz 460V Y		1
61	646 43 92	(Ex)	Stator housing unit	3-phase 50 Hz 440V Y		1
61	646 43 93	(Ex)	Stator housing unit	3-phase 50 Hz 500V Y 3-phase 60 Hz 575V-600V Y		1
61	646 43 95	(Ex)	Stator housing unit	3-phase 50 Hz 200V Y		1
61	646 43 96	(Ex)	Stator housing unit	3-phase 60 Hz 220V-230V D		1
61	646 43 97	(Ex)	Stator housing unit	3-phase 60 Hz 200V-208V Y		1
61	646 43 98	(Ex)	Stator housing unit	3-phase 60 Hz 400V Y		1
61	646 43 99	(Ex)	Stator housing unit	3-phase 50 Hz 380V Y 220V D 3-phase 60 Hz 440V Y		1
62	708 96 06		Bearing housing		1	
62	708 96 04		Bearing housing	FLS	1	
62	708 96 03	(Ex)	Bearing holder			1
63	640 82 00		Oil housing		1	1
64	626 77 02		Bearing cover		1	
64	626 77 01	(Ex)	Bearing cover			1
80	769 94 30		Mechanical seal dbl. AL203/ WCCR,WCCR/WCCR FPM		1	1
80	769 94 31		Mechanical seal dbl. AL203/ WCCR,RSIC/RSIC FPM		1	1
90	701 26 07		Propeller compl. 7 DEG	Mtrl. stainless steel (ASTM 316L) No of blades=2 OD=210mm Angle=7 3-phase 50Hz 60Hz	1	1
90	701 26 13		Propeller compl. 13 DEG	Mtrl. stainless steel (ASTM 316L) No of blades=2 OD=210mm Angle=13 3-phase 50Hz 60Hz	1	1
90	701 26 15		Propeller compl. 15 DEG	Mtrl. stainless steel (ASTM 316L) No of blades=2 OD=210mm Angle=15 3-phase 50Hz 60Hz	1	1

Pos. No	Part. No	Type	Denomination	Qty/Version		
				410	490	
90	701 26 18		Propeller compl. 18 DEG	Mtrl. stainless steel (ASTM 316L) No of blades=2 OD=210mm Angle=18 3-phase 50Hz	1	1
94	701 28 00		Protective plug		1	1
100	83 43 58		Cable lug UL/CSA 1.04-2.62 MM2 M6		1	1
100	83 43 58		Cable lug UL/CSA 1.04-2.62 MM2 M6		2	
100	83 42 96		Cable lug 2.5-6 MM2 M6		1	1
100	83 43 62		Cable lug UL/CSA 0.50-1.65 MM2 M6		1	1
101	83 44 24		Closed-end splice 3-6 (AWG 12-10)		1	1
101	83 44 24		Closed-end splice 3-6 (AWG 12-10)		6	6
101	83 44 24		Closed-end splice 3-6 (AWG 12-10)		7	
101	83 42 62		Closed-end splice 0.33-0.82 (AWG 22-18)		4	4
101	83 44 24		Closed-end splice 3-6 (AWG 12-10)		4	4
111	84 17 91		Seal sleeve (12)-14 MM FPM		1	1
111	84 15 86	(Ex)	Seal sleeve (10)-12 MM FPM		1	
111	84 17 91		Seal sleeve (12)-14 MM FPM		2	2
112	678 58 16	(Ex)	Cable clip 14-(16) MM		1	1
112	678 58 18	(Ex)	Cable clip 16-(18) MM		1	1
112	678 58 12	(Ex)	Cable clip 10-(12) MM		1	
112	678 58 20	(Ex)	Cable clip 18-(20) MM		1	1
114	82 42 42		Plain washer 24.5X35X2-A4-70		1	1
121	788 31 01		Entrance flange		1	
121	673 30 00	(Ex)	Entrance flange ISO G1, (14)-20 MM	Intended for power cable with metal hose.	1	1
121	788 31 00	(Ex)	Entrance flange (14)-20 MM			1
123	640 87 00		Connection housing		1	
123	640 87 01	(Ex)	Connection housing			1
124	640 88 00		Entrance cover		1	1
126	482 01 01		Cable supp.grip unit		1	1
128	630 68 00	(Ex)	Data plate USE 6306801 AS SPARE PART		2	2
128	775 91 00		Connection plate		1	1
128	630 76 00		Plate HOT WATER PRODUCT		1	
128	630 69 01	(Ex)	Certificate plate IECEX			2
128	630 69 00	(Ex)	Certificate plate EN			2
128	630 70 00	(Ex)	Certificate plate FM			2
128	801 03 02		Name plate	CSAEx		1
128	801 04 00		Caution plate	CSAEx		1
130	94 20 61		Motor cable subcab 4G1.5+2X1.5	Cable entry: (14) - 16mm Cable entry: (10) - 12mm Cable entry: (18) - 20mm	*	*
130	94 20 59		Motor cable subcab 4G2.5+2X1.5	Cable entry: (17) - 18mm	*	*

Pos. No	Part. No	Type	Denomination	Qty/Version		
				410	490	
130	94 19 79		Motor cable silicone 7G2,5	Cable entry: (10) - 12mm Max ambient temp= 90°C (194°F)	*	
130	94 19 90		Motor cable subcab S3X2.5+3X2.5/3+S(4X0.5)	Cable entry: (18) - 20mm	*	*
131	640 97 01	(Ex)	Lifting handle compl		1	1
135	817 98 00		Holder		1	1
137	518 89 02		Leakage sensor (FLS)		1	1
146	82 50 15		Lock washer NORD-LOCK M8-2343		4	4
147	630 82 00		Sleeve		4	4
207	671 39 00		Sliding bracket comp		1	1
208	671 42 00		Jet ring compl.		1	1
209	671 34 00		Clamp		2	2
210	671 43 00		Jet ring compl.		1	1
211	82 26 48		Shackle		1	1
212	671 37 00		Lifting handle half		1	1
213	671 41 00		Sleeve		1	
216	82 93 10		Strap		1	1
232	701 29 00		Protective ring		1	1
234	83 02 79		Hex.socket hd screw M6X25-A4-70		2	2
250	726 10 00		Fastening kit		1	1
400	667 40 00		Sticker		2	2
800	80 32 97		O-ring kits NBR		1	1
800	80 32 98		O-ring kits FPM		1	1
801	466 26 29		Zinc anode kit	With guide claw.	1	1
801	466 26 30		Zinc anode kit	With jet ring.	1	1
808	701 27 07		Propeller unit		1	1
808	701 27 13		Propeller unit		1	1
808	701 27 15		Propeller unit		1	1
808	701 27 18		Propeller unit		1	1
815	554 20 02		Starter START 356-600-A-PG-4.0		1	1
815	554 20 04		Starter START 356-600-A-PG-10		1	1
815	554 21 02		Starter START 356-600-B-PG-6.3		1	1
815	554 21 04		Starter START 356-600-B-PG-10		1	1
815	554 22 14		Starter 4620,0.75KW.230V/50HZ		1	1
815	554 22 15		Starter 4620,0.9KW. 230V/60HZ		1	1
815	554 23 34		Starter 4620,0.75KW.115V/50HZ		1	1
815	554 23 35		Starter 4620,0.75KW.200V/50HZ		1	1
815	554 23 36		Starter 4620,0.9KW. 115V/60HZ		1	1
815	554 23 37		Starter 4620,0.9KW. 200V/60HZ		1	1
815	554 30 02		Starter START 351-400-B-516-4		1	1
815	554 30 03		Starter START 351-400-B-516-6.3		1	1
815	554 30 42		Starter START 351-400-B-PG-4		1	1
815	554 30 43		Starter START 351-400-B-PG-6.3		1	1
815	554 30 52		Starter START 351-500-B-PG-4		1	1
815	554 30 72		Starter START 351-500-B-432-4		1	1

Pos. No	Part. No	Type	Denomination	Qty/Version		
				410	490	
900	634 01 09		Basic repair kit	NBR, AI2O3/WCCR-WCCR/WCCR	1	1
900	634 01 10		Basic repair kit	FPM, AI2O3/WCCR-WCCR/WCCR	1	1
900	634 01 11		Basic repair kit	FPM, AI2O3/WCCR-RSiC/RSiC	1	1
901	90 17 52		Oil ISO VG 32		*	*
912	82 73 85		O-ring 13.3X2.4 NBR	Extra O-rings for inspection. Sealing parts Mtrl: NBR Max ambient temp=70 DC	3	3
912	82 79 12		O-ring 13.3X2.4 FPM	Extra O-rings for inspection. Sealing parts Mtrl: FPM Max ambient temp=90 DC	3	3
914	671 33 00		Spare part kit	Guiding claw unit	1	
914	671 33 01		Spare part kit	Jet ring, compl.	1	
914	671 33 02		Spare part kit	Jet ring and guiding claw	1	
914	671 33 03		Spare part kit	Jet ring vortex	1	
914	671 33 04		Spare part kit	Jet ring with vortex and guiding claw	1	
914	671 33 05		Spare part kit	Guiding claw unit		1
914	671 33 06		Spare part kit	Jet ring		1
914	671 33 07		Spare part kit	Jet ring and guiding claw		1
914	671 33 08		Spare part kit	Jet ring with vortex		1
914	671 33 09		Spare part kit	Jet ring with vortex and guiding claw		1