

Flygt SR/PP 4630.412/.492

Table of Contents

1 Introduction.....	2
1.1 Specially approved products.....	2
2 Product Description.....	3
2.1 The data plate.....	3
2.2 Approvals.....	4
2.3 Product denomination.....	5
3 Exploded View.....	7
3.1 Exploded view.....	7
3.2 Exploded view.....	9
4 List of Parts.....	13
4.1 4630.412/.492.....	13

1 Introduction

Purpose of this manual

The purpose of this manual is to provide necessary information on spare parts and accessories order.

Disclaimer

Always use genuine Flygt parts. The use of other spare parts or accessories can invalidate any claims for warranty or compensation. Xylem does not take any responsibility for damages that are caused by the use of non-original parts. For more information, contact your local sales and service representative.

Data for ordering spare parts

The following information is needed for spare part orders:

- Serial number of the product
- Part number
- Quantity of bulk material, see * in tables

1.1 Specially approved products

Qualification of personnel

Only Xylem or Xylem-authorized service personnel may undertake repair work on specially approved products.

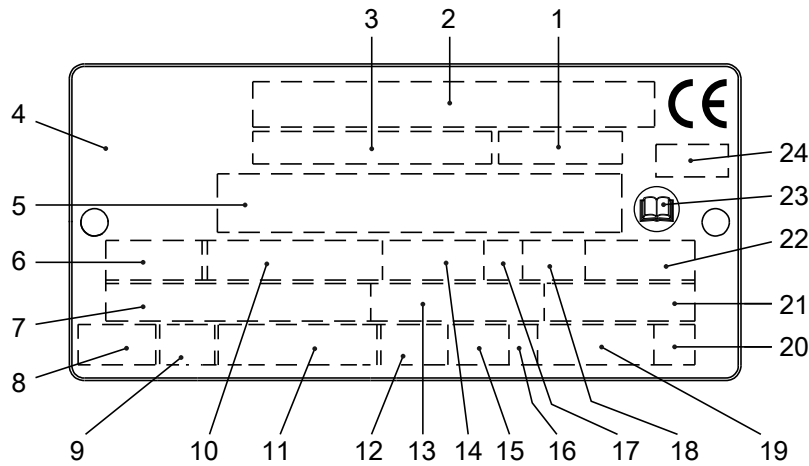
Dimensional accuracy inspection

Spare parts marked with (Ex) after the part number are subject to dimensional accuracy inspection when used in specially approved products.

2 Product Description

2.1 The data plate

The data plate is a metal label that is located on the main body of the products. The data plate lists key product specifications. Specially approved products also have an approval plate.



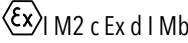
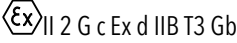
WIS006257A

1. Curve code or Propeller code
2. Serial number
3. Product number
4. Country of origin
5. Additional information
6. Phase; type of current; frequency
7. Rated voltage
8. Thermal protection
9. Thermal class
10. Rated shaft power
11. International standard
12. Degree of protection
13. Rated current
14. Rated speed
15. Maximum submergence
16. Direction of rotation: L=left, R=right
17. Duty class
18. Duty factor
19. Product weight
20. Locked rotor code letter
21. Power factor
22. Maximum ambient temperature
23. Read installation manual
24. Notified body, only for EN-approved Ex products

Figure 1: The data plate

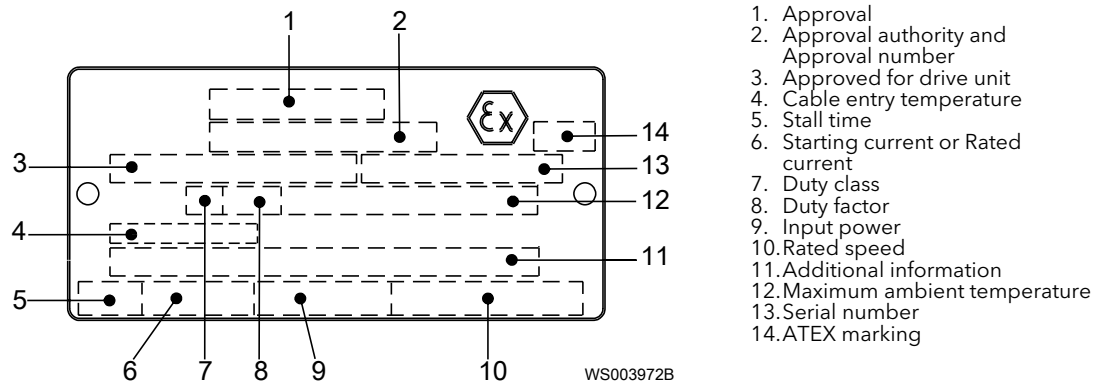
2.2 Approvals

Product approvals for hazardous locations

Product	Approval
4630.492	European Norm (EN) <ul style="list-style-type: none"> • ATEX Directive • EN 60079-0:2012/A11:2013, EN 60079-1:2007, EN 13463-1:2009, EN 13463-5:2011 •  • 
	IEC <ul style="list-style-type: none"> • IECEx scheme • IEC 60079-0, IEC 60079-1 • Ex d I Mb • Ex d IIB T3 Gb
	FM (FM Approvals) <ul style="list-style-type: none"> • Explosion proof for use in Class I, Div. 1, Group C and D • Dust ignition proof for use in Class II, Div. 1, Group E, F and G • Suitable for use in Class III, Div. 1, Hazardous Locations
	CSA Ex <ul style="list-style-type: none"> • Explosion proof for use in Class I, Div. 1, Group C and D

EN approval plate

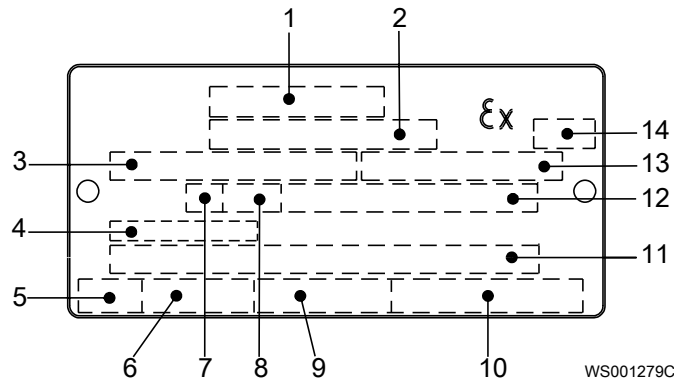
This illustration describes the EN approval plate and the information that is contained in its fields.



IEC approval plate

This illustration describes the IEC approval plate and the information that is contained in its fields.

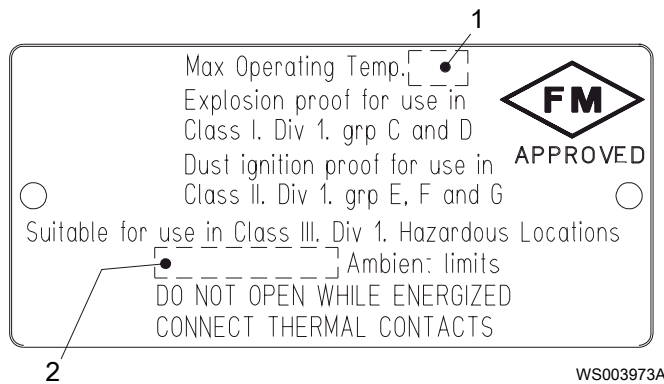
International Norm; not for EU member countries.



1. Approval
2. Approval authority and Approval number
3. Approved for drive unit
4. Cable entry temperature
5. Stall time
6. Starting current or Rated current
7. Duty class
8. Duty factor
9. Input power
10. Rated speed
11. Additional information
12. Maximum ambient temperature
13. Serial number
14. ATEX marking

FM approval plate

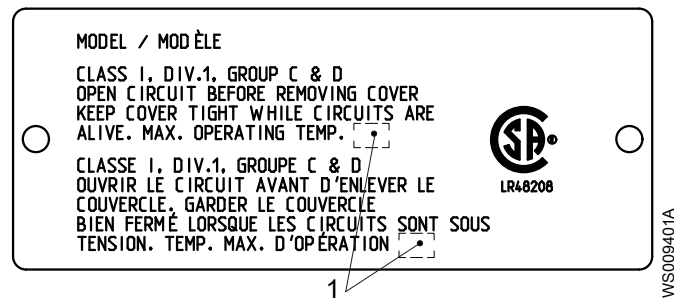
This illustration describes the FM approval plate and the information that is contained in its fields.



1. Temperature class
2. Maximum ambient temperature

CSA approval plate

This illustration describes the CSA approval plate and the information that is contained in its fields.



1. Temperature class

2.3 Product denomination

Reading instruction

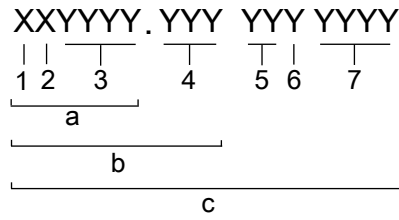
In this section, code characters are illustrated accordingly:

X = letter

Y = digit

The different types of codes are marked up with a, b and c. Code parameters are marked up with numbers.

Codes and parameters

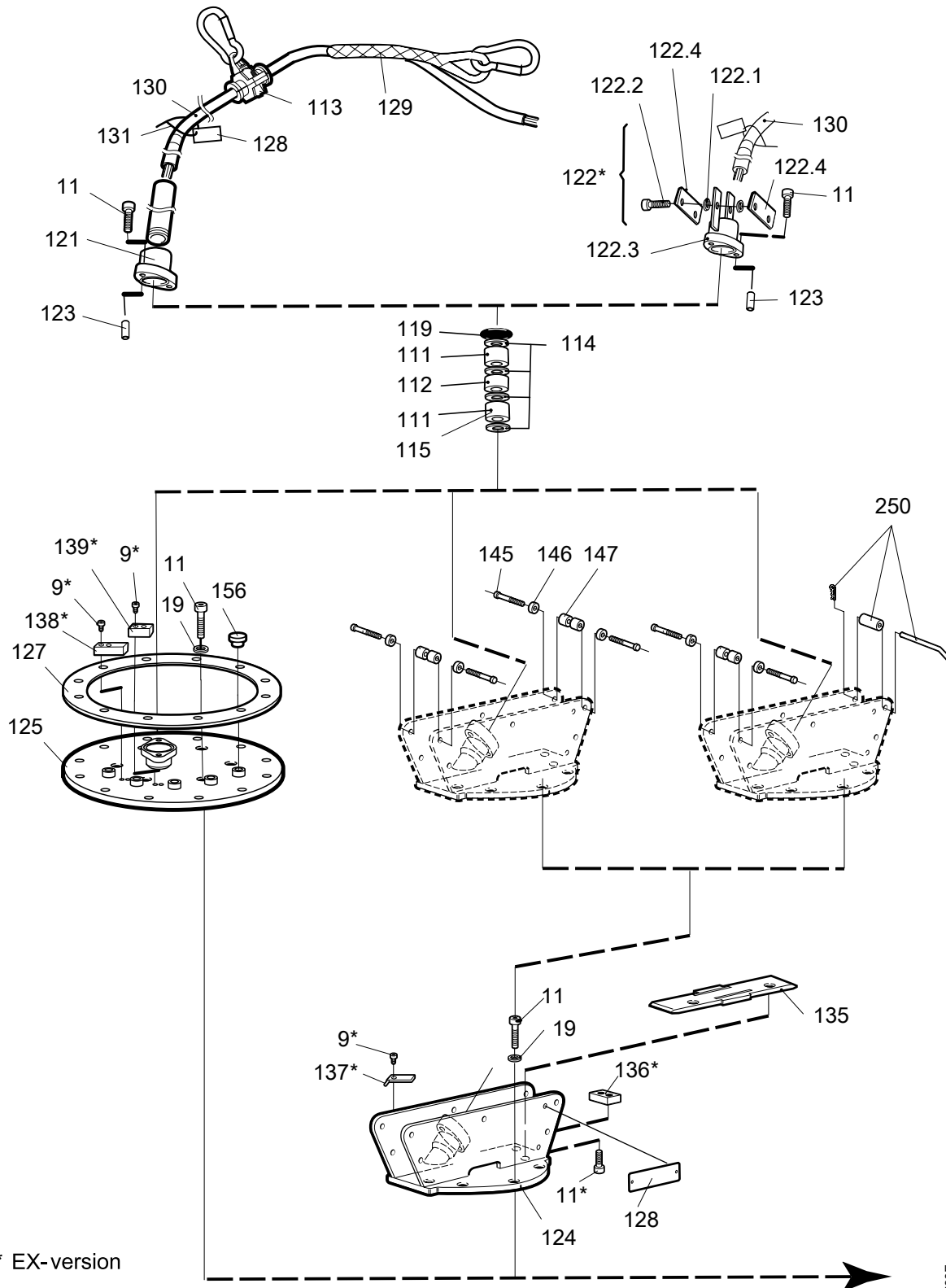


WS006265B

Type of Callout	Number	Indication
Type of code	a	Sales denomination
	b	Product code
	c	Serial number
Parameter	1	Hydraulic end
	2	Type of installation
	3	Sales code
	4	Version
	5	Production year
	6	Production cycle
	7	Running number

3 Exploded View

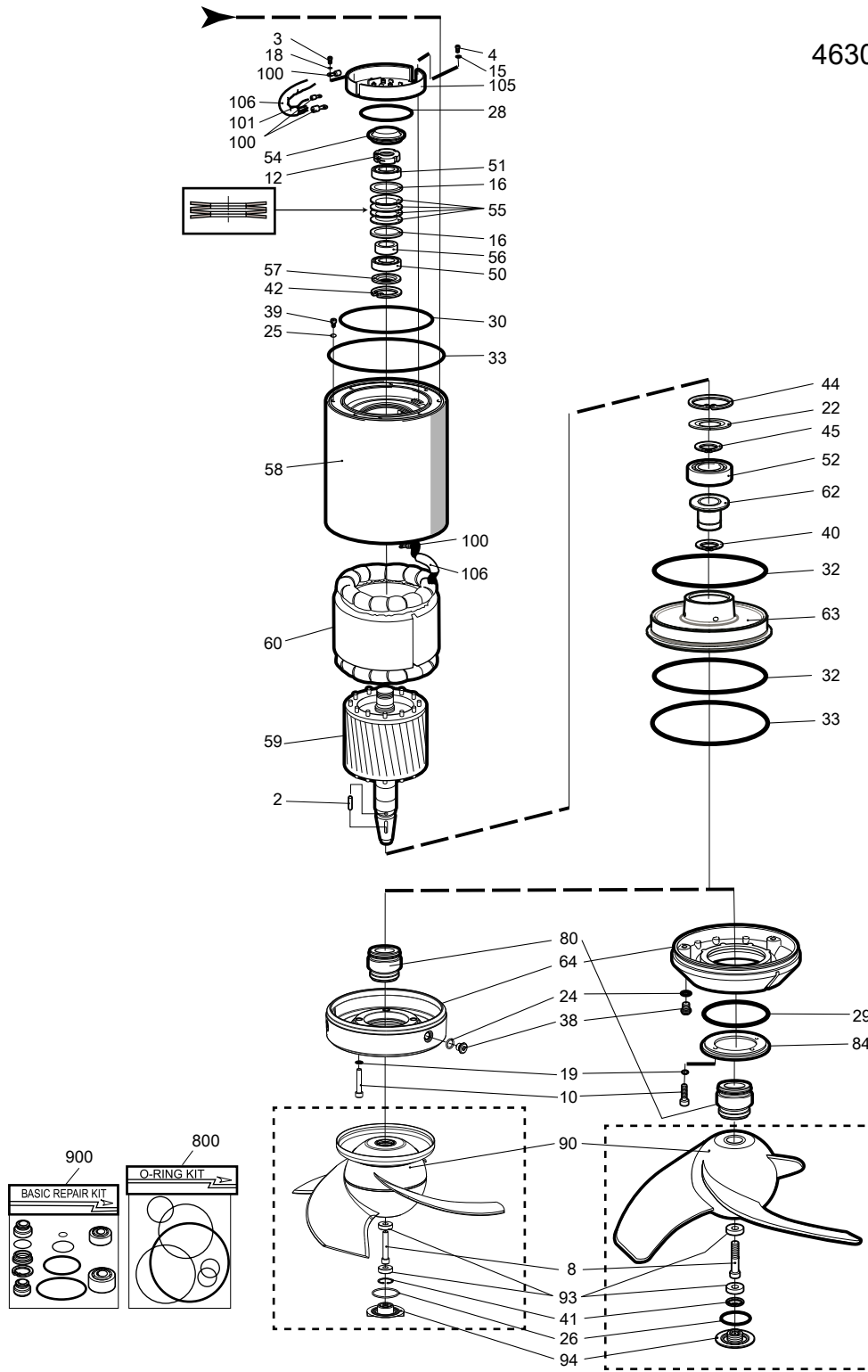
3.1 Exploded view



* EX-version

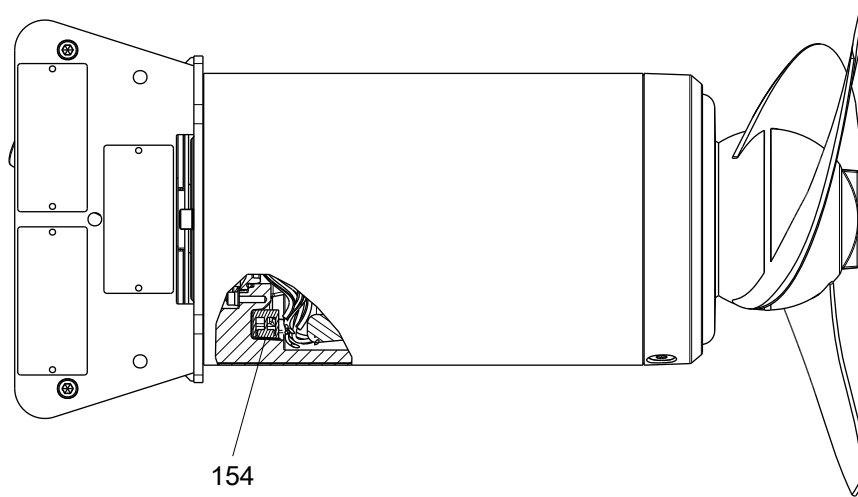
40798F

4630/4640



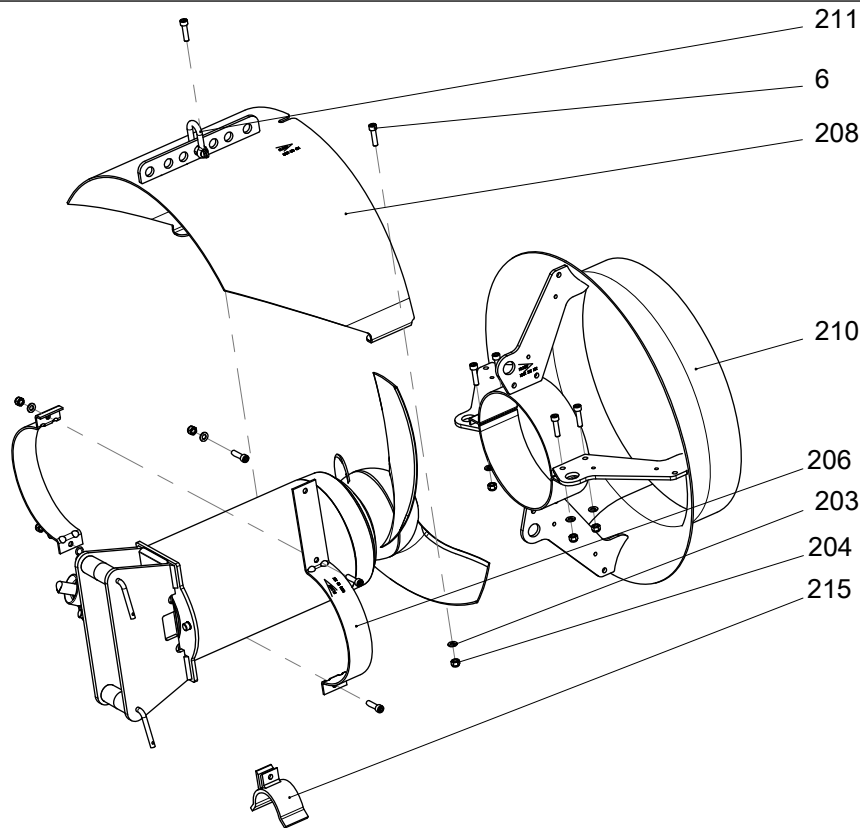
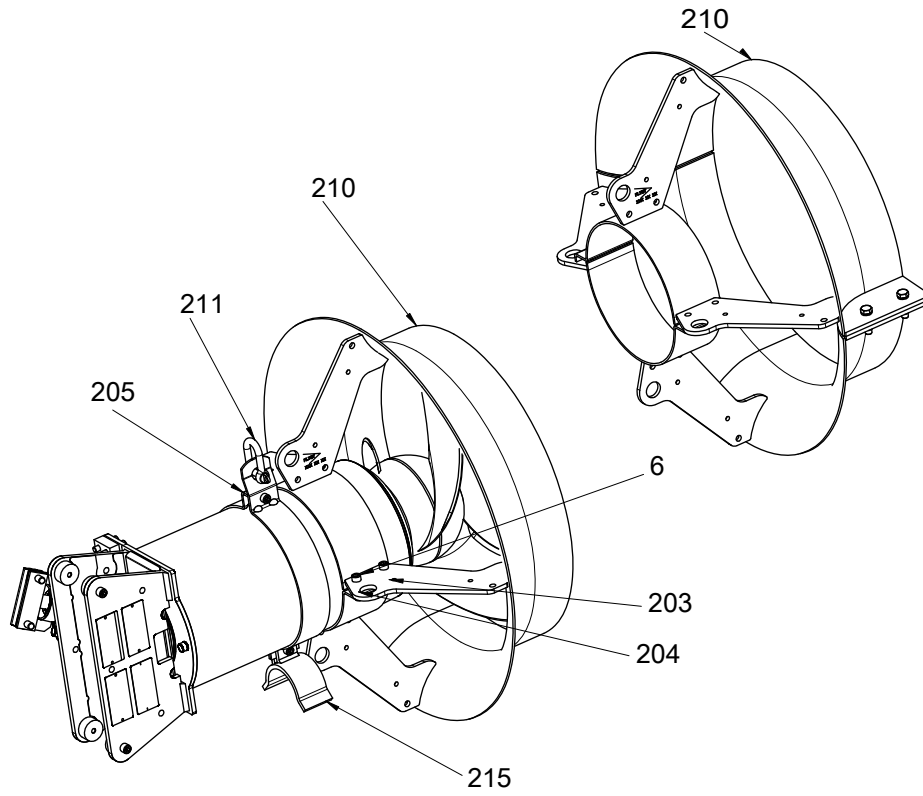
40797E

3.2 Exploded view



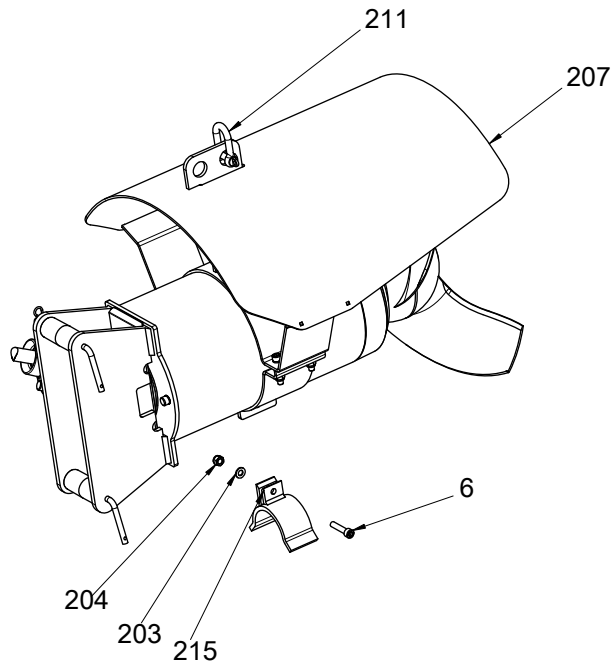
40935A

Figure 2: Sensors



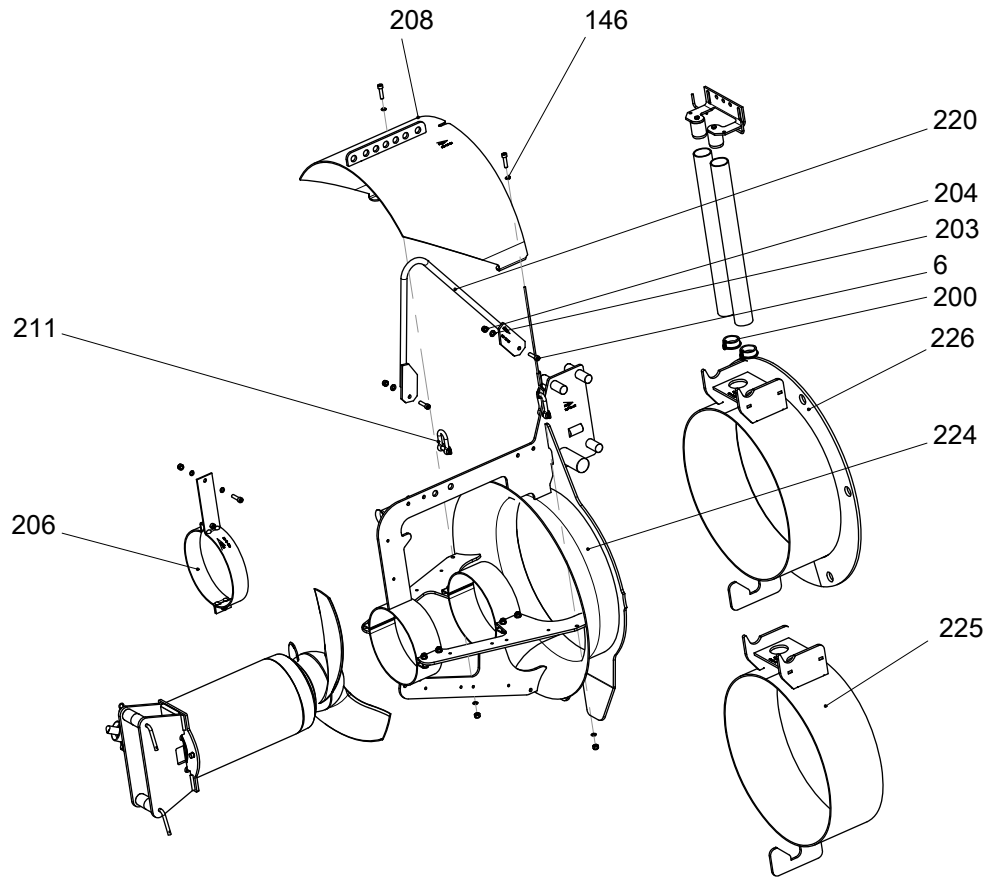
40931A

Figure 3: Jetring and vortex protection shield



40933A

Figure 4: Vortex protection shield



40934A

Figure 5: Accessories for PP pumps

4 List of Parts

4.1 4630.412/.492

Pos. No	Part. No	Type	Denomination	Qty/Version	
				412	492
3	83 02 73		Hex.socket hd screw M6X12-A4-70	1	1
4	83 02 73		Hex.socket hd screw M6X12-A4-70	3	3
6	83 04 45		Hex.socket hd screw M8X35-A4-80	4	4
6	83 04 45		Hex.socket hd screw M8X35-A4-80	1	1
6	83 04 45		Hex.socket hd screw M8X35-A4-80	5	5
6	83 04 45		Hex.socket hd screw M8X35-A4-80	10	10
6	83 04 45		Hex.socket hd screw M8X35-A4-80	11	11
6	83 04 45		Hex.socket hd screw M8X35-A4-80	8	8
9	83 04 48		Hex.socket hd screw M8X20-A4-80	2	2
9	83 04 48		Hex.socket hd screw M8X20-A4-80		5
9	83 04 48		Hex.socket hd screw M8X20-A4-80		1
9	83 04 48		Hex.socket hd screw M8X20-A4-80		4
10	83 03 06		Hex.socket hd screw M8X50-A4-70	4	4
11	83 04 45		Hex.socket hd screw M8X35-A4-80	8	10
11	83 04 45		Hex.socket hd screw M8X35-A4-80	8	8
11	83 04 45		Hex.socket hd screw M8X35-A4-80		14
12	589 44 00		Nut unit	1	1
15	82 35 73		Plain washer 6.4X12X1.6-A4-170HV	2	2
16	82 44 13		Supporting washer 35X45X2.5	2	2
18	787 20 00		Disc spring	1	1
19	583 32 01		Seal ring HNBR	10	10
19	583 32 00		Seal washer Material: FPM	10	10
22	596 37 06		Washer 32X61.8X3.3	1	1
24	82 73 85		O-ring 13.3X2.4 NBR	2	2
24	82 79 12		O-ring 13.3X2.4 FPM	2	2
25	82 74 39		O-ring 3.1X1.6 NBR	1	1
26	82 74 00		O-ring 44.2X3 NBR	1	1
26	82 80 97		O-ring 44.2X3 FPM	1	1
28	82 74 70		O-ring 84.5X3 NBR	1	1
30	82 78 19		O-ring 123X3 NBR	1	1
30	82 95 60		O-ring 123X3 FPM	1	1
32	82 78 34		O-ring 170X3 NBR	2	2
32	82 95 54		O-ring 170X3 FPM	2	2
33	82 78 42		O-ring 184.5X3 NBR	2	2
33	82 71 42		O-ring 183.5X3 FPM	2	2
38	303 44 08		Plug	2	2
39	583 88 00	(Ex)	Inspection screw	1	1
40	82 59 65		Retaining ring 471-25X2	1	1
42	82 62 01		Retaining ring SGH 40	1	1

Pos. No	Part. No	Type	Denomination	Qty/Version		
				412	492	
44	82 62 12		Retaining ring SGH 62	1	1	
45	82 63 86		Retaining ring 25-SPRING STEEL	1	1	
50	83 57 05		Roller bearing ECJ/M C3 17X40X12	1	1	
51	85 03 49		Ball bearing 7203 17X40X12	1	1	
52	85 03 50		Ball bearing 7305 25X62X17	1	1	
54	569 14 00		Cover	1	1	
55	582 95 00		Disc spring	4	4	
56	584 86 00		Sleeve	1	1	
57	584 85 00		Supporting washer	1	1	
58	582 97 01		Stator housing unit	1		
58	582 97 11	(Ex)	Stator housing unit		1	
59	569 09 02	(Ex)	Shaft unit	1	1	
60	678 11 23	(Ex)	Stator 18-08-8a	50 Hz 8-poles 230V Y	1	1
60	678 11 25	(Ex)	Stator 18-08-8a	50 Hz 8-poles 180V-190V Y 60 Hz 8-poles 200V-208V Y	1	1
60	678 11 31	(Ex)	Stator 18-08-8a	50 Hz 8-poles 400V Y 60 Hz 8-poles 460V-480V Y	1	1
60	678 11 43	(Ex)	Stator 18-08-8a	50 Hz 8-poles 415V-440V Y	1	1
60	678 11 34	(Ex)	Stator 18-08-8a	50 Hz 8-poles 380V Y 60 Hz 8-poles 440V-460V Y	1	1
60	678 11 51	(Ex)	Stator 18-08-8a	50 Hz 8-poles 500V Y 60 Hz 8-poles 575V-600V Y	1	1
60	678 11 29	(Ex)	Stator 18-08-8a	60 Hz 8-poles 260V-380V Y	1	1
60	678 11 24	(Ex)	Stator 18-08-8a	50 Hz 8-poles 200V-208V Y 60 Hz 8-poles 230V-240V Y	1	1
60	678 11 55	(Ex)	Stator 18-08-8a	50 Hz 8-poles 1000V Y	1	1
60	678 11 39	(Ex)	Stator 18-08-8a	50 Hz 8-poles 690V Y	1	1
62	694 60 01		Sleeve	1		
62	716 21 00	(Ex)	Sleeve		1	
63	569 67 02		Bearing housing	1		
63	569 67 12	(Ex)	Bearing housing		1	
64	724 18 01		Oil housing	1	1	
80	769 87 33		Mechanical seal AL203/ WCCR,WCCR/WCCR FPM	1	1	
80	769 87 34		Mechanical seal AL203/WCCR,RSIC/ RSIC FPM	1	1	
90	724 19 05		Propeller compl.	stainless steel (ASTM 316L) Angle 5	1	1
90	724 19 06		Propeller compl.	stainless steel (ASTM 316L) Angle 6	1	1
90	724 19 07		Propeller compl.	stainless steel (ASTM 316L) Angle 7	1	1
90	724 19 08		Propeller compl.	stainless steel (ASTM 316L) Angle 8	1	1
90	724 19 09		Propeller compl.	stainless steel (ASTM 316L) Angle 9	1	1
90	724 19 10		Propeller compl.	stainless steel (ASTM 316L) Angle 10	1	1
90	724 19 11		Propeller compl.	stainless steel (ASTM 316L) Angle 11	1	1
90	728 85 05		Propeller compl.	Hard-Iron TM Angle 5	1	1
90	728 85 07		Propeller compl.	Hard-Iron TM Angle 7	1	1

Pos. No	Part. No	Type	Denomination	Qty/Version	
				412	492
90	728 85 09		Propeller compl. Hard-Iron TM Angle 9	1	1
90	728 85 11		Propeller compl. Hard-Iron TM Angle 11	1	1
100	83 44 24		Closed-end splice 3-6 (AWG 12-10)	1	1
100	83 43 58		Cable lug UL/CSA 1.04-2.62 MM2 M6	1	1
100	83 42 62		Closed-end splice 0.33-0.82 (AWG 22-18)	2	2
100	83 42 96		Cable lug 2.5-6 MM2 M6	1	1
100	83 43 62		Cable lug UL/CSA 0.50-1.65 MM2 M6	1	1
101	83 42 20		End sleeve (1.5)-2.5 MM2; L=6.9MM	5	5
101	83 42 20		End sleeve (1.5)-2.5 MM2; L=6.9MM	3	3
101	83 42 36		End sleeve 0.75 MM2; L=6 MM	2	2
105	595 53 00		Connection term boar	1	1
106	94 05 88		Insulating hose D=16 MM	*	*
106	94 03 33		Shrink hose ID=3.2 MM	*	*
106	94 03 34		Shrink hose ID=6.4 MM	*	*
111	84 17 93		Seal sleeve (16)-18 MM NBR	2	2
111	84 17 92		Seal sleeve (14)-16 MM NBR	2	2
111	84 17 93		Seal sleeve (16)-18 MM NBR	4	4
111	84 17 94		Seal sleeve (18)-20 MM NBR	2	2
111	84 70 09		Seal sleeve (10)-12 MM FPM	2	
112	611 15 02		Sleeve SS 144104-06/ISO 209-1+2	1	1
114	82 42 42		Plain washer 24.5X35X2-A4-70	4	4
115	84 70 09		Seal sleeve (10)-12 MM FPM		2
119	82 73 99		O-ring 42.2X3 NBR	1	1
119	82 81 01		O-ring 42.2X3 FPM	1	1
121	611 13 01	(Ex)	Entrance flange	1	1
121	643 29 01	(Ex)	Entrance flange Thread : ISO G1 Inner	1	1
121	643 29 04	(Ex)	Entrance flange Thread : 1-11,5NPT Inner	1	1
122	625 33 03		Entrance flange		1
122,1	82 35 74		Plain washer 8.4X16X1.8-A4-170HV		8
122,2	83 04 45		Hex.socket hd screw M8X35-A4-80		4
122,3	625 28 03		Entrance flange		1
122,4	728 41 01		Plate		1
122,4	728 41 03		Plate		1
123	83 10 27		Cap 10X25 MM PE	2	2
123	82 97 67		Cap 17X25 MM PVC	1	1
123	82 97 68		Cap 18X25 MM PVC	1	1
123	82 97 60		Cap 10X20 MM PVC	1	1
124	637 65 01		Fixing plate compl. 50 x 50 mm Mtrl:stainless steel (ASTM 316L) PP Mtrl:stainless steel (ASTM 316L)	1	

Pos. No	Part. No	Type	Denomination	Qty/Version	
				412	492
124	637 65 05		Fixing plate compl. 50 x 100 mm Mtrl:stainless steel (ASTM 316L)	1	
124	637 65 03		Fixing plate compl. 50 x 50 mm Mtrl:stainless steel (ASTM 304) PP Mtrl:stainless steel (ASTM 304)	1	
124	637 65 07		Fixing plate compl. 50 x 100 mm Mtrl:stainless steel (ASTM 304)	1	
124	637 65 11	(Ex)	Fixing plate compl. 50 x 50 mm Mtrl:stainless steel (ASTM 316L) PP Mtrl:stainless steel (ASTM 316L)		1
124	637 65 15	(Ex)	Fixing plate compl. 50 x 100 mm Mtrl:stainless steel (ASTM 316L)		1
124	637 65 13	(Ex)	Fixing plate compl. 50 x 50 mm Mtrl:stainless steel (ASTM 304) PP Mtrl:stainless steel (ASTM 304)		1
124	637 65 14	(Ex)	Fixing plate compl. 50 x 100 mm Mtrl:stainless steel (ASTM 304)		1
125	786 47 01	(Ex)	Fixing plate compl.	1	1
127	618 30 00		Gasket	1	1
128	630 68 00		Data plate USE 6306801 AS SPARE PART	2	2
128	775 04 00		Connection plate	1	1
128	630 76 00		Plate HOT WATER PRODUCT	1	1
128	630 69 01	(Ex)	Certificate plate IECEX		2
128	630 69 00		Certificate plate EN		2
128	630 70 00		Certificate plate FM		2
128	801 03 04		Name plate CSAEx		1
128	801 04 00		Caution plate CSAEx		1
129	482 01 01		Cable supp.grip unit	1	1
130	94 20 59		Motor cable subcab 4G2.5+2X1.5	*	*
130	94 19 90		Motor cable subcab S3X2.5+3X2.5/3+S(4X0.5)	*	*
130	94 20 91		Motor cable hcr 7X2,5 S07E6E5-F7G2,5	*	*
131	83 45 59		Cable tie 200X2.4 PA 6/6 -55+105	1	1
135	631 61 00		Plate	1	
135	631 61 01		Plate		1
136	582 78 01		Square nut		1
138	610 69 01		Plate 80x20x12		1
139	618 45 01		Plate		1
142	580 73 00		Handle		1
143	80 66 06		Cotter pin		1
144	569 16 00		Sleeve SMC		1
145	83 04 48		Hex.socket hd screw M8X20-A4-80	4	
146	82 50 15		Lock washer NORD-LOCK M8-2343	4	4
146	82 50 15		Lock washer NORD-LOCK M8-2343		2
147	630 82 00		Sleeve	4	4
147	630 82 00		Sleeve		2

Pos. No	Part. No	Type	Denomination	Qty/Version	
				412	492
154	518 89 02		Leakage sensor (FLS)	1	1
200	83 09 36		Plug D54XH27	2	2
200	83 09 38		Plug D51XH27	2	2
203	82 35 74		Plain washer 8.4X16X1.8-A4-170HV	4	4
203	82 35 74		Plain washer 8.4X16X1.8-A4-170HV	1	1
203	82 35 74		Plain washer 8.4X16X1.8-A4-170HV	7	7
203	82 35 74		Plain washer 8.4X16X1.8-A4-170HV	10	10
203	82 35 74		Plain washer 8.4X16X1.8-A4-170HV	13	13
203	82 35 74		Plain washer 8.4X16X1.8-A4-170HV	8	8
204	82 27 27		Lock nut M8-A4-70	4	4
204	82 27 27		Lock nut M8-A4-70	1	1
204	82 27 27		Lock nut M8-A4-70	7	7
204	82 27 27		Lock nut M8-A4-70	10	10
204	82 27 27		Lock nut M8-A4-70	13	13
204	82 27 27		Lock nut M8-A4-70	8	8
205	597 73 01		Lifting handle unit	1	1
206	696 23 01		Handle unit	1	1
207	704 86 01		Vortex unit	1	1
208	693 24 01		Protect.disc compl.	1	1
210	693 21 01		Jet ring compl. Material: stainless steel (ASTM 316L)	1	1
210	693 21 03		Jet ring compl. Material: stainless steel (ASTM 304)	1	1
211	82 26 50		Shackle	1	1
215	788 78 00		Support	1	1
220	703 57 01		Lifting handle compl	1	1
224	703 45 01		Inlet cone compl. PP Material: stainless steel (ASTM 316L)	1	1
224	703 45 03		Inlet cone compl. PP Material: stainless steel (ASTM 304)	1	1
225	719 02 01		Flange unit	1	1
225	719 03 01		Flange	1	1
227	613 68 04		Guide bracket unit STAINLESS	1	1
250	726 10 00		Fastening kit	1	1
400	667 40 00		Sticker	2	2
800	80 32 88		O-ring kits 4630.410,4640.410; NBR	1	1
800	80 32 89		O-ring kits 4630.410,4640.410; FPM	1	1
801	466 26 25		Zinc anode kit	1	1
801	466 26 28		Zinc anode kit	1	1
801	466 26 35		Zinc anode kit	1	1
801	466 26 38		Zinc anode kit	1	1
810	707 66 00		Rebuilding kit	1	
810	715 03 00		Rebuilding kit NBR, WCCR	1	
810	715 03 01		Rebuilding kit FPM, WCCR	1	
810	715 03 02		Rebuilding kit FPM, RSIC	1	

Pos. No	Part. No	Type	Denomination	Qty/Version	
				412	492
900	731 92 01		Repair kit FOR PP PUMPS	1	1
900	731 92 03		Repair kit FOR PP PUMPS	1	1
900	816 18 00		Basic repair kit	1	1
900	816 19 00		Basic repair kit	1	1
900	816 20 00		Basic repair kit	1	1
901	90 17 52		Oil ISO VG 32	*	*
902	90 20 58		Grease PAIL 16KG	*	*
912	82 73 85		O-ring 13.3X2.4 NBR	2	2
912	82 79 12		O-ring 13.3X2.4 FPM	2	2