



## CP 3127 MT 3~ 431

### Karakteristiek

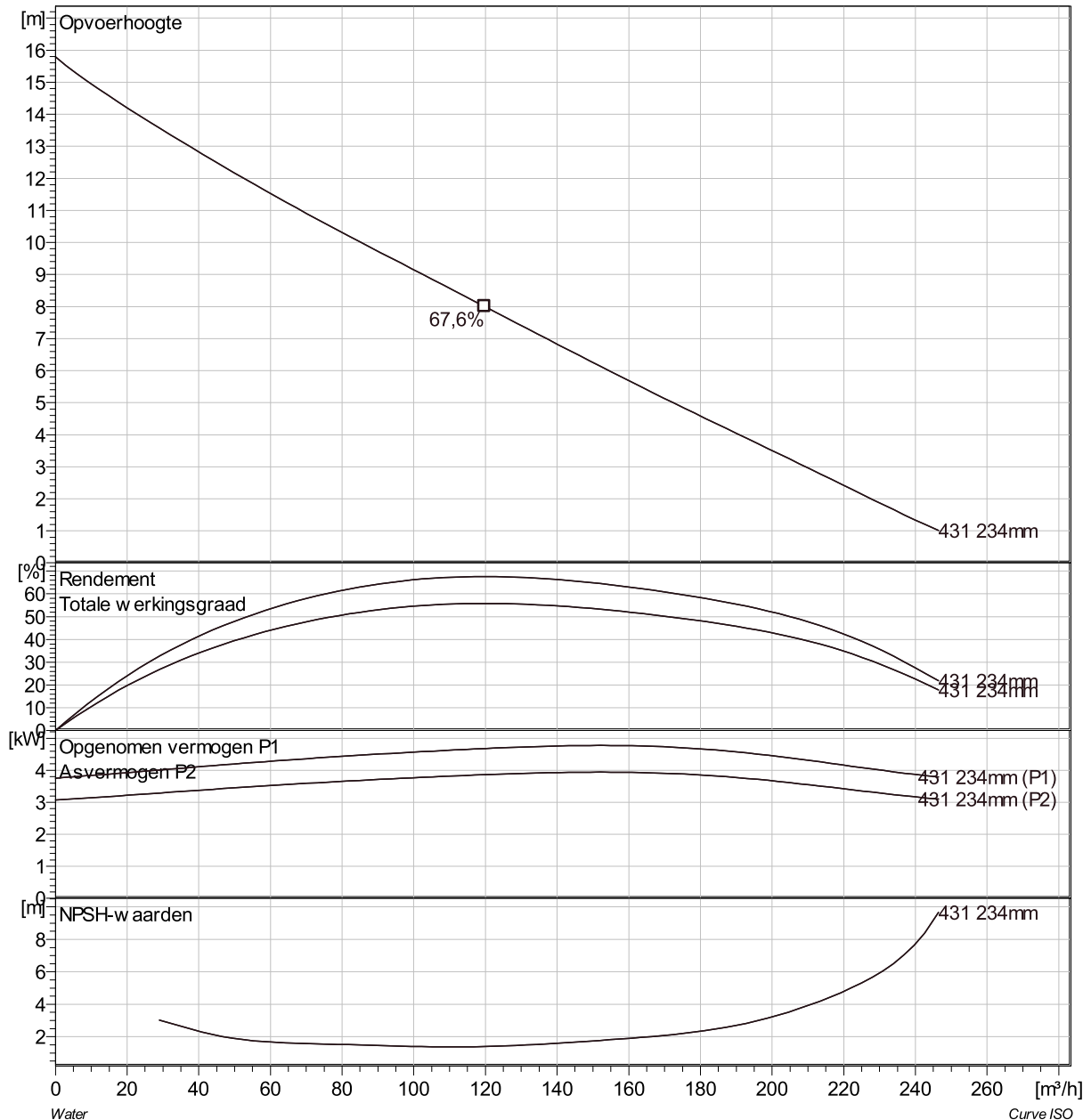
#### Pomp

Persaansluiting	100 mm
Diameter aanzuigzijde	100 mm
Impeller diameter	234 mm
Aantal bladen	1
Throughlet diameter	100 mm

#### Motor

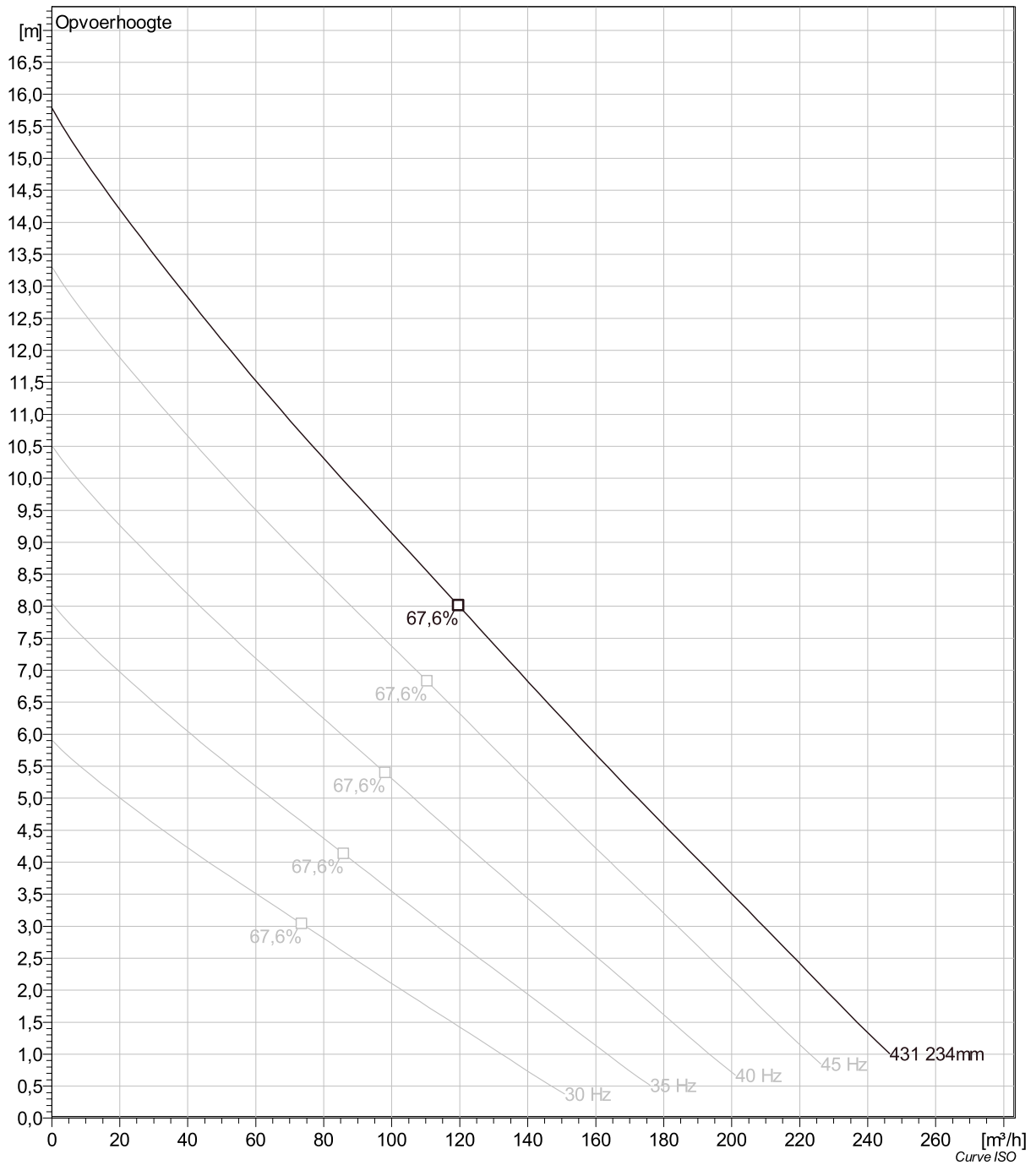
Motor #	C3127.182 21-10-4AL-W 4.7KW
Stator variant	28
Frequentie	50 Hz
Nominale spanning	190 V
Aantal polen	4
Fasen	3~
Nominaal vermogen	4,7 kW
Toegekende stroom	21 A
Aanloopstroom	138 A
Nominaal toerental	1450 rpm

Vermogensfactor	
1/1 Load	0,82
3/4 Load	0,76
1/2 Load	0,65
Motor efficiency	
1/1 Load	82,4 %
3/4 Load	82,3 %
1/2 Load	79,8 %



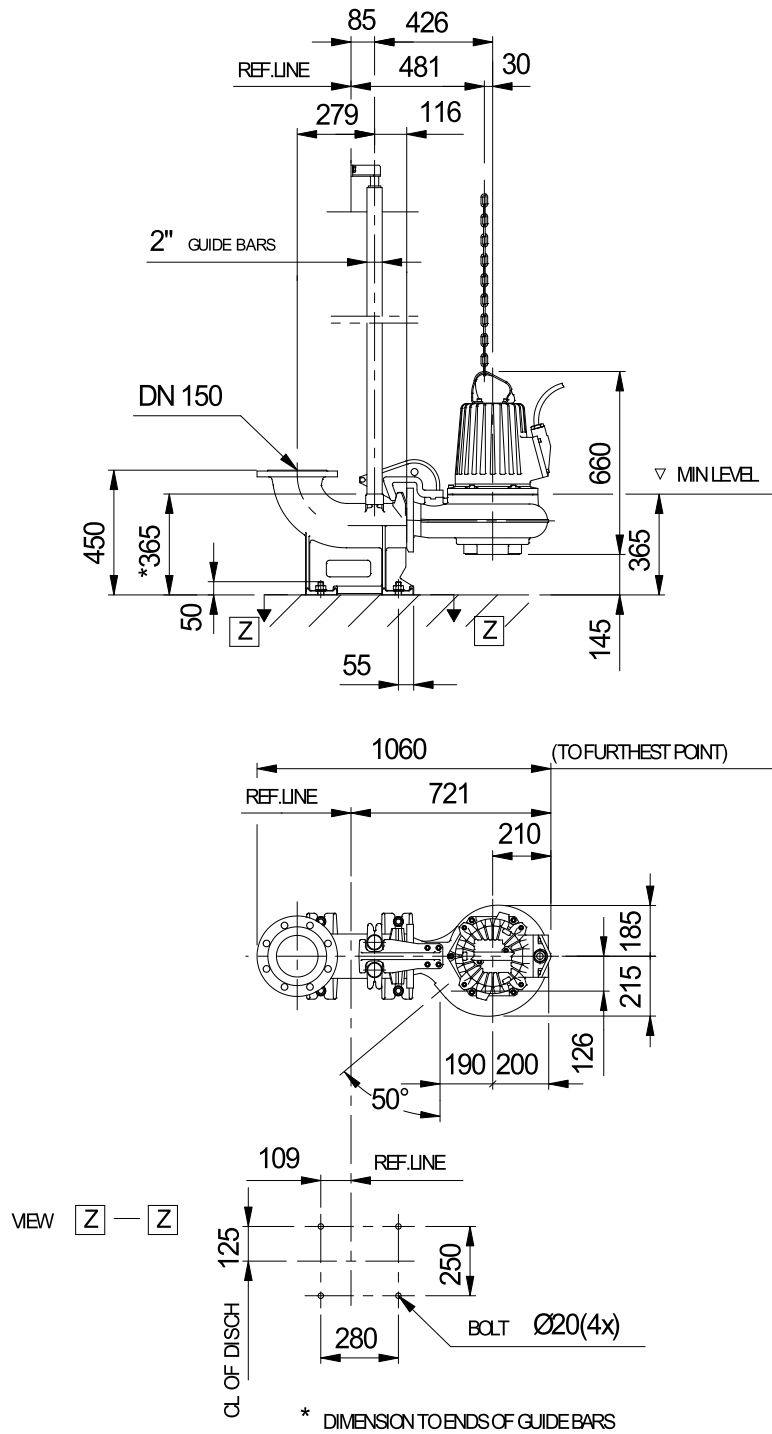
Project	Project ID	Created by	Created on 9/28/2018	Last update
---------	------------	------------	-------------------------	-------------

## CP 3127 MT 3~ 431 VFD Analysis



Project	Project ID	Created by	Created on	Last update
			9/28/2018	

## CP 3127 MT 3~ 431 Dimensional drawing



Weight

Dimensional drwg  
CP3127MT

Project	Project ID	Created by	Created on	Last update
			9/28/2018	