



## NS 3127 SH 3~ Adaptive 249

### Karakteristiek

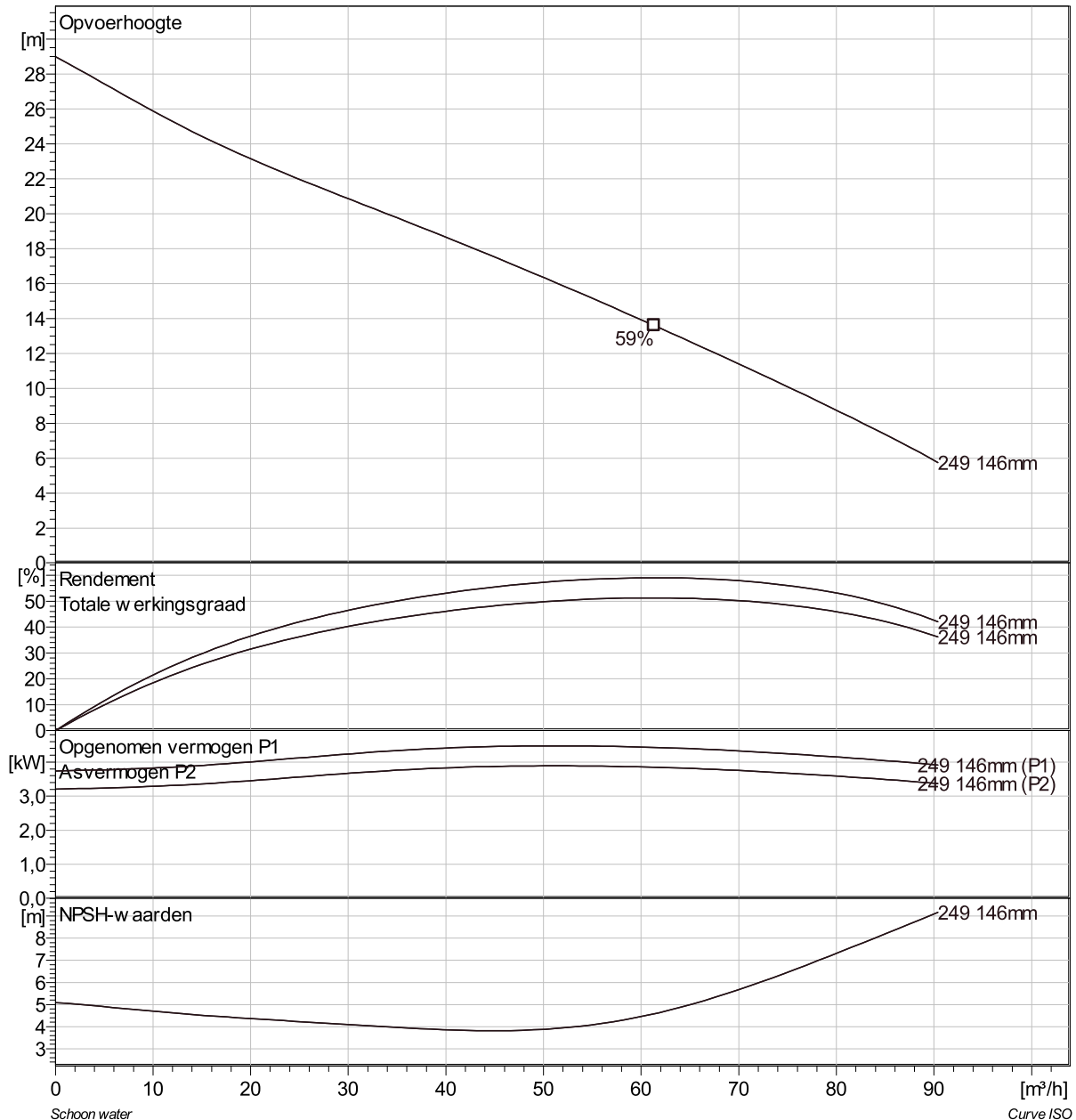
#### Pomp

Persaansluiting	80 mm
Diameter aanzuigzijde	90 mm
Impeller diameter	146 mm
Aantal bladen	2

#### Motor

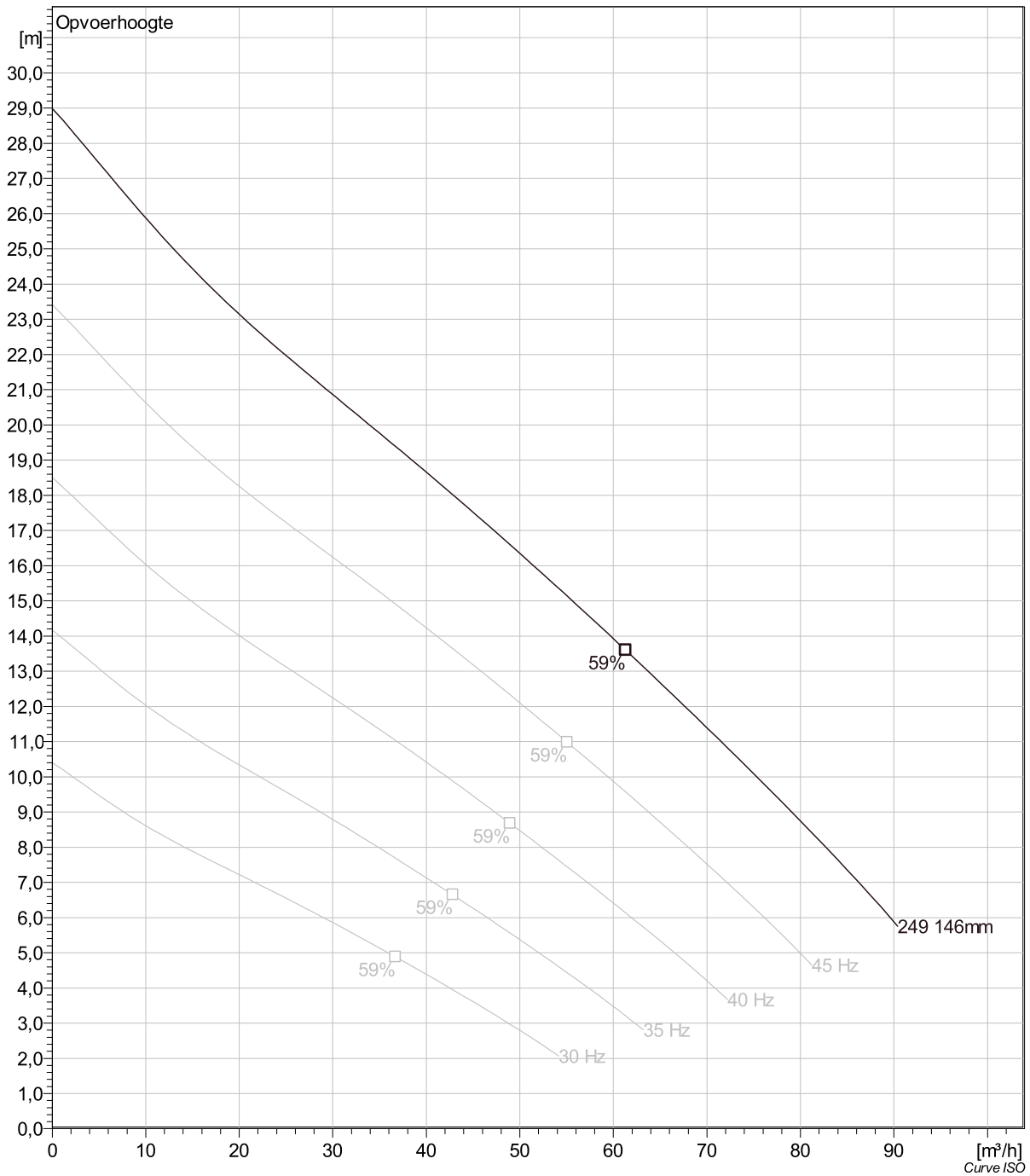
Motor #	N3127.161 21-11-2AL-W 7.4KW
Stator variant	28
Frequentie	50 Hz
Nominale spanning	190 V
Aantal polen	2
Fasen	3~
Nominaal vermogen	7,4 kW
Toegekende stroom	30 A
Aanloopstroom	274 A
Nominaal toerental	2910 rpm

Vermogensfactor	
1/1 Load	0,85
3/4 Load	0,79
1/2 Load	0,69
Rendement	
1/1 Load	87,5 %
3/4 Load	87,9 %
1/2 Load	86,7 %



Project	Project ID	Created by	Created on 10/5/2018	Last update
---------	------------	------------	-------------------------	-------------

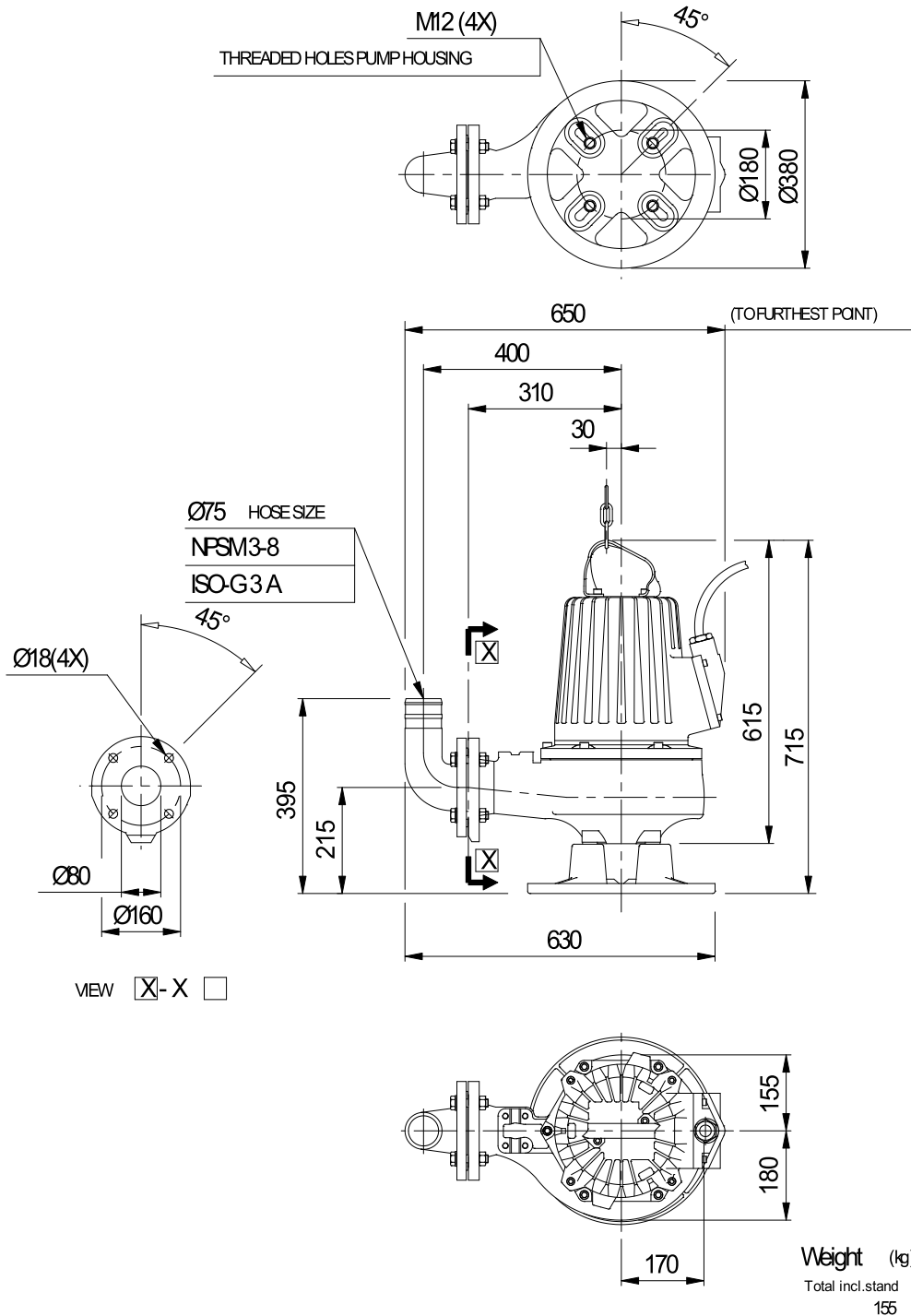
## NS 3127 SH 3~ Adaptive 249 VFD Analysis



Project	Project ID	Created by	Created on	Last update
			10/5/2018	

## NS 3127 SH 3~ Adaptive 249

Dimensional drawing



Dimensional dwg  
FS, NS3127 SH

Project	Project ID	Created by	Created on	Last update
			10/5/2018	