



## NS 3153 HT 3~ 455

### Karakteristiek

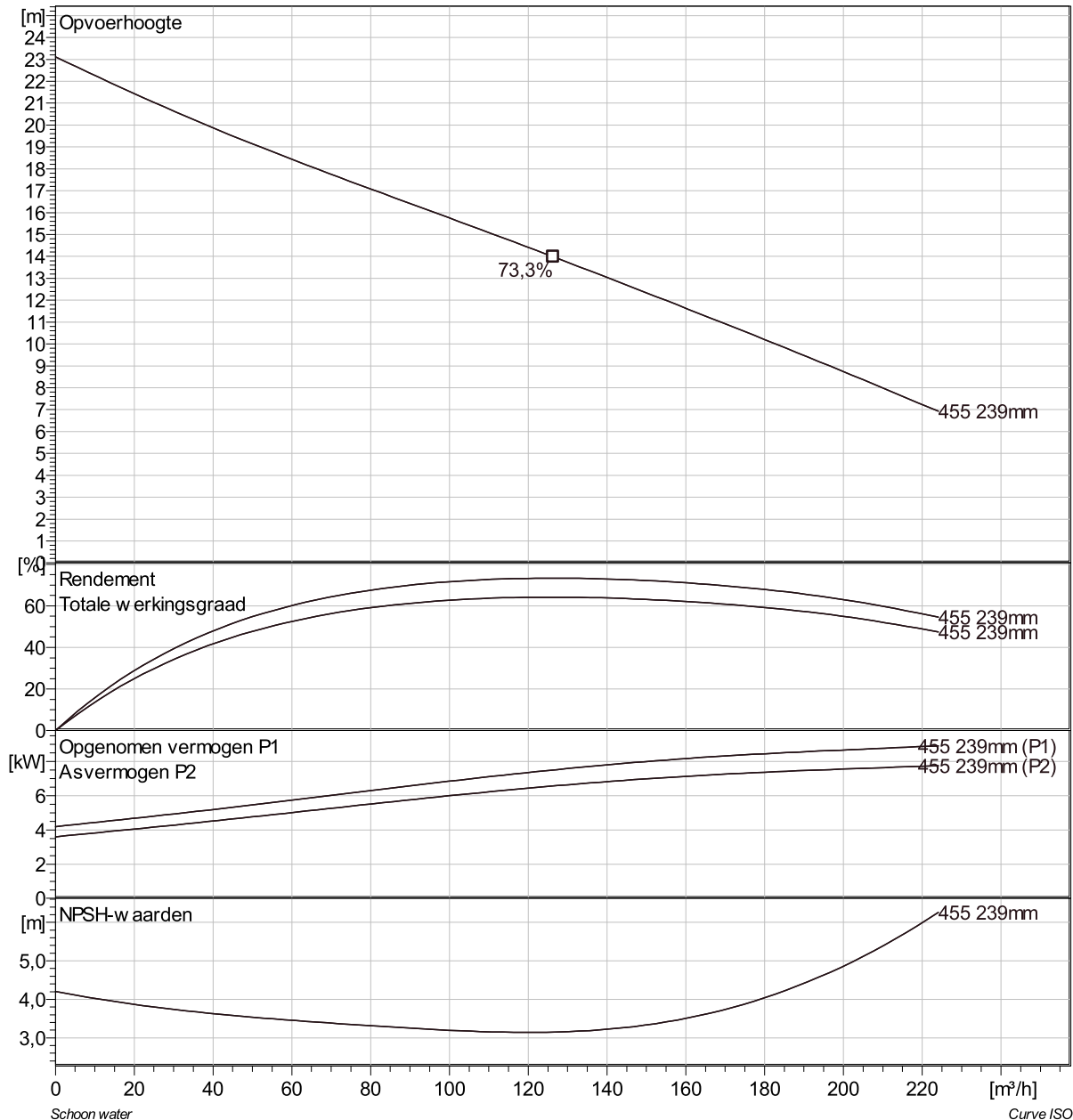
#### Pomp

|                       |        |
|-----------------------|--------|
| Persaansluiting       | 100 mm |
| Diameter aanzuigzijde | 100 mm |
| Impeller diameter     | 239 mm |
| Aantal bladen         | 2      |

#### Motor

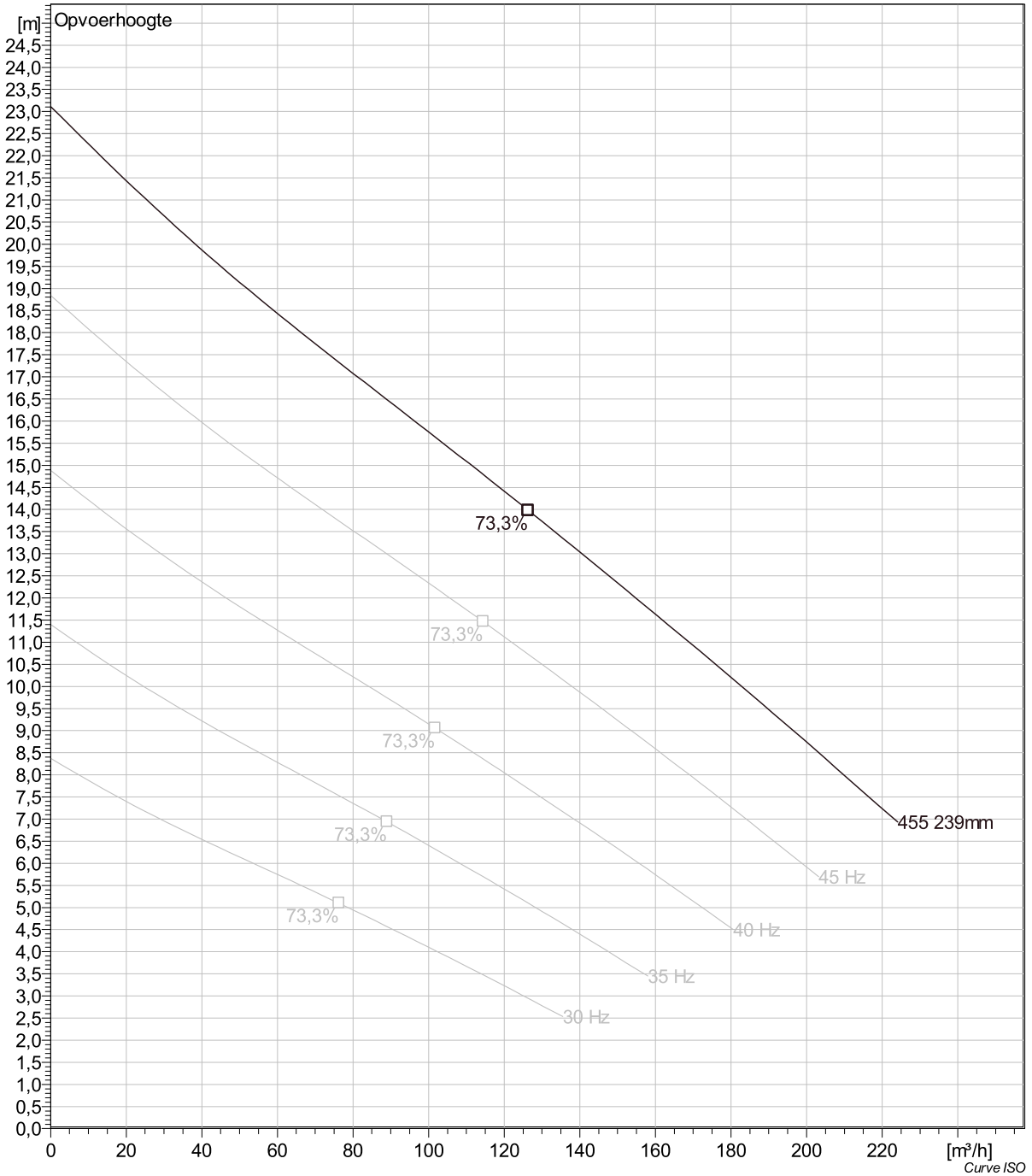
|                    |                           |
|--------------------|---------------------------|
| Motor #            | N3153.181 21-15-4AA-W 9KW |
| Stator variant     | 2                         |
| Frequentie         | 50 Hz                     |
| Nominale spanning  | 230 V                     |
| Aantal polen       | 4                         |
| Fasen              | 3~                        |
| Nominaal vermogen  | 9 kW                      |
| Toegekende stroom  | 32 A                      |
| Aanloopstroom      | 181 A                     |
| Nominaal toerental | 1460 rpm                  |

|                  |        |
|------------------|--------|
| Vermogensfactor  |        |
| 1/1 Load         | 0,82   |
| 3/4 Load         | 0,75   |
| 1/2 Load         | 0,63   |
| Motor efficiency |        |
| 1/1 Load         | 86,0 % |
| 3/4 Load         | 87,0 % |
| 1/2 Load         | 87,0 % |



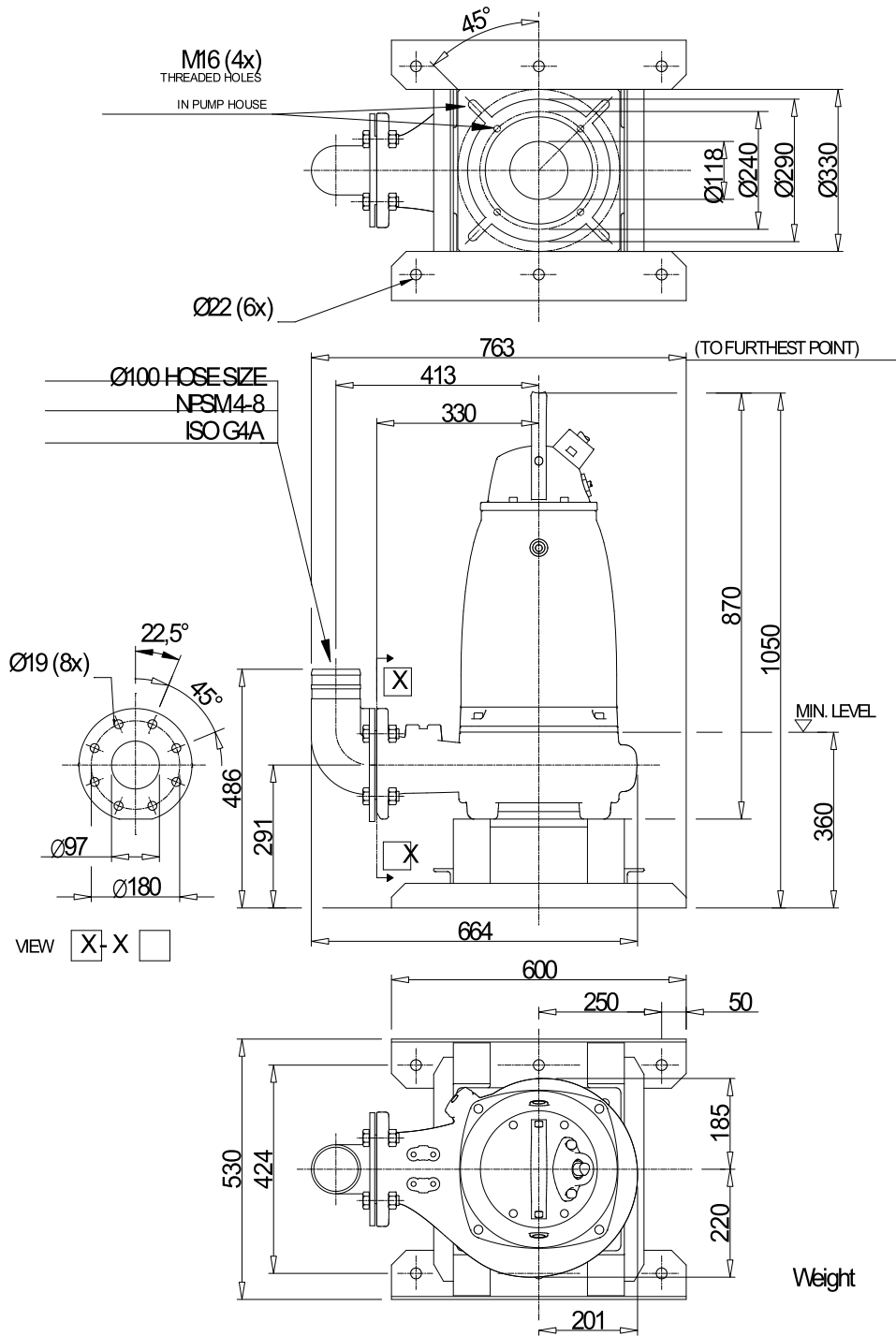
|         |            |            |                         |             |
|---------|------------|------------|-------------------------|-------------|
| Project | Project ID | Created by | Created on<br>10/5/2018 | Last update |
|---------|------------|------------|-------------------------|-------------|

## NS 3153 HT 3~ 455 VFD Analysis



| Project | Project ID | Created by | Created on | Last update |
|---------|------------|------------|------------|-------------|
|         |            |            | 10/5/2018  |             |

## NS 3153 HT 3~ 455 Dimensional drawing



NS,FS 3153 HT

Weight

| Project | Project ID | Created by | Created on | Last update |
|---------|------------|------------|------------|-------------|
|         |            |            | 10/5/2018  |             |