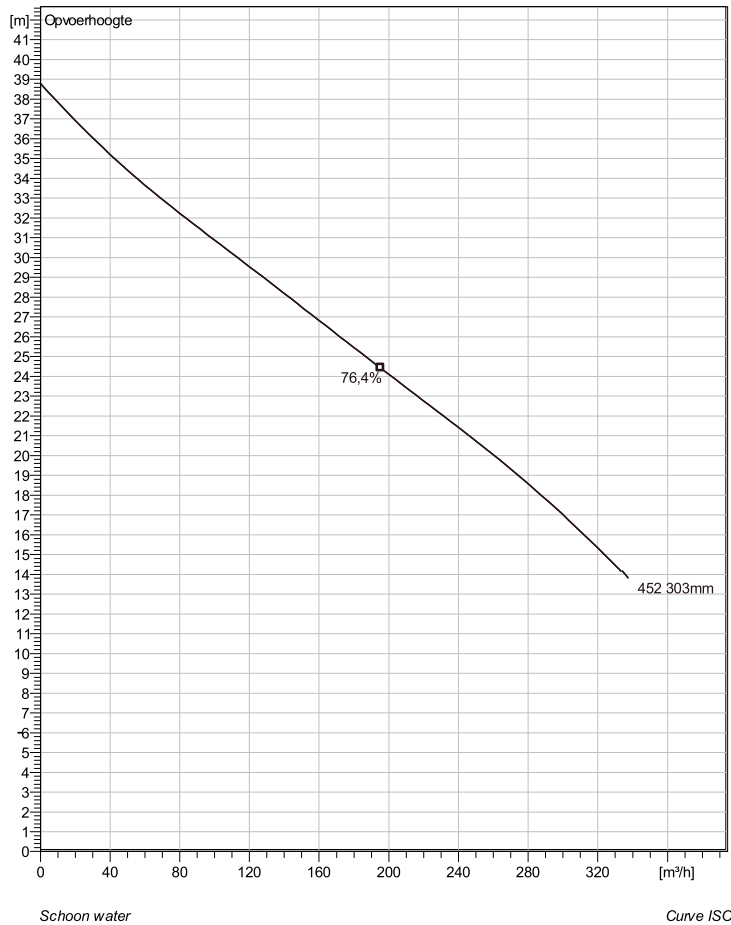


NS 3171 HT 3~ 452 Technische specificaties



Note: Picture might not correspond to the current configuration.

General

Dompelbare pompen voorzien van een verstopingsongevoeilige N-waaiër. Geschikt voor afvalwater met grotere delen zoals rioolwater, regenwater en industriële afvalwater. Materiaal gietijzer.

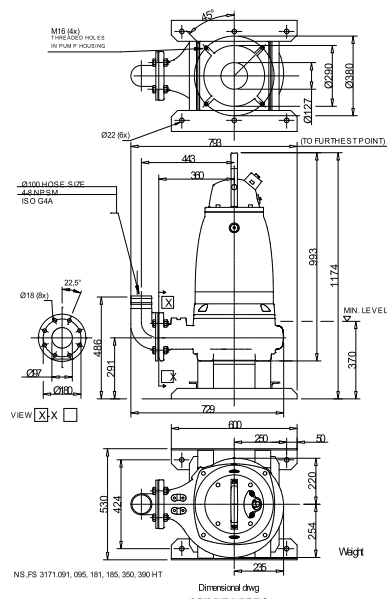
Impeller

| | |
|-----------------------|----------------|
| Impeller material | Grey cast iron |
| Persaansluiting | 100 mm |
| Diameter aanzuigzijde | 100 mm |
| Impeller diameter | 303 mm |
| Aantal bladen | 2 |

Motor

| | |
|--------------------|--------------------------------------|
| Motor # | N3171.181 25-19-4AA-W 22KW standaard |
| Stator variant | 2 |
| Frequentie | 50 Hz |
| Nominale spanning | 230 V |
| Aantal polen | 4 |
| Fasen | 3~ |
| Nominaal vermogen | 22 kW |
| Toegekende stroom | 73 A |
| Aanloopstroom | 470 A |
| Nominaal toerental | 1460 rpm |
| Vermogensfactor | |
| 1/1 Load | 0,86 |
| 3/4 Load | 0,80 |
| 1/2 Load | 0,70 |
| Motor efficiency | |
| 1/1 Load | 88,5 % |
| 3/4 Load | 89,5 % |
| 1/2 Load | 90,0 % |

Soort installatie: Semi permanent, Nat



| | | | | |
|---------|------------|------------|------------|-------------|
| Project | Project ID | Created by | Created on | Last update |
| | | | 10/5/2018 | |

NS 3171 HT 3~ 452

Karakteristiek

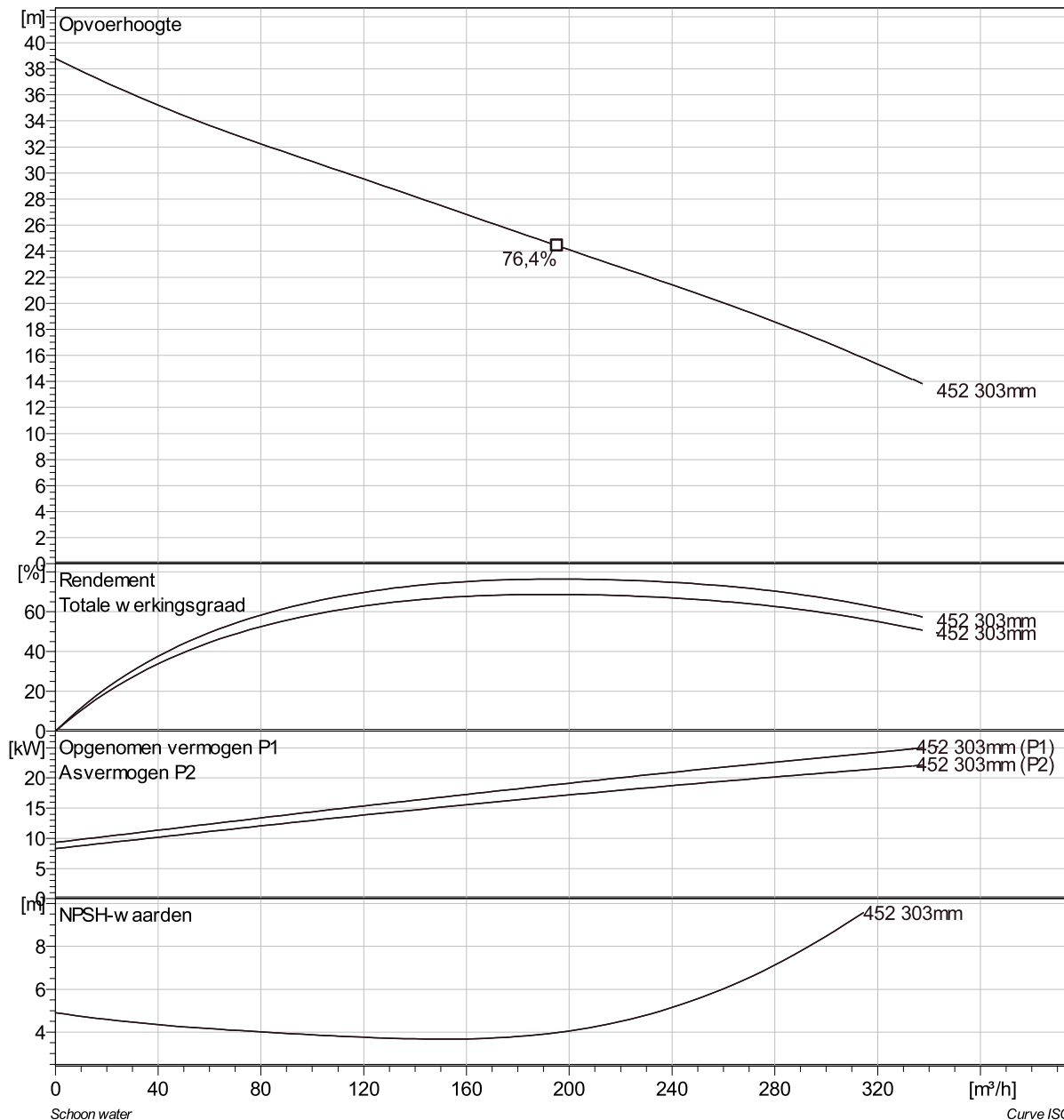
Pomp

| | |
|-----------------------|--------|
| Persaansluiting | 100 mm |
| Diameter aanzuigzijde | 100 mm |
| Impeller diameter | 303 mm |
| Aantal bladen | 2 |

Motor

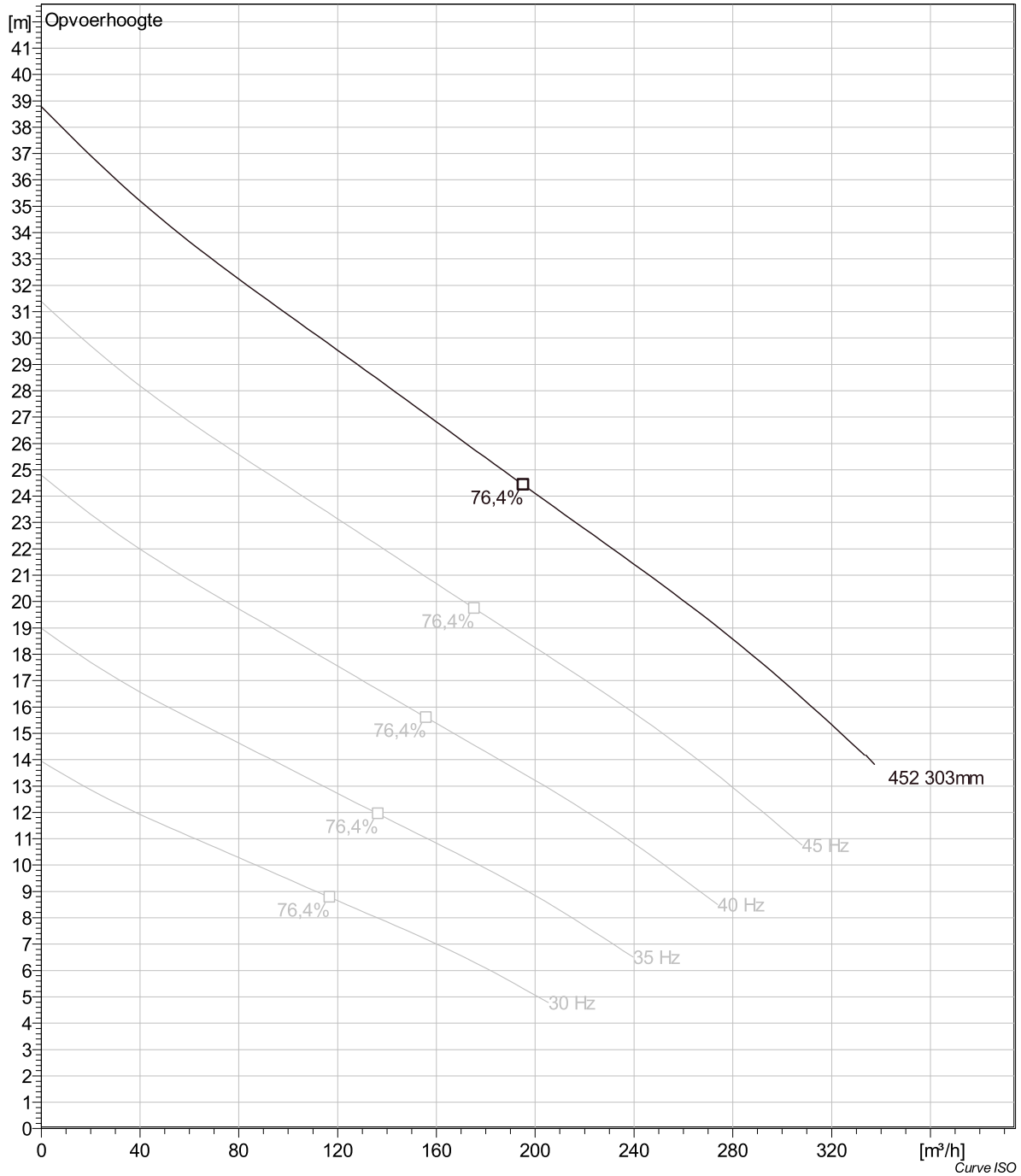
| | |
|--------------------|----------------------------|
| Motor # | N3171.181 25-19-4AA-W 22KW |
| Stator variant | 2 |
| Frequentie | 50 Hz |
| Nominale spanning | 230 V |
| Aantal polen | 4 |
| Fasen | 3~ |
| Nominaal vermogen | 22 kW |
| Toegekende stroom | 73 A |
| Aanloopstroom | 470 A |
| Nominaal toerental | 1460 rpm |

| | |
|------------------|--------|
| Vermogensfactor | |
| 1/1 Load | 0,86 |
| 3/4 Load | 0,80 |
| 1/2 Load | 0,70 |
| Motor efficiency | |
| 1/1 Load | 88,5 % |
| 3/4 Load | 89,5 % |
| 1/2 Load | 90,0 % |



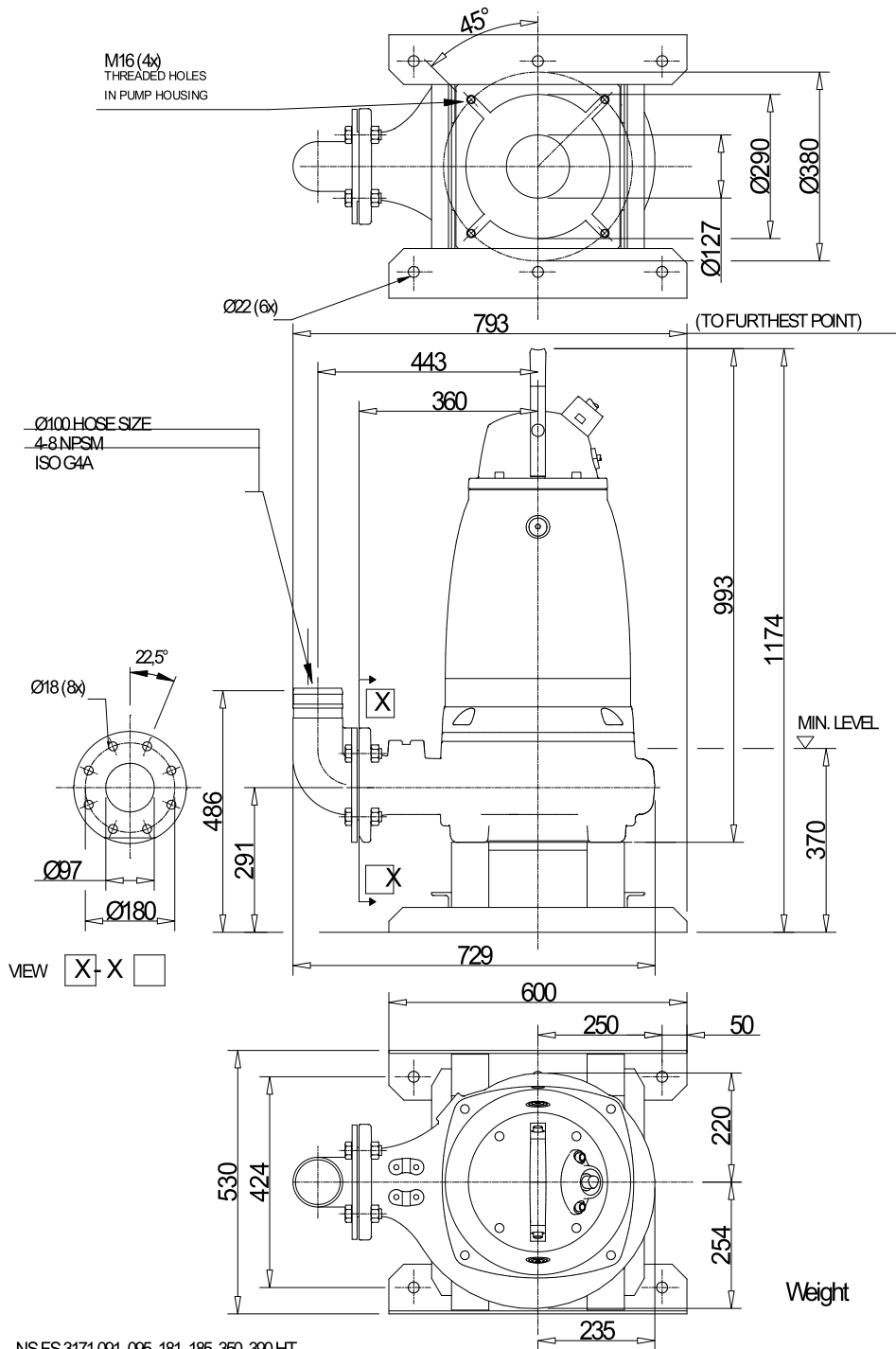
| | | | | |
|---------|------------|------------|-------------------------|-------------|
| Project | Project ID | Created by | Created on 10/5/2018 | Last update |
|---------|------------|------------|-------------------------|-------------|

NS 3171 HT 3~ 452 VFD Analysis



| Project | Project ID | Created by | Created on | Last update |
|---------|------------|------------|------------|-------------|
| | | | 10/5/2018 | |

NS 3171 HT 3~ 452 Dimensional drawing



NS,FS3171.091,095,181,185,350,390 HT

Dimensional dwg

NS, FS3171.091,095,181,185,350,390 HT

| | | | | |
|---------|------------|------------|-------------------------|-------------|
| Project | Project ID | Created by | Created on 10/5/2018 | Last update |
|---------|------------|------------|-------------------------|-------------|