



## NS 3171 MT 3~ 433

### Karakteristiek

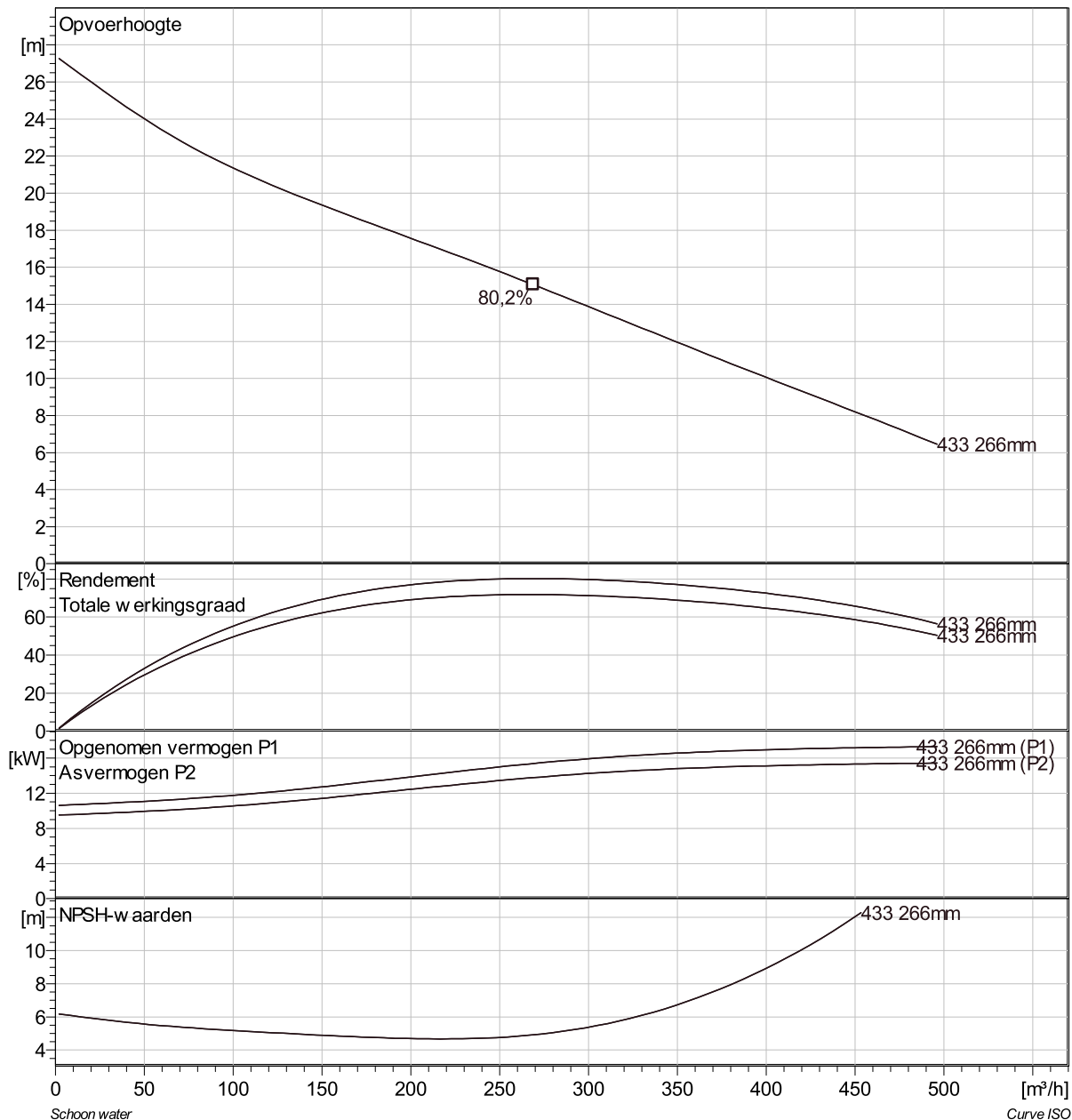
#### Pomp

Persaansluiting	150 mm
Diameter aanzuigzijde	150 mm
Impeller diameter	266 mm
Aantal bladen	2

#### Motor

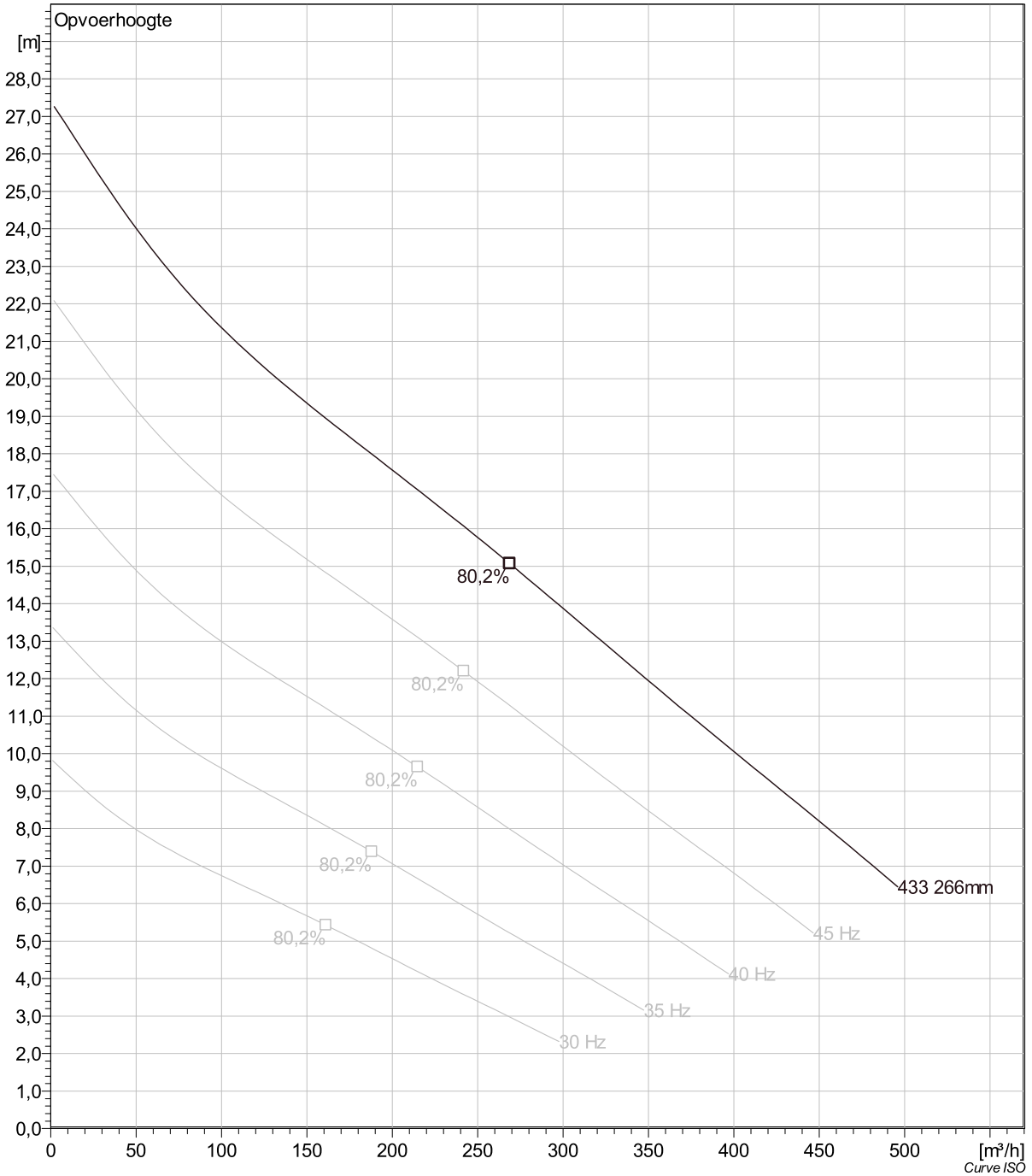
Motor #	N3171.181 25-17-4AA-W 18.5KW
Stator variant	2
Frequentie	50 Hz
Nominale spanning	230 V
Aantal polen	4
Fasen	3~
Nominaal vermogen	18,5 kW
Toegekende stroom	62 A
Aanloopstroom	390 A
Nominaal toerental	1460 rpm

Vermogensfactor	
1/1 Load	0,84
3/4 Load	0,79
1/2 Load	0,67
Motor efficiency	
1/1 Load	88,0 %
3/4 Load	89,5 %
1/2 Load	89,5 %



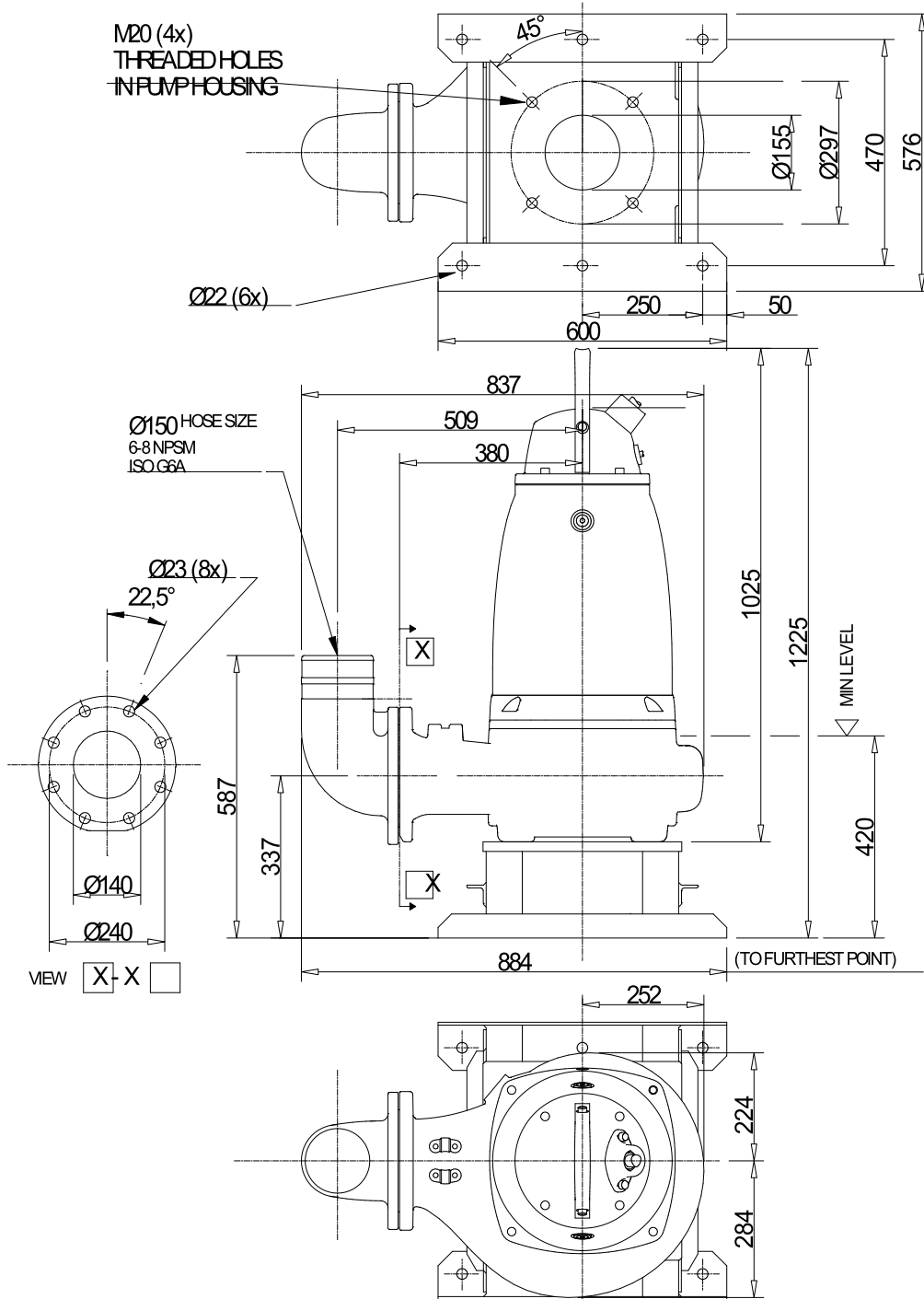
Project	Project ID	Created by	Created on 10/5/2018	Last update
---------	------------	------------	-------------------------	-------------

## NS 3171 MT 3~ 433 VFD Analysis



Project	Project ID	Created by	Created on	Last update
			10/5/2018	

## NS 3171 MT 3~ 433 Dimensional drawing



NS,FS 3171.091,095,181,185,350,390,660,670  
MT

Dimensional drwg  
NS, FS 3171.091,095,181,185,350,390,660,670/MT

Project	Project ID	Created by	Created on	Last update
			10/5/2018	