

NS 3171 SH 3~ 272

Karakteristiek

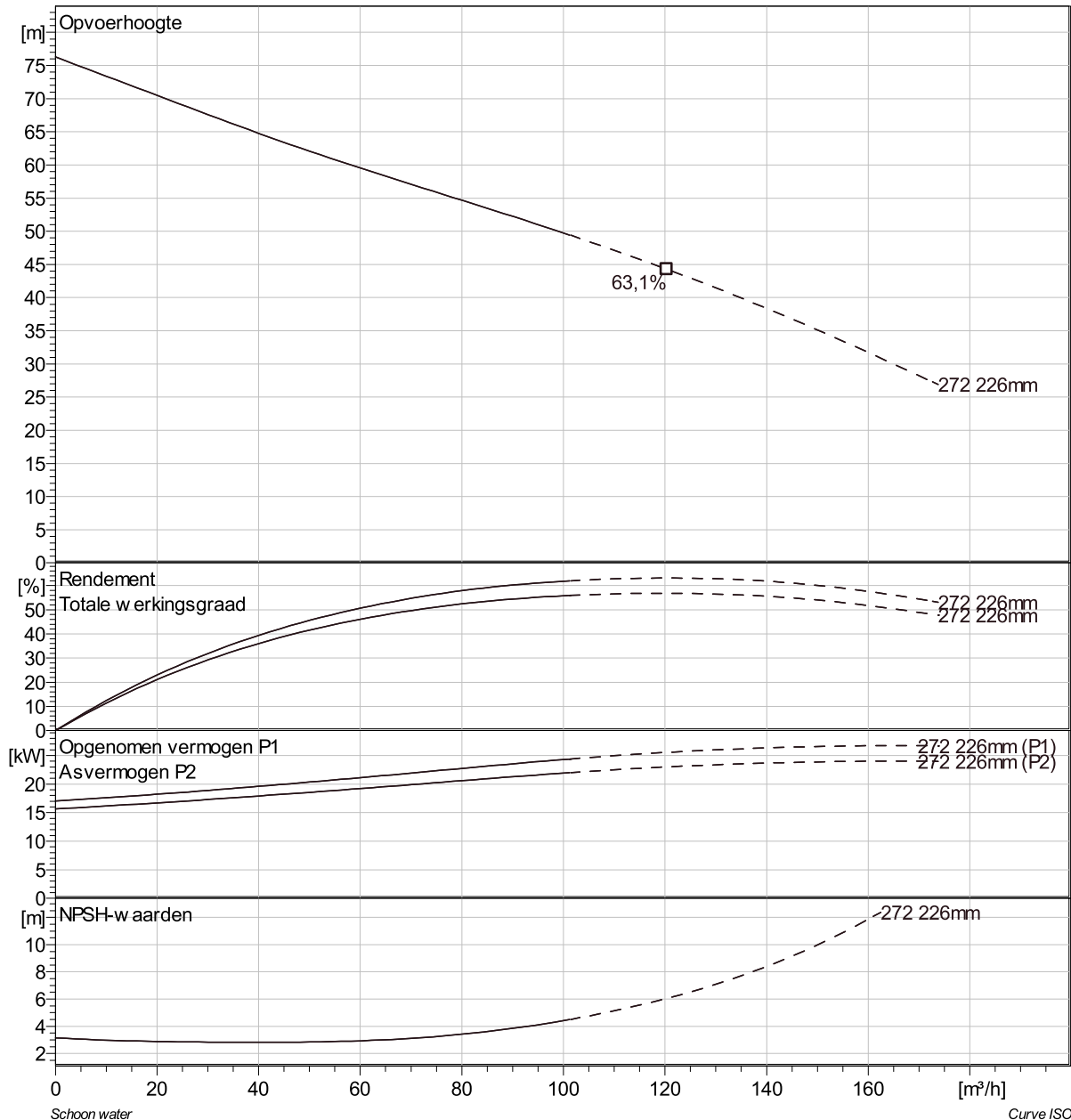
Pomp

Persaansluiting	100 mm
Diameter aanzuigzijde	100 mm
Impeller diameter	226 mm
Aantal bladen	2

Motor

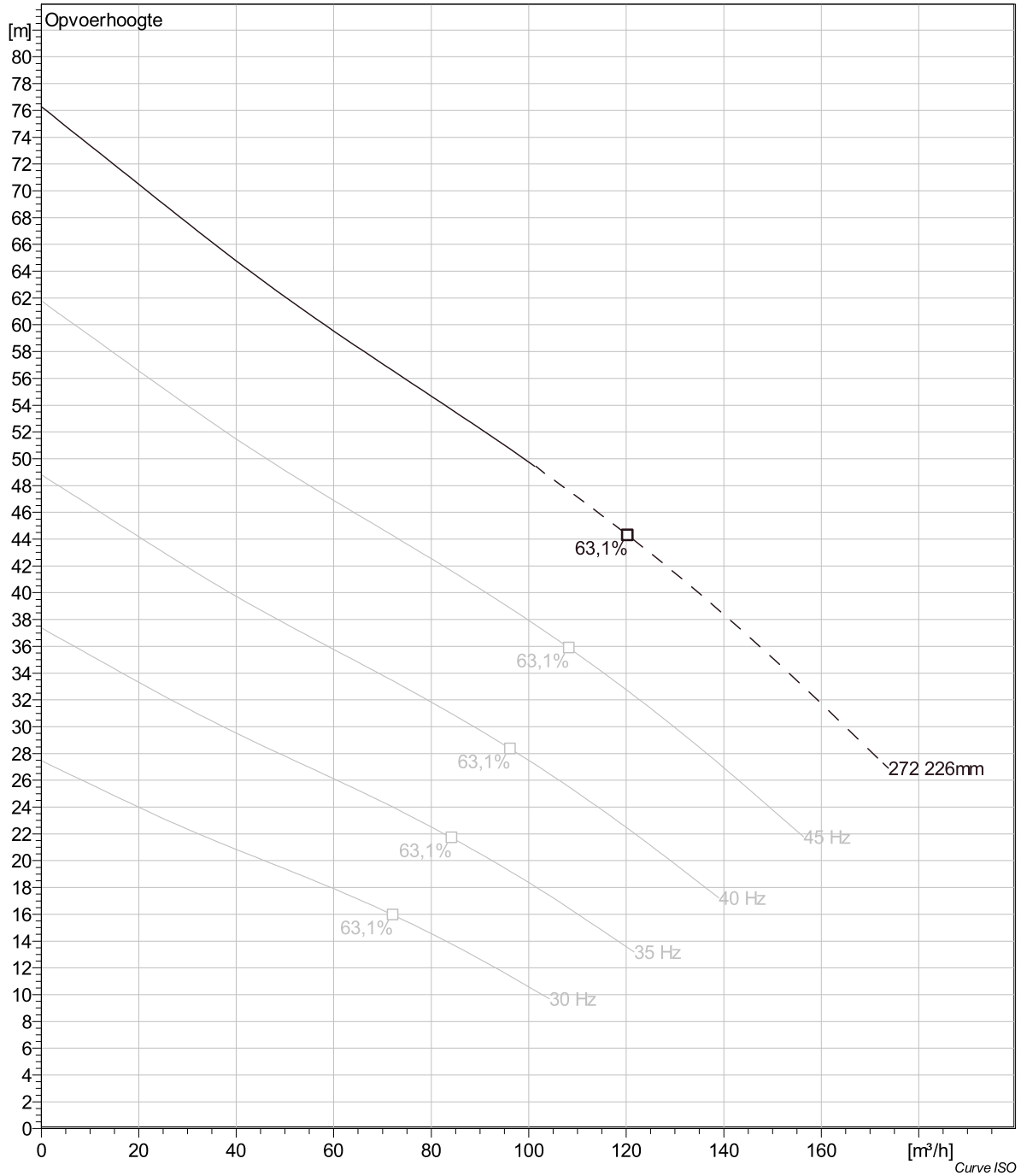
Motor #	N3171.181 25-18-2AA-W 22KW
Stator variant	2
Frequentie	50 Hz
Nominale spanning	230 V
Aantal polen	2
Fasen	3~
Nominaal vermogen	22 kW
Toegekende stroom	67 A
Aanloopstroom	480 A
Nominaal toerental	2930 rpm

Vermogensfactor	
1/1 Load	0,91
3/4 Load	0,89
1/2 Load	0,82
Motor efficiency	
1/1 Load	90,0 %
3/4 Load	91,5 %
1/2 Load	92,0 %



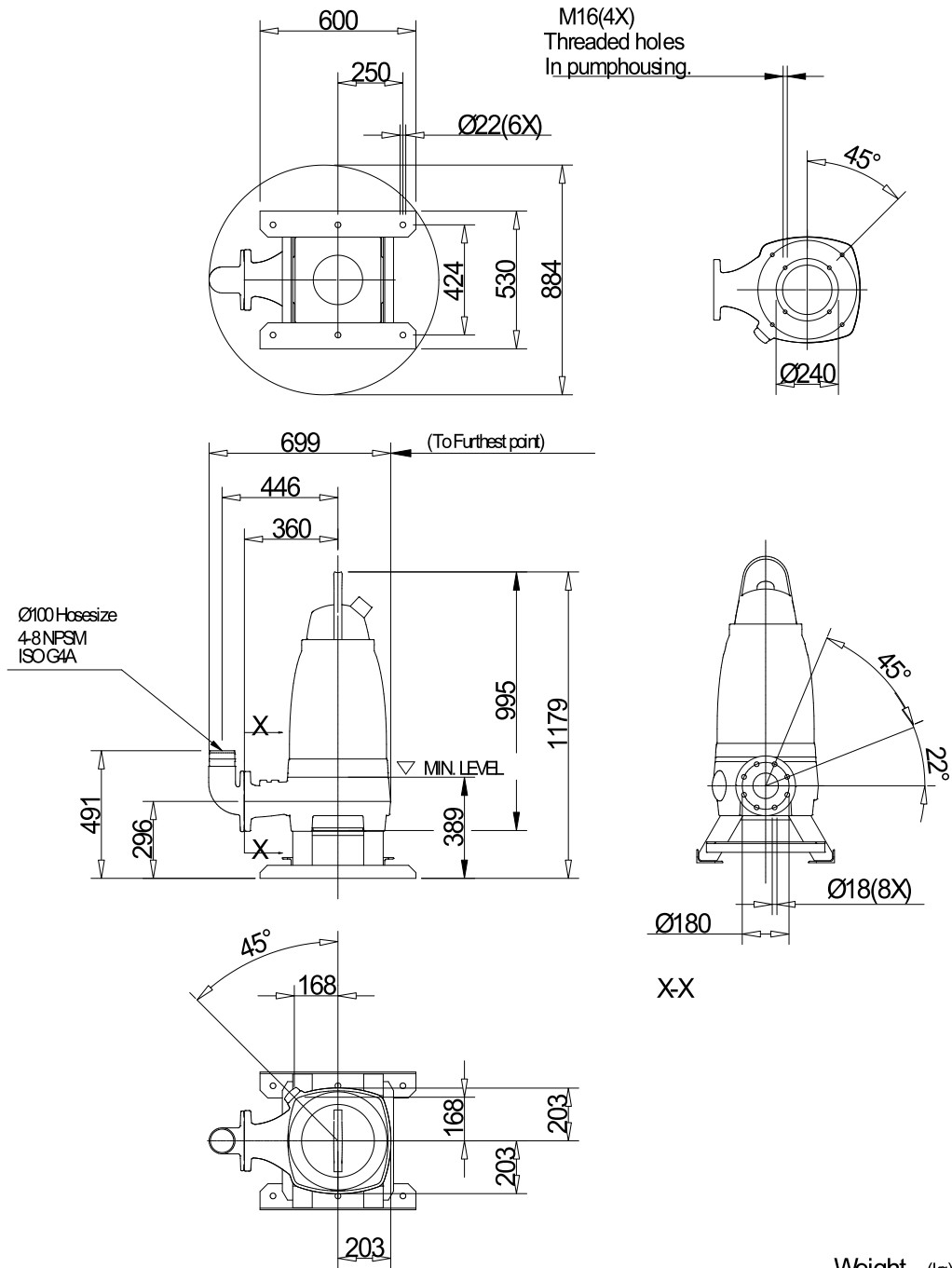
Project	Project ID	Created by	Created on 10/5/2018	Last update
---------	------------	------------	-------------------------	-------------

NS 3171 SH 3~ 272 VFD Analysis



Project	Project ID	Created by	Created on	Last update
			10/5/2018	

NS 3171 SH 3~ 272 Dimensional drawing



FS,NS3171.091,095,181,185,350,390 SH

Weight (kg)
Pump&stand

Dimensional drwg

NSFS3171.091,095,181,185,350,390 SH

Project	Project ID	Created by	Created on	Last update
			10/5/2018	