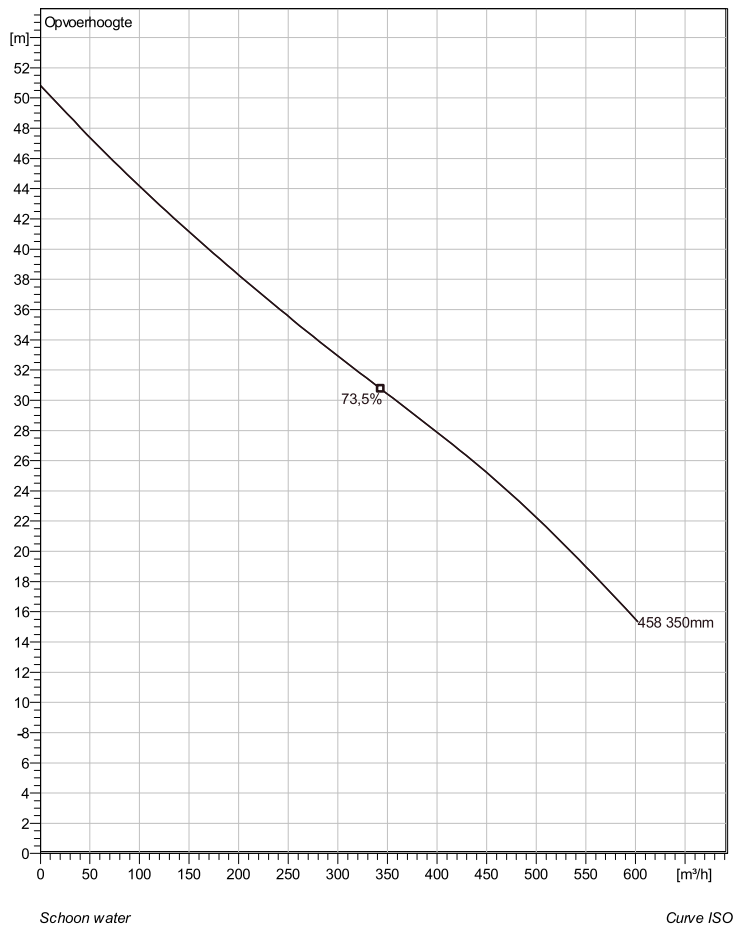


NS 3301 HT 3~ 458 Technische specificaties



Note: Picture might not correspond to the current configuration.

General

Dompelbare pompen voorzien van een verstoppingsongevoeilige N-waaiër. Geschikt voor afvalwater met grotere delen zoals rioolwater, regenwater en industriële afvalwater. Materiaal gietijzer.

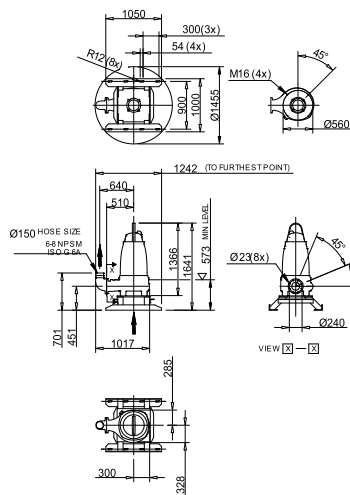
Impeller

| | |
|-----------------------|----------------|
| Impeller materiaal | Grey cast iron |
| Persaansluiting | 150 mm |
| Diameter aanzuigzijde | 150 mm |
| Impeller diameter | 350 mm |
| Aantal bladen | 2 |

Motor

| | |
|--------------------|--------------------------------------|
| Motor # | N3301.180 35-25-4AA-W 55KW standaard |
| Stator variant | 1 |
| Frequentie | 50 Hz |
| Nominale spanning | 380 V |
| Aantal polen | 4 |
| Fasen | 3~ |
| Nominaal vermogen | 55 kW |
| Toegekende stroom | 106 A |
| Aanloopstroom | 465 A |
| Nominaal toerental | 1475 rpm |
| Vermogensfactor | |
| 1/1 Load | 0,86 |
| 3/4 Load | 0,84 |
| 1/2 Load | 0,76 |
| Motor efficiency | |
| 1/1 Load | 91,5 % |
| 3/4 Load | 93,0 % |
| 1/2 Load | 93,5 % |

Soort installatie: Semi permanent, Nat



NS 3301.000.005.180.185
660.670 HT

Dimensional drawing
NS 3301.000.005.180.185.660.670 HT

| | | | | |
|---------|------------|------------|-------------------------|-------------|
| Project | Project ID | Created by | Created on 10/5/2018 | Last update |
|---------|------------|------------|-------------------------|-------------|

NS 3301 HT 3~ 458

Karakteristiek

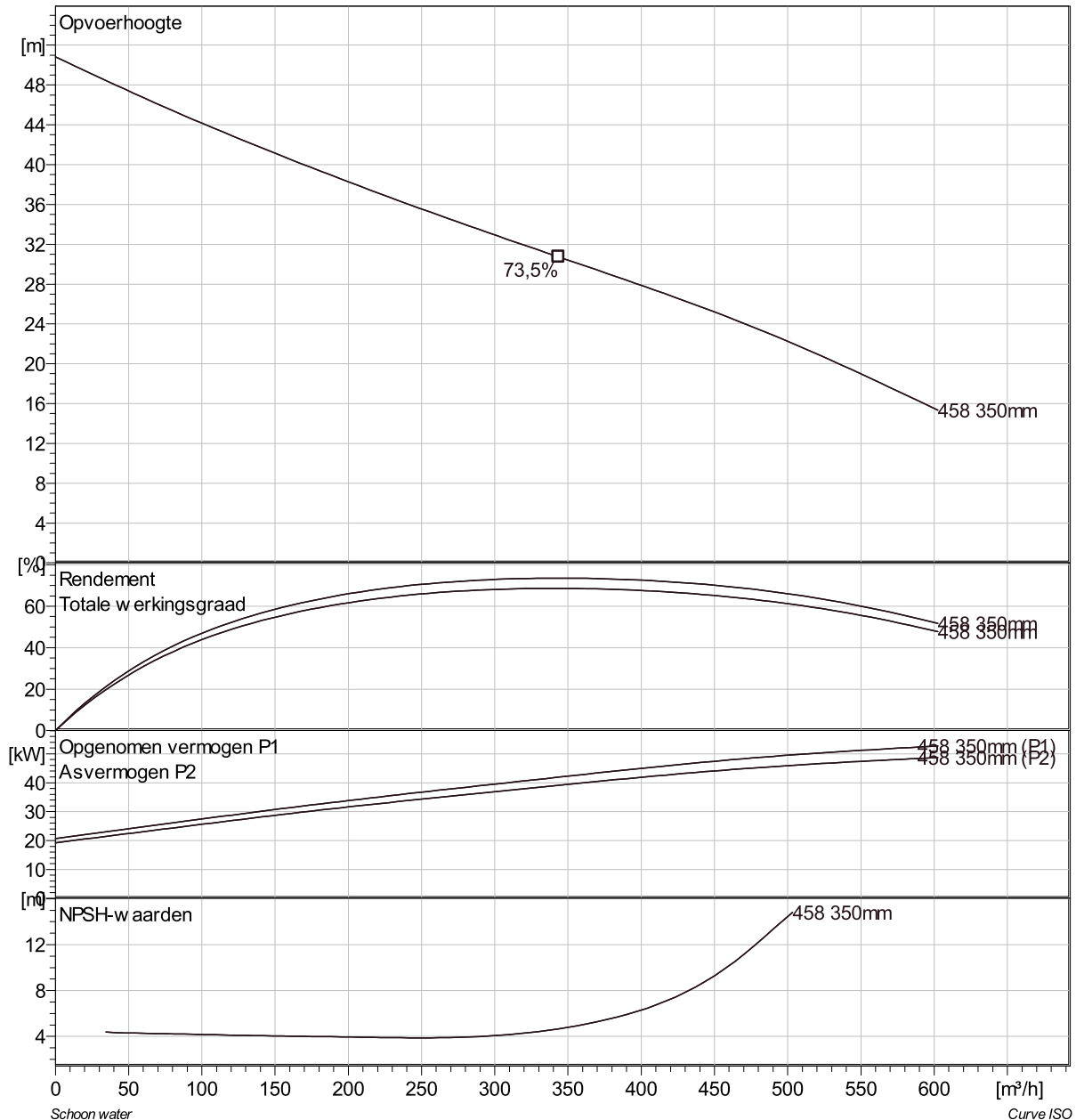
Pomp

| | |
|-----------------------|--------|
| Persaansluiting | 150 mm |
| Diameter aanzuigzijde | 150 mm |
| Impeller diameter | 350 mm |
| Aantal bladen | 2 |

Motor

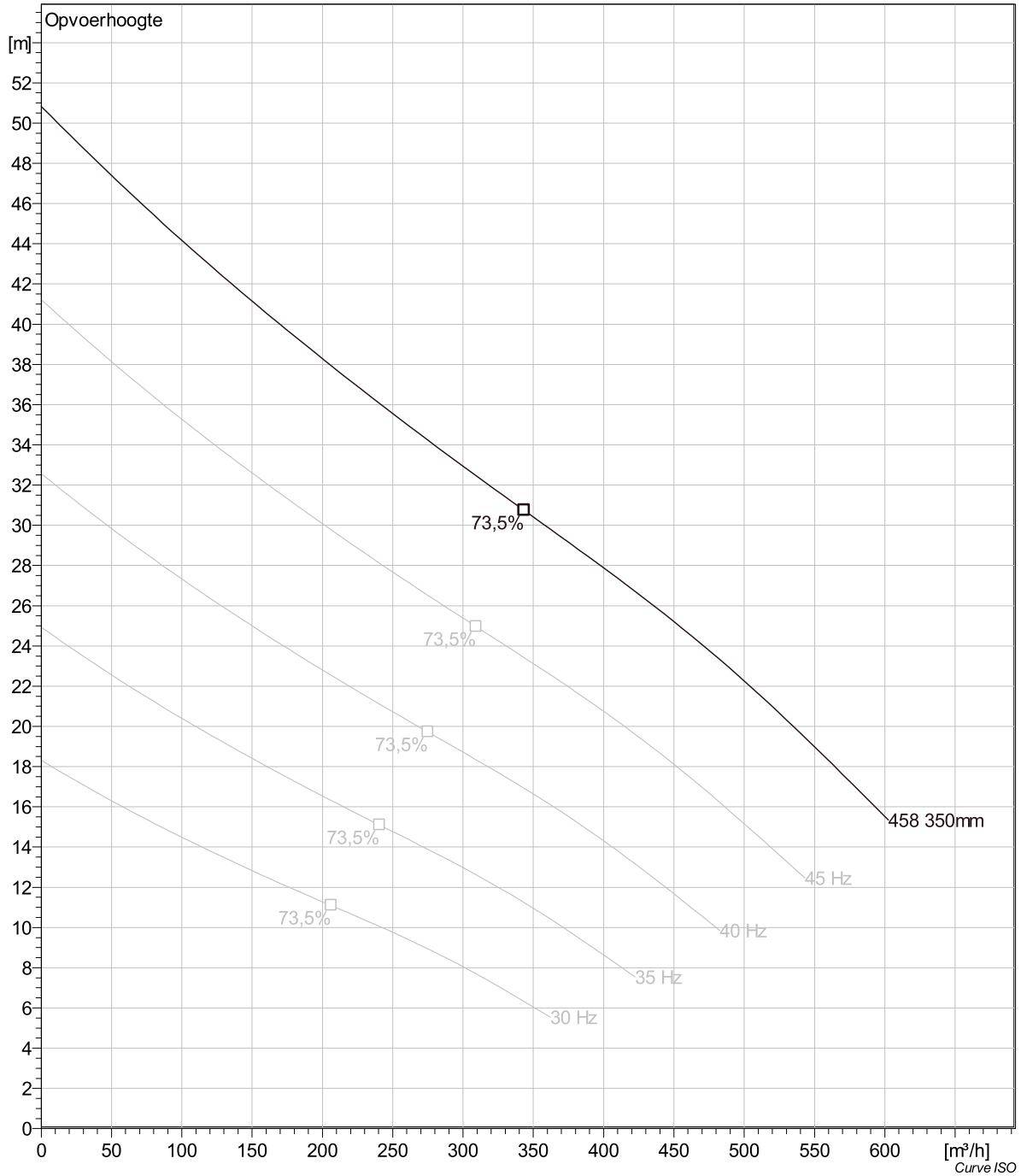
| | |
|--------------------|----------------------------|
| Motor # | N3301.180 35-25-4AA-W 55KW |
| Stator variant | 1 |
| Frequentie | 50 Hz |
| Nominale spanning | 380 V |
| Aantal polen | 4 |
| Fasen | 3~ |
| Nominaal vermogen | 55 kW |
| Toegekende stroom | 106 A |
| Aanloopstroom | 465 A |
| Nominaal toerental | 1475 rpm |

| | |
|------------------|--------|
| Vermogensfactor | |
| 1/1 Load | 0,86 |
| 3/4 Load | 0,84 |
| 1/2 Load | 0,76 |
| Motor efficiency | |
| 1/1 Load | 91,5 % |
| 3/4 Load | 93,0 % |
| 1/2 Load | 93,5 % |



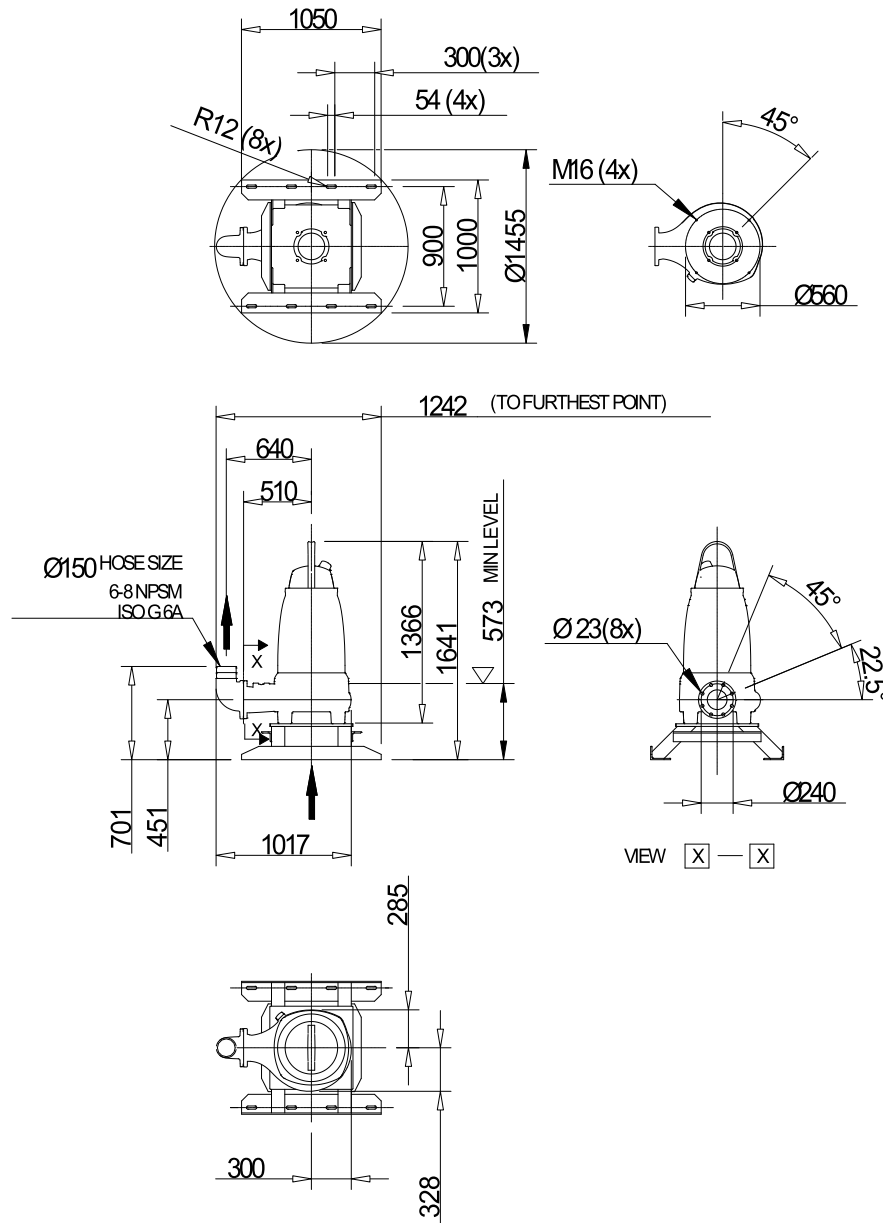
| | | | | |
|---------|------------|------------|-------------------------|-------------|
| Project | Project ID | Created by | Created on 10/5/2018 | Last update |
|---------|------------|------------|-------------------------|-------------|

NS 3301 HT 3~ 458 VFD Analysis



| Project | Project ID | Created by | Created on | Last update |
|---------|------------|------------|------------|-------------|
| | | | 10/5/2018 | |

NS 3301 HT 3~ 458 Dimensional drawing



NS 3301.090, 095, 180, 185, 660, 670 HT

Dimensional dwg
NS3301.090,095,180,185,660,670 HT

| Project | Project ID | Created by | Created on | Last update |
|---------|------------|------------|------------|-------------|
| | | | 10/5/2018 | |