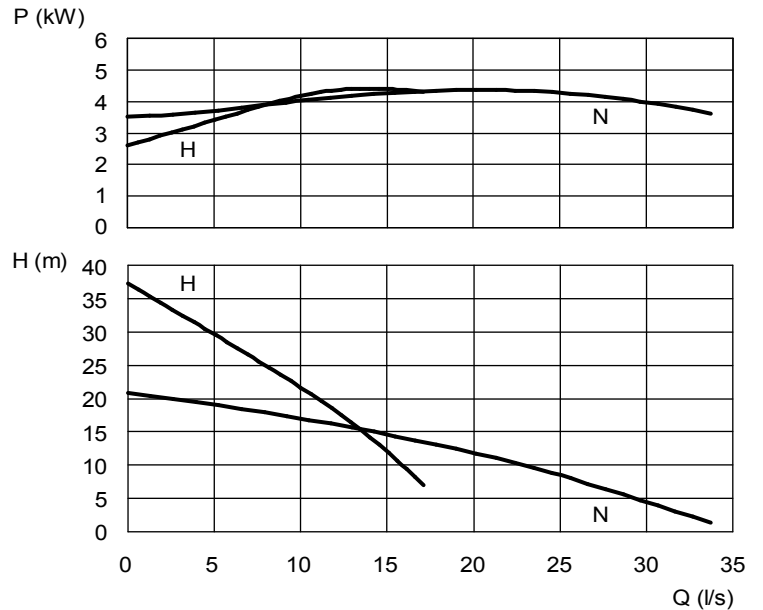
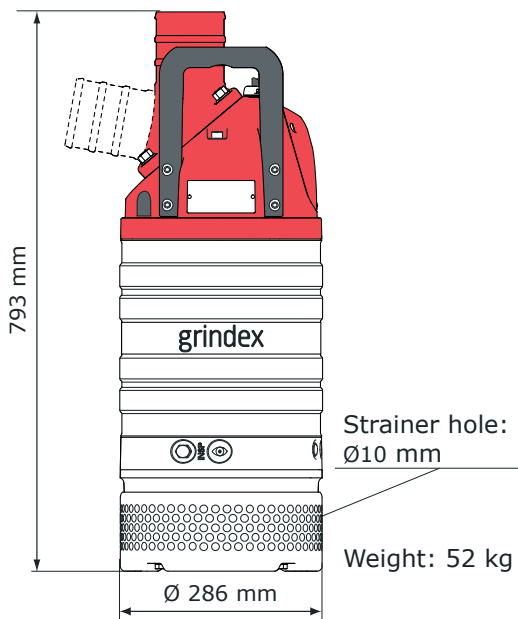


MINOR

Electrical submersible drainage pump



Pump types

N: Normal pressure
H: High pressure

Classification

Electrical submersible pump
Protection class: IP68

Electrical motor

Squirrel cage induction motor
Insulation class H (IEC 85)

Technical data

Shaft speed	rpm	2870
Rated output	kW	3.7
Max. power cons.	kW	4.5
Rated current A at	230 V	13
	400 V	7.3
	500 V	6.0

Other voltages on request

Motor protector

Phase sequence control, phase failure guard, temperature guard with thermal contacts opening temp 140°C, airvalve (= SMART-system)

Power cable SUBCAB:

4G2,5mm², lenght 20m

Shaft seals

Cartridge seal with double mechanical face seals with oil compartment between the seals
Material lower seal: Tungsten carbide-Tungsten carbide
Material upper seal: Tungsten carbide-Tungsten carbide

Bearings

Ball bearing with C3 clearance

Discharge connection

N: 4", Hose, ISO-G or NPT
H: 3", Hose, ISO-G or NPT

Materials

Casted parts	Aluminium
Outer casing	Stainless steel
Stator housing	Aluminium
Motor shaft	Stainless steel
Impeller	High chrome alloyed white cast iron
Suction cover	High chrome cast iron
Diffusers	Nitrile rubber
Screws and nuts	Stainless steel
O-rings	Nitrile rubber

Accessories

Zink anodes

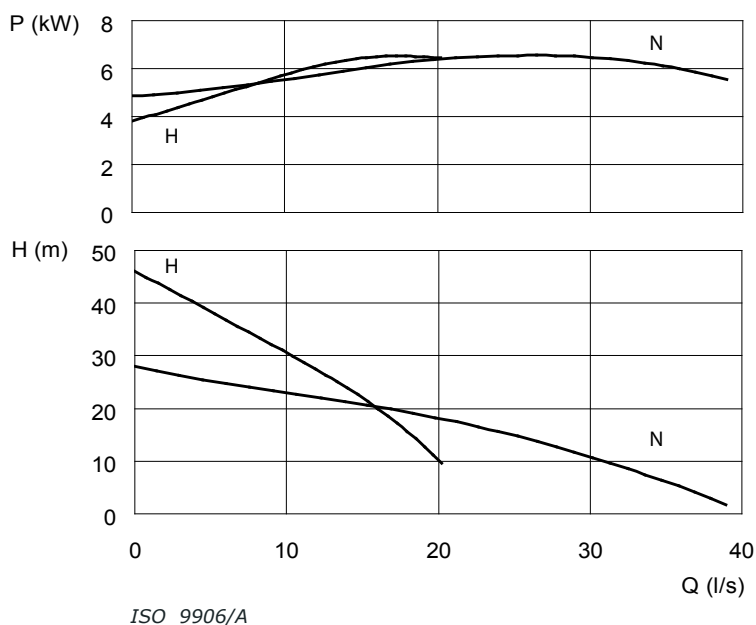
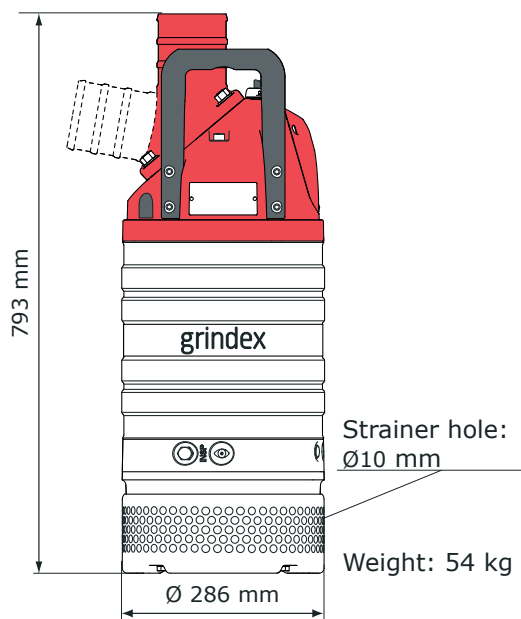
Limitations

Max. submersion depth: 20 m
Max. liquid temperature: 40°C
Max. liquid density: 1100 kg/m³
pH of the liquid: 5-8

Specifications can be changed without notice.

MAJOR

Electrical submersible drainage pump



Pump types

N: Normal pressure
H: High pressure

Classification

Electrical submersible pump
Protection class: IP68

Electrical motor

Squirrel cage induction motor
Insulation class H (IEC 85)

Technical data

Shaft speed	rpm	2890
Rated output	kW	5.6
Max. power cons.	kW	6.7
Rated current A at	230 V	19
	400 V	11
	500 V	8.7

Other voltages on request

Motor protector

Phase sequence control, phase failure guard, temperature guard with thermal contacts opening temp 140°C (= SMART-system), airvalve

Power cable

SUBCAB:
4G2,5mm², lenght 20m

Shaft seals

Cartridge seal with double mechanical face seals with oil compartment between the seals
Material lower seal: Tungsten carbide-Tungsten carbide
Material upper seal: Tungsten carbide-Tungsten carbide

Bearings

Ball bearing with C3 clearance

Discharge connection

N: 4", Hose, ISO-G or NPT
H: 3", Hose, ISO-G or NPT

Materials

Casted parts	Aluminium
Outer casing	Stainless steel
Stator housing	Aluminium
Motor shaft	Stainless steel
Impeller	High chrome alloyed white cast iron
Suction cover	High chrome cast iron
Diffusers	Nitrile rubber
Screws and nuts	Stainless steel
O-rings	Nitrile rubber

Accessories

Zink anodes

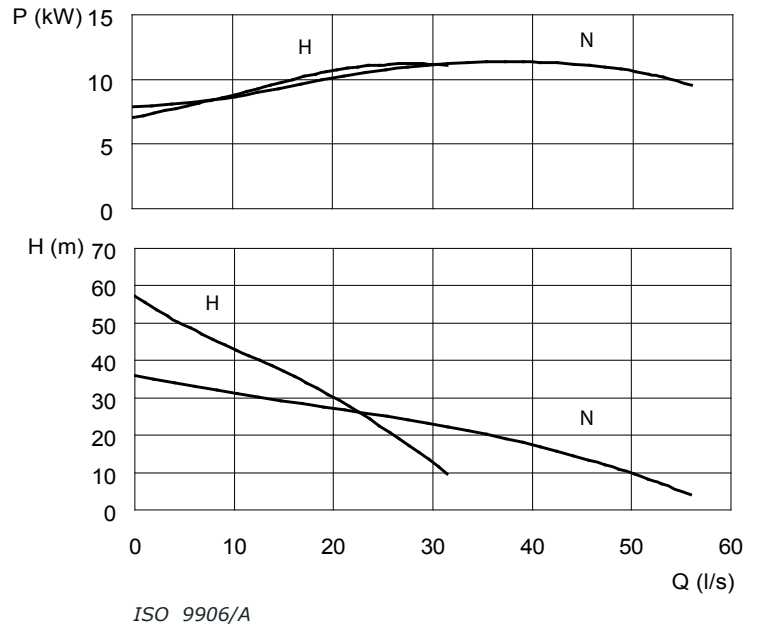
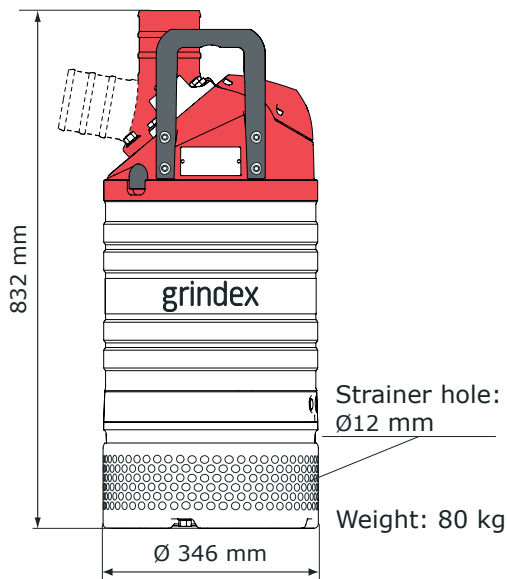
Limitations

Max. submersion depth: 20 m
Max. liquid temperature: 40°C
Max. liquid density: 1100 kg/m³
pH of the liquid: 5-8

Specifications can be changed without notice.

MASTER

Electrical submersible drainage pump



Pump types

N: Normal pressure
H: High pressure

Classification

Electrical submersible pump
Protection class: IP68

Electrical motor

Squirrel cage induction motor
Insulation class H (IEC 85)

Technical data

Shaft speed	rpm	2860
Rated output	kW	10
Max. power cons.	kW	11.7
Rated current A at	230 V	33
	400 V	19
	500 V	15

Other voltages on request

Motor protector

Phase sequence control, phase failure guard, temperature guard with thermal contacts opening temp 140°C, (= SMART-system), airvalve DOL or star/delta

Power cable - SUBCAB

4G 4mm², lenght 20m

Shaft seals

Cartridge seal with double mechanical face seals with oil compartment between the seals
Material lower seal: Tungsten carbide-Tungsten carbide
Material upper seal: Tungsten carbide-Tungsten carbide

Bearings

Ball bearing with C3 clearance

Discharge connection

N: 6", Hose, ISO-G or NPT
H: 4", Hose, ISO-G or NPT

Materials

Casted parts	Aluminium
Outer casing	Stainless steel
Stator housing	Aluminium
Motor shaft	Stainless steel
Impeller	High chrome alloyed white cast iron
Suction cover	High chrome cast iron
Diffusers	Nitrile rubber
Screws and nuts	Stainless steel
O-rings	Nitrile rubber

Accessories

Zink anodes

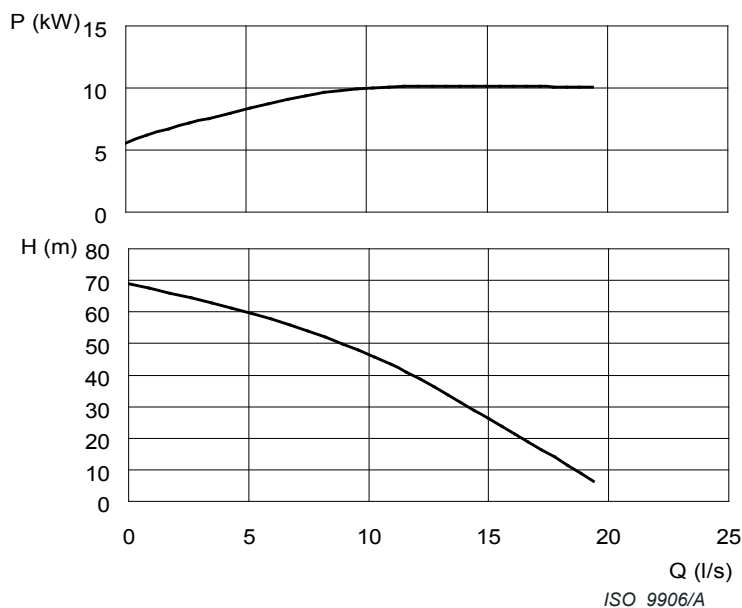
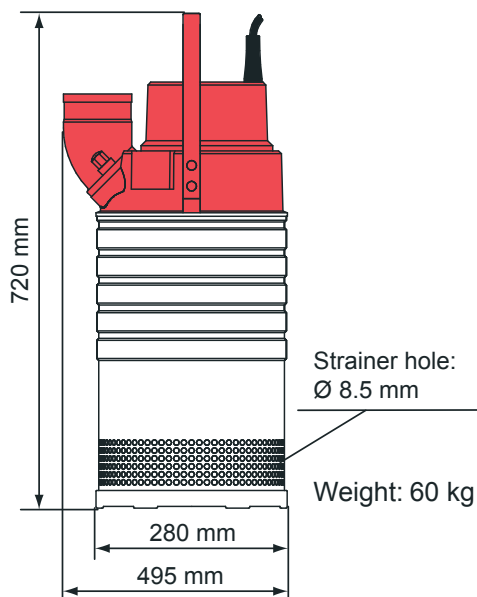
Limitations

Max. submersion depth: 20 m
Max. liquid temperature: 40°C
Max. liquid density: 1100 kg/m³
pH of the liquid: 5-8

Specifications can be changed without notice.

MASTER SH

Electrical submersible drainage pump



Classification

Electrical submersible pump
 Protection class: IP68
 Max. submersion depth: 20 m

Electrical motor

Squirrel cage induction motor
 Insulation class: F (IEC 85)

Technical data

Shaft speed	rpm	2835
Rated output	kW	8.8
Max. power cons.	kW	10.2
Rated current A at	230 V	27
	400 V	16
	500 V	13

Other voltages on request

Motor protector

Phase sequence control, phase failure guard, temperature guard with thermal contacts in the stator (= SMART-system), airvalve, DOL or star/delta

Power cable

SUBCAB, length 20 m
 4G6 mm², U = 230 V
 4G2.5 mm², U > 230 V

Shaft seals

Double mechanical shaft seals with an oil compartment between the seals
 Material lower seal: Silicon carbide - silicon carbide
 Material upper seal: Carbon - silicon carbide

Bearings

Lower: Double angular contact ball bearing with C3 clearance
 Upper: Ball bearing with C3 clearance

Discharge connections

3", Hose, ISO-G or NPT

Materials

Casted parts	Aluminium
Outer casing	Stainless steel
Motor shaft	Stainless steel
Impeller	Cr-alloyed white cast iron
Screws and nuts	Stainless steel
Diffusers	Polyurethane or nitrile rubber

Accessories

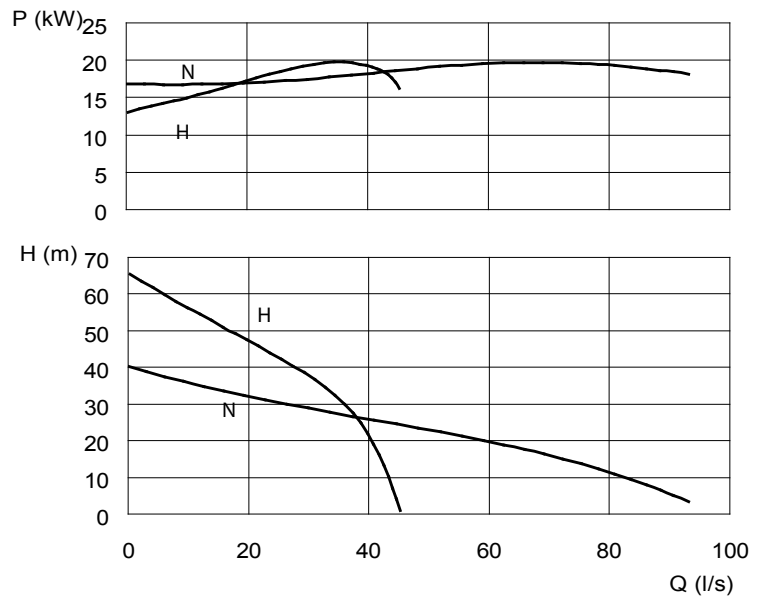
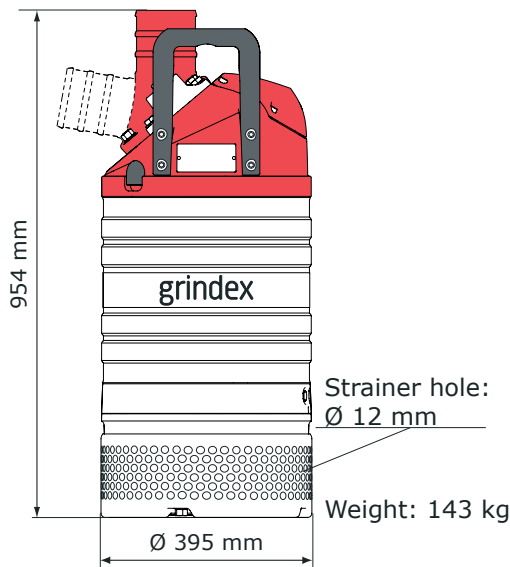
Tandem connection
 Low suction collar
 Zinc anodes
 Float switch

Limitations

Max. submersion depth: 20 m
 Max. liquid temperature: 40°C
 Max. liquid density: 1100 kg/m³
 pH of the liquid: 5-8

MATADOR

Electrical submersible drainage pump



Pump types

N: Normal pressure
H: High pressure

Classification

Electrical submersible pump
Protection class: IP68

Electrical motor

Squirrel cage induction motor
Insulation class H (IEC 85)

Technical data

Shaft speed	rpm	2900
Rated output	kW	18
Max. power cons.	kW	20
Rated current A at	230 V	56
	400 V	32
	500 V	26

Other voltages on request

Motor protector

Phase sequence control, phase failure guard, temperature guard with thermal contacts opening temp 140°C, (= SMART-system), airvalve DOL or star/delta

Power cable - SUBCAB

4G6mm², lenght 20m - U ≥ 380 V
4G10mm², lenght 20m - U < 380 V

Shaft seals

Cartridge seal with double mechanical face seals with oil compartment between the seals
Material lower seal: Tungsten carbide-Tungsten carbide
Material upper seal: Tungsten carbide-Tungsten carbide

Bearings

Ball bearing with C3 clearance

Discharge connection

N: 6", Hose, ISO-G or NPT
H: 4", Hose, ISO-G or NPT

Materials

Casted parts	Aluminium
Outer casing	Stainless steel
Stator housing	Cast iron
Motor shaft	Stainless steel
Impeller	High chrome alloyed white cast iron
Suction cover	High chrome cast iron
Diffusers	Nitrile rubber
Screws and nuts	Stainless steel
O-rings	Nitrile rubber

Accessories

Zink anodes

Limitations

Max. submersion depth: 20 m
Max. liquid temperature: 40°C
Max. liquid density: 1100 kg/m³
pH of the liquid: 5-8

Specifications can be changed without notice.

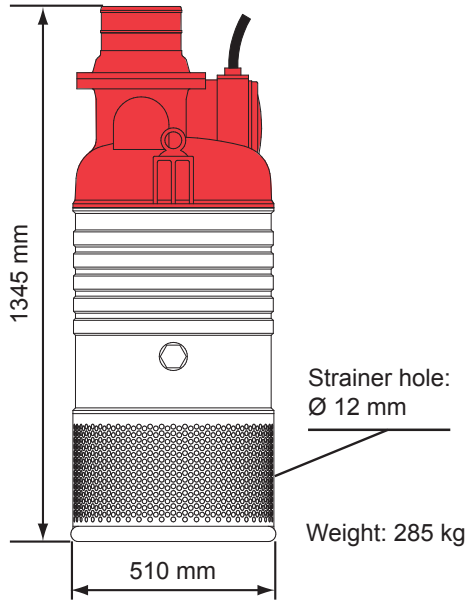
MAXI

Electrical submersible drainage pump

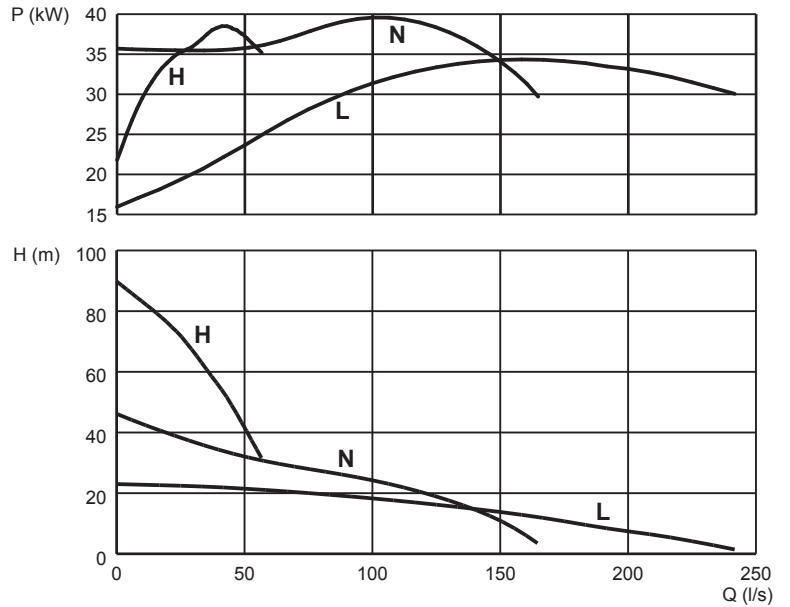
50 Hz

www.grindex.com

PROLINE



The curves have been designed according to ISO 2548C



Pump types

N: Normal head
H: High head
L: High flow

Classification

Electrical submersible pump
Protection class: IP68
Max. submersion depth: 20 m

Electrical motor

Squirrel cage induction motor
Insulation class: F (IEC 85)

Technical data		N & H	L
Shaft speed	r.p.m.	2900	1450
Rated output	kW	33	34
Max. power cons.	kW	40	35
Rated current A at	230 V	108	111
	400 V	62	64
	500 V	50	51

Other voltages on request

Motor protector

Temperature guard with thermal contacts in the stator and air valve.

This pump must be connected to an external starter box

Power cable

H07RN-F, length 20 m
4x35 mm², U = 230 V, DOL
4x25 mm², U = 230 V, star/delta
4x16 mm², U = 400 - 500 V, DOL
4x10 mm², U = 400 - 500 V, star/delta

Pilot cable

H07RN-F, length 21 m
2x1.5 mm²

These items are available on request

Shaft seals

Double mechanical face seals with an oil compartment between the seals
Material lower seal: Corrosion resistant cemented carbide - corrosion resistant cemented carbide
Material upper seal: Carbon - cemented carbide

Bearings

Lower: 2 angular contact ball bearings with C3 clearance
Upper: Ball bearing with C3 clearance

Discharge connections

Hose, BSP or NPT
N: 8"
H: 4"
L: 8"

Materials

Casted parts	Aluminium
Outer casing	Stainless steel
Motor shaft	Stainless steel
Impeller	Cr-alloyed white cast iron
Screws and nuts	Stainless steel
Diffusers	Polyurethane

Limitations

Max. submersion depth: 20 m
Max. liquid temperature: 40°C
Max. liquid density: 1100 kg/m³
pH of the liquid: 5-8

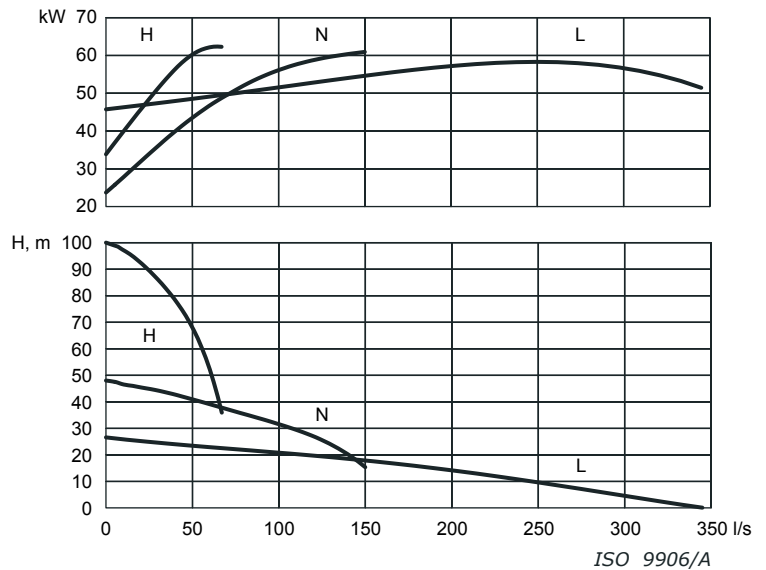
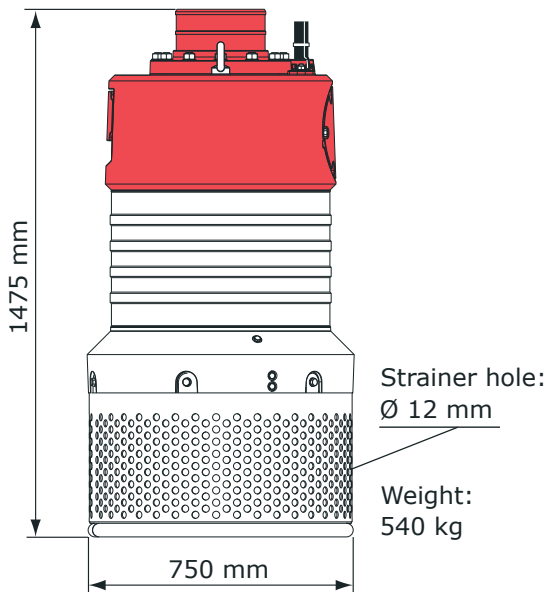
Accessories

Starter box, DOL or star/delta
Tandem connection
Zinc anodes
Non return valve

Specifications can be changed without notice.

MAGNUM

Electrical submersible drainage pump



Pump types

N: Normal head
H: High head
L: High flow

Classification

Electrical submersible pump
Protection class: IP68
Max. submersion depth: 20 m

Electrical motor

Squirrel cage induction motor
Insulation class: F (IEC 85)

Technical data

		N & L	H
Shaft speed	r.p.m	1475	2950
Rated output	kW	57	57
Max. power cons.	kW	62	64
Rated current A at	400 V	107	98
	500 V	85	79

Other voltages on request

Motor protector

Temperature guard with thermal contacts in the stator, leakage sensor, airvalve.

This pump must be connected to an external motor control for DOL or Y/D star/delta start.

Power cable

SUBCAB with control cores, length 20 m
4G 25+2x1,5 mm² U = 400 V, DOL
4G 16+2x1,5 mm², U = 500 V, DOL
4G 16+2x1,5 mm², U = 400 V, star/delta
4G 10+2x1,5 mm², U = 500 V, star/delta
(External pilot cable is optional)

Shaft seals

Double mechanical face seals with an oil compartment between the seals
Material lower seal: Tungstencarbide-Tungstencarbide
Material upper seal: Tungstencarbide-Tungstencarbide

Bearings

Lower: Double angular contact ball bearing with C3 clearance
Upper: Ball bearing with C3 clearance

Discharge connections

Hose, ISO-G, NPT or ANSI flange
N: 8"
H: 6"
L: 10"

Materials

Casted parts	Aluminium
Outer casing	Stainless steel
Motor shaft	Stainless steel
Impeller	Cr-alloyed white cast iron
Screws and nuts	Stainless steel
Diffusers	Polyurethane
O-rings	Nitrile rubber

Limitations

Max. submersion depth: 20 m
Max. liquid temperature: 40°C
Max. liquid density: 1100 kg/m³
pH of the liquid: 5-8

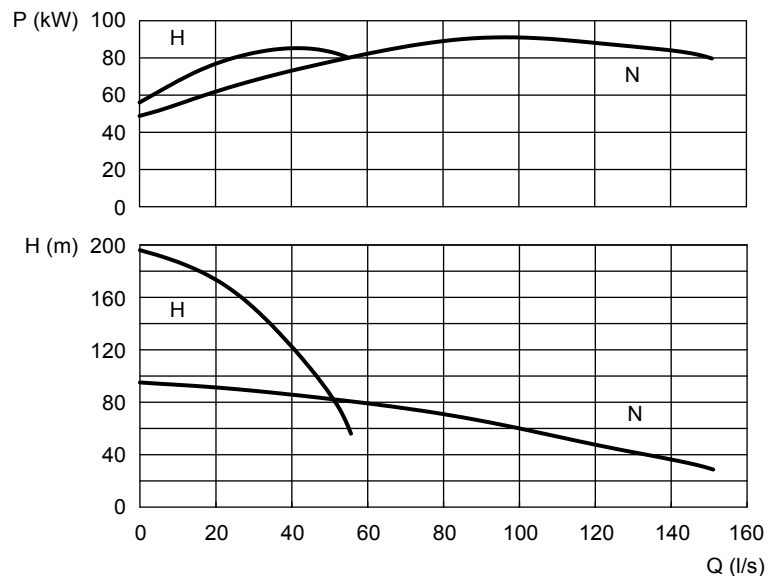
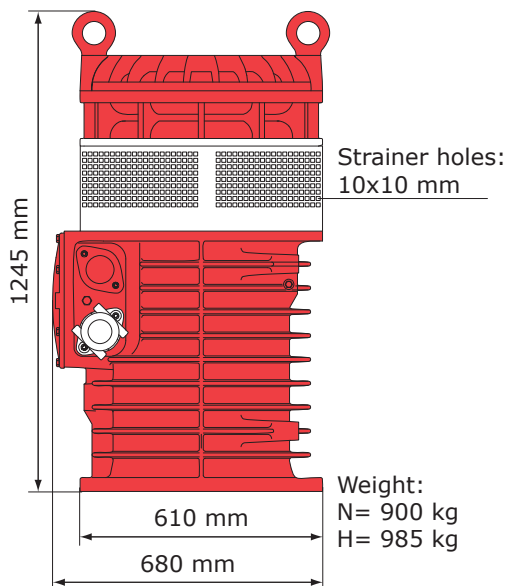
Accessories

Starter box, DOL or star/delta
Tandem connection
Zinc anodes

Specifications can be changed without notice.

MEGA

Electrical submersible drainage pump



Pump types

N: Normal head
H: High head

Classification

Electrical submersible pump
Protection class: IP68
Max. submersion depth: 75 m

Electrical motor

Squirrel cage 3-phase induction motor
Insulation class: H (IEC 85)

Technical data

Shaft speed	rpm	2965
Rated output	kW	90
Max. power cons.	kW	95
Rated current A at	400 V	148
	500 V	117

Other voltages on request

Motor protector

Temperature guard with thermal contacts in the stator

Monitoring equipment

Pt 100 sensor for main bearing temperature reading

Power cable

SUBCAB 4G25+2x1,5
SUBCAB 4G35+2x1,5
SUBCAB 4G35
SUBCAB 4G50
SUBCAB 4G70
SUBCAB 4AWG/3-2-1-GC
SUBCAB 1AWG/3-2-1-GC
SUBCAB S3x50+3x25/3+4x1,5
SUBCAB S3x70+3x35/3+4x1,5

Shaft seals

Double mechanical shaft seals with an oil compartment between the seals.

Material lower seal: Tungsten carbide - Tungsten carbide
Material upper seal: Tungsten carbide - Tungsten carbide

Bearings

Main bearing: Two single-row angular contact ball bearing. Paired mounted

Support bearing: Cylindrical single-row roller bearing with C3 clearance

Discharge connections

N: 6" (DN 150) Flange SMS, DIN, BS or ANSI
H: 4" (DN 100) Flange SMS, DIN, BS or ANSI

Materials

Casted parts	Cast iron
Motor shaft	Stainless steel
Impeller	Cr-alloyed white cast iron or stainless steel
Screws and nuts	Stainless steel
Diffusers	Nitrile rubber

Accessories

Zinc anodes

Limitations

Max. submersion depth: 75 m
Max. liquid temperature: 40°C
Max. liquid density: 1100 kg/m³
pH of the liquid: 6-13