



ITT

POMP▶IRECT

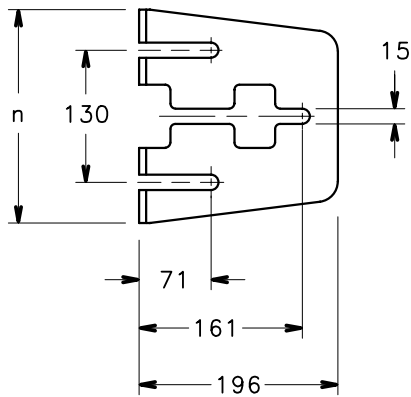
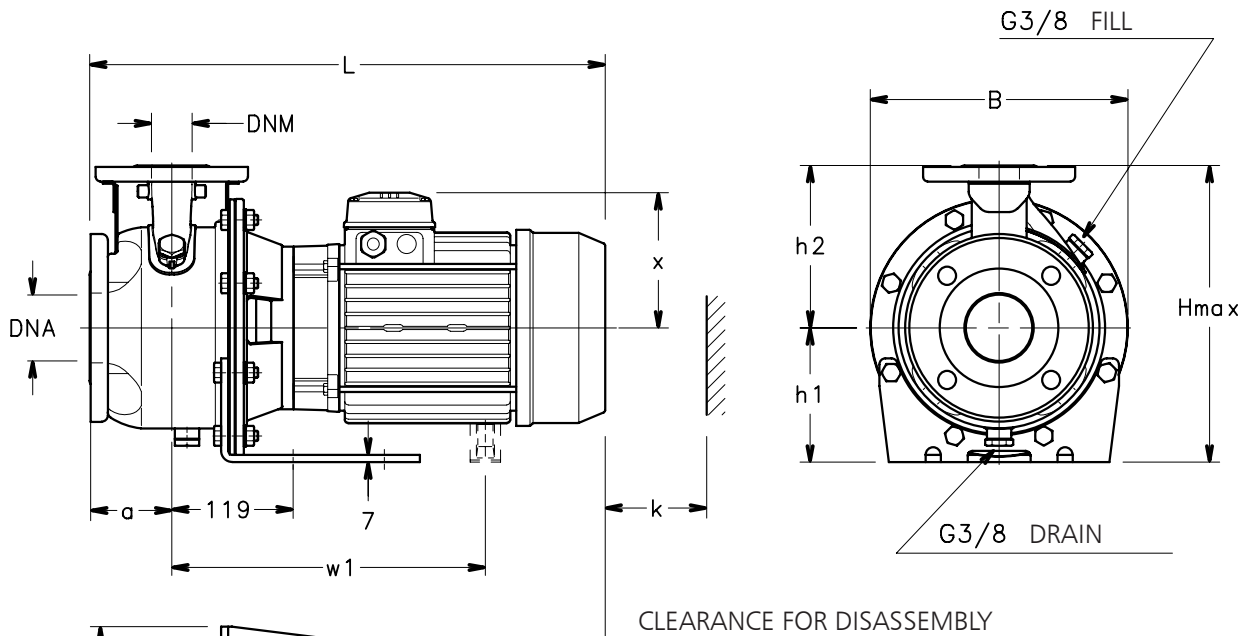
SHO SERIES DIMENSIONS AND WEIGHTS



ITT

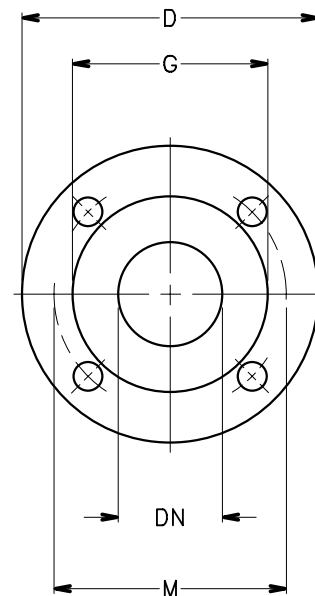
POMPODIRECT

SHOE SERIES DIMENSIONS AND WEIGHTS



PUMP FLANGES

| DN | D | M | G | HOLES | | MAX THICKNESS |
|----|-----|-----|-----|-------|------|---------------|
| | | | | N° | DIA. | |
| 25 | 115 | 85 | 56 | 4 | 18 | 16 |
| 32 | 140 | 100 | 64 | 4 | 18 | 16 |
| 40 | 150 | 110 | 68 | 4 | 18 | 16 |
| 50 | 165 | 125 | 83 | 4 | 18 | 18 |
| 65 | 185 | 145 | 104 | 4 | 18 | 18 |



05503_A_DD



ITT

POMPODIRECT

SHOE SERIES DIMENSIONS AND WEIGHTS

| PUMP TYPE | DIMENSIONS (mm) | | | | | | | | | | | | WEIGHT kg |
|-----------------|-----------------|-----|------|-----|-----|-----|---------|-----|-----|----------|-----|-----|--------------|
| | DNM | DNA | PUMP | | | | SUPPORT | | B | H max | L | k | |
| | | | a | h2 | w1 | x | h1 | n | | | | | |
| SHOE 25-125/11 | 25 | 50 | 80 | 140 | - | 129 | 112 | 190 | 219 | 252 | 453 | 98 | 20 |
| SHOE 25-125/15 | 25 | 50 | 80 | 140 | - | 129 | 112 | 190 | 219 | 252 | 453 | 98 | 21 |
| SHOE 25-125/22 | 25 | 50 | 80 | 140 | - | 129 | 112 | 190 | 219 | 252 | 453 | 98 | 23 |
| SHOE 25-160/30 | 25 | 50 | 80 | 160 | - | 121 | 132 | 210 | 254 | 292 | 471 | 98 | 29 |
| SHOE 25-160/40 | 25 | 50 | 80 | 160 | - | 137 | 132 | 210 | 254 | 292 | 497 | 98 | 35 |
| SHOE 25-160/55 | 25 | 50 | 80 | 160 | - | 151 | 132 | 210 | 254 | 292 | 544 | 98 | 45 |
| SHOE 25-200/30 | 25 | 50 | 80 | 180 | - | 121 | 160 | 230 | 284 | 340 | 471 | 98 | 32 |
| SHOE 25-200/40 | 25 | 50 | 80 | 180 | - | 137 | 160 | 230 | 284 | 340 | 497 | 98 | 37 |
| SHOE 25-200/55 | 25 | 50 | 80 | 180 | - | 151 | 160 | 230 | 284 | 340 | 544 | 98 | 48 |
| SHOE 32-125/11 | 32 | 50 | 80 | 140 | - | 129 | 112 | 190 | 219 | 252 | 453 | 98 | 20 |
| SHOE 32-125/15 | 32 | 50 | 80 | 140 | - | 129 | 112 | 190 | 219 | 252 | 453 | 98 | 21 |
| SHOE 32-125/22 | 32 | 50 | 80 | 140 | - | 129 | 112 | 190 | 219 | 252 | 453 | 98 | 23 |
| SHOE 32-160/30 | 32 | 50 | 80 | 160 | - | 121 | 132 | 210 | 254 | 292 | 471 | 98 | 29 |
| SHOE 32-160/40 | 32 | 50 | 80 | 160 | - | 137 | 132 | 210 | 254 | 292 | 497 | 98 | 35 |
| SHOE 32-160/55 | 32 | 50 | 80 | 160 | - | 151 | 132 | 210 | 254 | 292 | 544 | 98 | 45 |
| SHOE 32-200/30 | 32 | 50 | 80 | 180 | - | 121 | 160 | 230 | 284 | 340 | 471 | 98 | 32 |
| SHOE 32-200/40 | 32 | 50 | 80 | 180 | - | 137 | 160 | 230 | 284 | 340 | 497 | 98 | 37 |
| SHOE 32-200/55 | 32 | 50 | 80 | 180 | - | 151 | 160 | 230 | 284 | 340 | 544 | 98 | 48 |
| SHOE 40-125/15 | 40 | 65 | 80 | 140 | - | 129 | 112 | 190 | 219 | 252 | 463 | 100 | 22 |
| SHOE 40-125/22 | 40 | 65 | 80 | 140 | - | 129 | 112 | 190 | 219 | 252 | 463 | 100 | 24 |
| SHOE 40-125/30 | 40 | 65 | 80 | 140 | - | 121 | 112 | 190 | 219 | 252 | 481 | 100 | 28 |
| SHOE 40-160/40 | 40 | 65 | 80 | 160 | - | 137 | 132 | 210 | 254 | 292 | 507 | 100 | 36 |
| SHOE 40-160/55 | 40 | 65 | 80 | 160 | - | 151 | 132 | 210 | 254 | 292 | 554 | 100 | 46 |
| SHOE 40-160/75 | 40 | 65 | 80 | 160 | - | 151 | 132 | 210 | 254 | 292 | 554 | 100 | 49 |
| SHOE 50-125/55 | 50 | 65 | 100 | 160 | - | 151 | 132 | 210 | 254 | 292 | 574 | 104 | 46 |
| SHOE 50-125/75 | 50 | 65 | 100 | 160 | - | 151 | 132 | 210 | 254 | 292 | 574 | 104 | 50 |
| SHOE 50-160/92 | 50 | 65 | 100 | 180 | 298 | 194 | 160 | 210 | 254 | 354 | 624 | 104 | 45 |
| SHOE 50-160/110 | 50 | 65 | 100 | 180 | 298 | 194 | 160 | 210 | 254 | 354 | 624 | 104 | 48 |

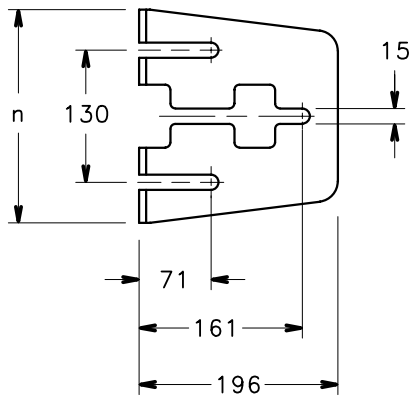
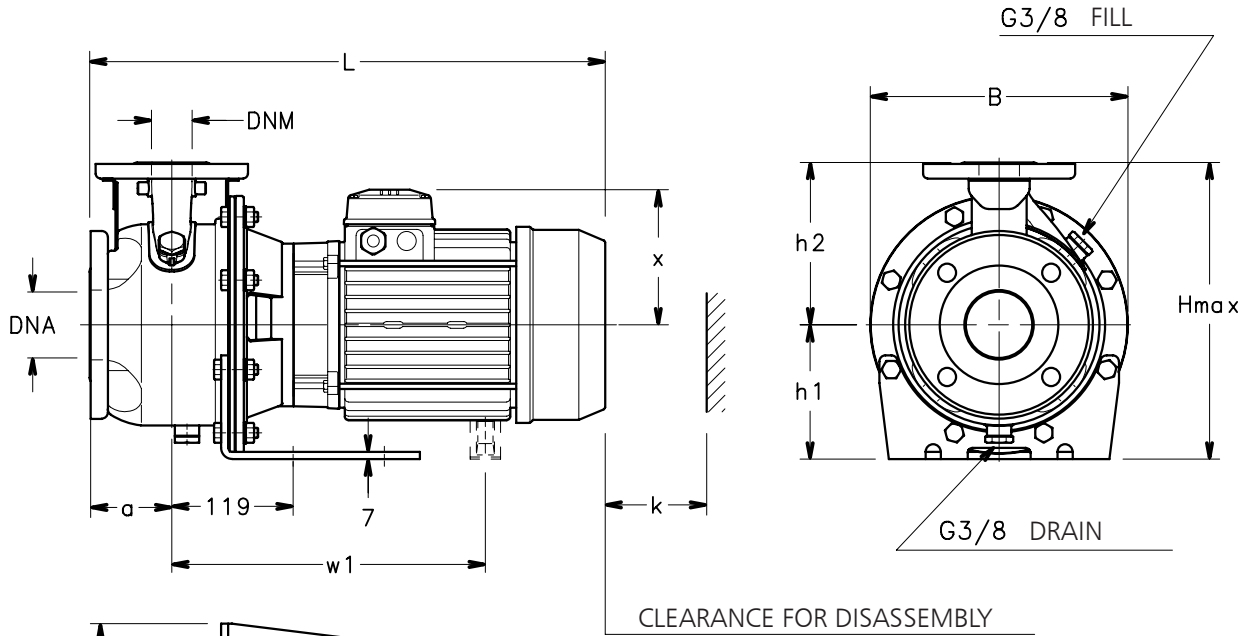
shoe-2p50-en_a_td



ITT

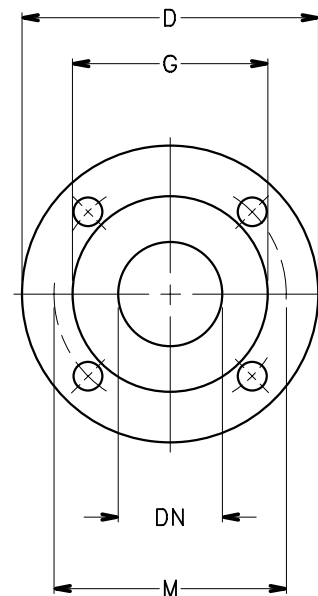
POMPOIRECT

**SHOE4 SERIES
DIMENSIONS AND WEIGHTS**



PUMP FLANGES

| DN | D | M | G | HOLES | | MAX THICKNESS |
|----|-----|-----|-----|-------|------|---------------|
| | | | | N° | DIA. | |
| 25 | 115 | 85 | 56 | 4 | 18 | 16 |
| 32 | 140 | 100 | 64 | 4 | 18 | 16 |
| 40 | 150 | 110 | 68 | 4 | 18 | 16 |
| 50 | 165 | 125 | 83 | 4 | 18 | 18 |
| 65 | 185 | 145 | 104 | 4 | 18 | 18 |



05503_A_DD



ITT

POMPOIRECT

SHOE4 SERIES DIMENSIONS AND WEIGHTS

| PUMP TYPE | DIMENSIONS (mm) | | | | | | | B | H max | L | k | WEIGHT kg |
|-----------------|-----------------|-----|------|-----|-----|-----|-----|-----|----------|-----|-----|--------------|
| | DNM | DNA | PUMP | | x | h1 | n | | | | | |
| | | | a | h2 | | | | | | | | |
| SHOE4 25-125/03 | 25 | 50 | 80 | 140 | 121 | 112 | 190 | 219 | 252 | 421 | 98 | 19 |
| SHOE4 25-160/03 | 25 | 50 | 80 | 160 | 121 | 132 | 210 | 254 | 292 | 421 | 98 | 23 |
| SHOE4 25-160/05 | 25 | 50 | 80 | 160 | 129 | 132 | 210 | 254 | 292 | 453 | 98 | 25 |
| SHOE4 25-160/07 | 25 | 50 | 80 | 160 | 129 | 132 | 210 | 254 | 292 | 453 | 98 | 26 |
| SHOE4 25-200/07 | 25 | 50 | 80 | 180 | 129 | 160 | 230 | 284 | 340 | 453 | 98 | 29 |
| SHOE4 32-125/03 | 32 | 50 | 80 | 140 | 121 | 112 | 190 | 219 | 252 | 421 | 98 | 19 |
| SHOE4 32-160/03 | 32 | 50 | 80 | 160 | 121 | 132 | 210 | 254 | 292 | 421 | 98 | 23 |
| SHOE4 32-160/05 | 32 | 50 | 80 | 160 | 129 | 132 | 210 | 254 | 292 | 453 | 98 | 25 |
| SHOE4 32-160/07 | 32 | 50 | 80 | 160 | 129 | 132 | 210 | 354 | 292 | 453 | 98 | 26 |
| SHOE4 32-200/07 | 32 | 50 | 80 | 180 | 129 | 160 | 230 | 284 | 340 | 453 | 98 | 29 |
| SHOE4 40-125/03 | 40 | 65 | 80 | 140 | 121 | 112 | 190 | 219 | 252 | 431 | 100 | 21 |
| SHOE4 40-160/05 | 40 | 65 | 80 | 160 | 129 | 132 | 210 | 254 | 292 | 463 | 100 | 26 |
| SHOE4 40-160/07 | 40 | 65 | 80 | 160 | 129 | 132 | 210 | 254 | 292 | 463 | 100 | 26 |
| SHOE4 40-160/11 | 40 | 65 | 80 | 160 | 121 | 132 | 210 | 254 | 292 | 481 | 100 | 25 |
| SHOE4 50-125/07 | 50 | 65 | 100 | 160 | 129 | 132 | 210 | 254 | 292 | 483 | 104 | 27 |
| SHOE4 50-125/11 | 50 | 65 | 100 | 160 | 121 | 132 | 210 | 254 | 292 | 501 | 104 | 28 |
| SHOE4 50-160/11 | 50 | 65 | 100 | 180 | 121 | 160 | 210 | 254 | 340 | 501 | 104 | 29 |
| SHOE4 50-160/15 | 50 | 65 | 100 | 180 | 121 | 160 | 210 | 254 | 340 | 501 | 104 | 31 |

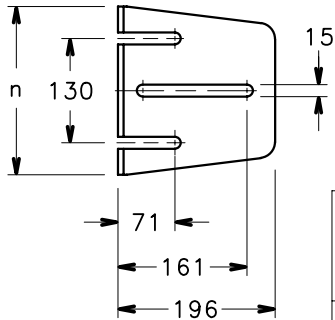
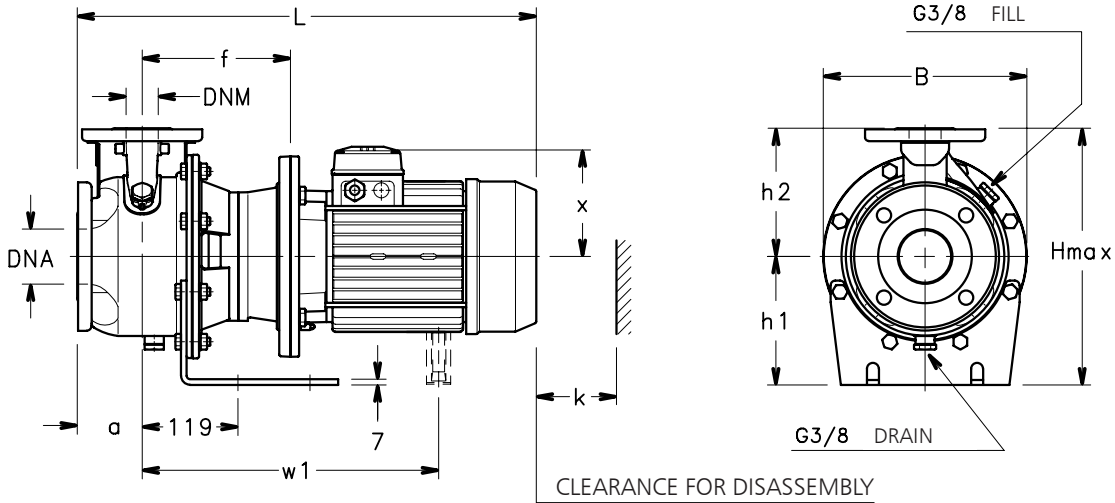
shoe4-4p50-en_a_td



ITT

POMPOIRECT

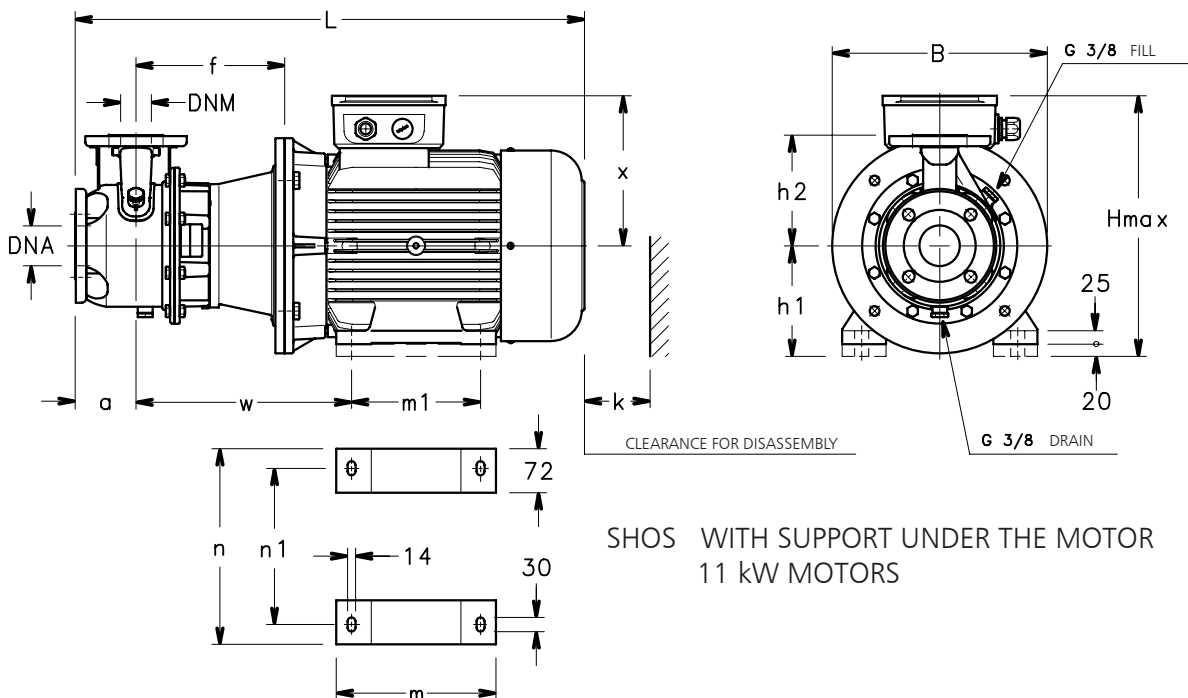
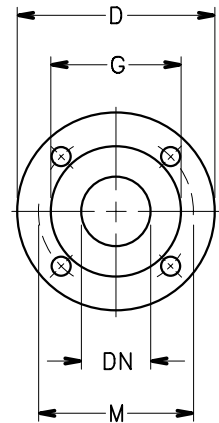
**SERIE SHOS
DIMENSIONS AND WEIGHTS**



SHOS WITH PUMP SUPPORT FOOT
MOTORS UP TO 7,5 kW

PUMP FLANGES

| DN | D | M | G | HOLES | | MAX THICKNESS |
|----|-----|-----|-----|-------|------|---------------|
| | | | | N° | DIA. | |
| 25 | 115 | 85 | 56 | 4 | 18 | 16 |
| 32 | 140 | 100 | 64 | 4 | 18 | 16 |
| 40 | 150 | 110 | 68 | 4 | 18 | 16 |
| 50 | 165 | 125 | 83 | 4 | 18 | 18 |
| 65 | 185 | 145 | 104 | 4 | 18 | 18 |



SHOS WITH SUPPORT UNDER THE MOTOR
11 kW MOTORS

05553_A_DD



ITT

POMPODIRECT

SHOS SERIES DIMENSIONS AND WEIGHTS

| PUMP TYPE | DIMENSIONS (mm) | | | | | | | | | | | | | | B | H max | L | k | WEIGHT kg |
|------------------|-----------------|-----|-----|-----|-----|-----|-----|-----|---------|-----|-----|-----|-----|-----|-----|----------|-----|-----|--------------|
| | PUMP | | | | | | | | SUPPORT | | | | | | | | | | |
| | DNM | DNA | a | f | h2 | w | w1 | x | h1 | m | m1 | n | n1 | | | | | | |
| SHOS 25-125/11 | 25 | 50 | 80 | 165 | 140 | - | - | 129 | 112 | - | - | 190 | - | 219 | 252 | 508 | 98 | 24 | |
| SHOS 25-125/15 | 25 | 50 | 80 | 165 | 140 | - | - | 129 | 112 | - | - | 190 | - | 219 | 252 | 508 | 98 | 26 | |
| SHOS 25-125/22 | 25 | 50 | 80 | 165 | 140 | - | - | 129 | 112 | - | - | 190 | - | 219 | 252 | 508 | 98 | 28 | |
| SHOS 25-160/30 | 25 | 50 | 80 | 175 | 160 | - | - | 121 | 160 | - | - | 210 | - | 254 | 320 | 558 | 98 | 38 | |
| SHOS 25-160/40 | 25 | 50 | 80 | 175 | 160 | - | - | 137 | 160 | - | - | 210 | - | 254 | 320 | 562 | 98 | 42 | |
| SHOS 25-160/55 | 25 | 50 | 80 | 202 | 160 | - | 434 | 151 | 160 | - | - | 210 | - | 254 | 320 | 658 | 98 | 57 | |
| SHOS 25-200/30 | 25 | 50 | 80 | 175 | 180 | - | - | 121 | 160 | - | - | 230 | - | 284 | 340 | 558 | 98 | 40 | |
| SHOS 25-200/40 | 25 | 50 | 80 | 175 | 180 | - | - | 137 | 160 | - | - | 230 | - | 284 | 340 | 562 | 98 | 45 | |
| SHOS 25-200/55 | 25 | 50 | 80 | 202 | 180 | - | 434 | 151 | 160 | - | - | 230 | - | 284 | 340 | 658 | 98 | 60 | |
| SHOS 32-125/11 | 32 | 50 | 80 | 165 | 140 | - | - | 129 | 112 | - | - | 190 | - | 219 | 252 | 508 | 98 | 24 | |
| SHOS 32-125/15 | 32 | 50 | 80 | 165 | 140 | - | - | 129 | 112 | - | - | 190 | - | 219 | 252 | 508 | 98 | 26 | |
| SHOS 32-125/22 | 32 | 50 | 80 | 165 | 140 | - | - | 129 | 112 | - | - | 190 | - | 219 | 252 | 508 | 98 | 28 | |
| SHOS 32-160/30 | 32 | 50 | 80 | 175 | 160 | - | - | 121 | 160 | - | - | 210 | - | 254 | 320 | 558 | 98 | 38 | |
| SHOS 32-160/40 | 32 | 50 | 80 | 175 | 160 | - | - | 137 | 160 | - | - | 210 | - | 254 | 320 | 562 | 98 | 42 | |
| SHOS 32-160/55 | 32 | 50 | 80 | 202 | 160 | - | 434 | 151 | 160 | - | - | 210 | - | 254 | 320 | 658 | 98 | 57 | |
| SHOS 32-200/30 | 32 | 50 | 80 | 175 | 180 | - | - | 121 | 160 | - | - | 230 | - | 284 | 340 | 558 | 98 | 40 | |
| SHOS 32-200/40 | 32 | 50 | 80 | 175 | 180 | - | - | 137 | 160 | - | - | 230 | - | 284 | 340 | 562 | 98 | 45 | |
| SHOS 32-200/55 | 32 | 50 | 80 | 202 | 180 | - | 434 | 151 | 160 | - | - | 230 | - | 284 | 340 | 658 | 98 | 60 | |
| SHOS 40-125/15 | 40 | 65 | 80 | 175 | 140 | - | - | 129 | 112 | - | - | 190 | - | 219 | 252 | 518 | 100 | 27 | |
| SHOS 40-125/22 | 40 | 65 | 80 | 175 | 140 | - | - | 129 | 112 | - | - | 190 | - | 219 | 252 | 518 | 100 | 29 | |
| SHOS 40-125/30 | 40 | 65 | 80 | 185 | 140 | - | - | 121 | 160 | - | - | 190 | - | 219 | 300 | 568 | 100 | 36 | |
| SHOS 40-160/40 | 40 | 65 | 80 | 185 | 160 | - | - | 137 | 160 | - | - | 210 | - | 254 | 320 | 572 | 100 | 43 | |
| SHOS 40-160/55 | 40 | 65 | 80 | 212 | 160 | - | 444 | 151 | 160 | - | - | 210 | - | 254 | 320 | 668 | 100 | 58 | |
| SHOS 40-160/75 | 40 | 65 | 80 | 212 | 160 | - | 444 | 151 | 160 | - | - | 210 | - | 254 | 320 | 668 | 100 | 64 | |
| SHOS 50-125/55 | 50 | 65 | 100 | 212 | 160 | - | 444 | 151 | 160 | - | - | 210 | - | 254 | 320 | 688 | 104 | 58 | |
| SHOS 50-125/75 | 50 | 65 | 100 | 212 | 160 | - | 444 | 151 | 160 | - | - | 210 | - | 254 | 320 | 688 | 104 | 64 | |
| SHOS 50-160/110A | 50 | 65 | 100 | 242 | 180 | 350 | - | 244 | 180 | 264 | 210 | 318 | 254 | 350 | 424 | 830 | 104 | 112 | |
| SHOS 50-160/110 | 50 | 65 | 100 | 242 | 180 | 350 | - | 244 | 180 | 264 | 210 | 318 | 254 | 350 | 424 | 830 | 104 | 112 | |

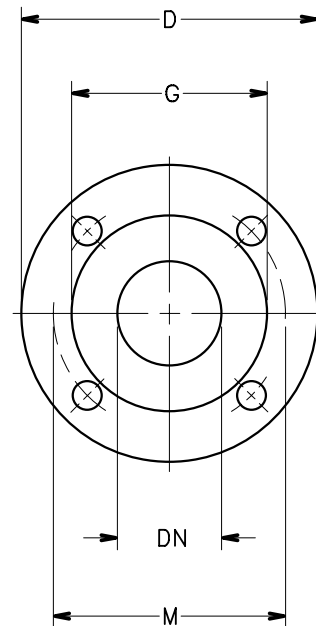
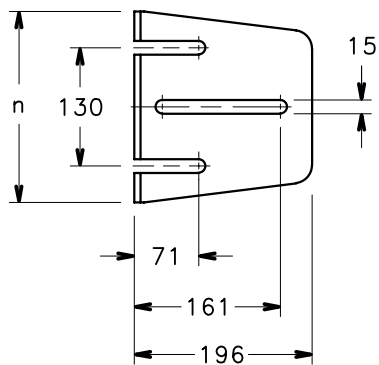
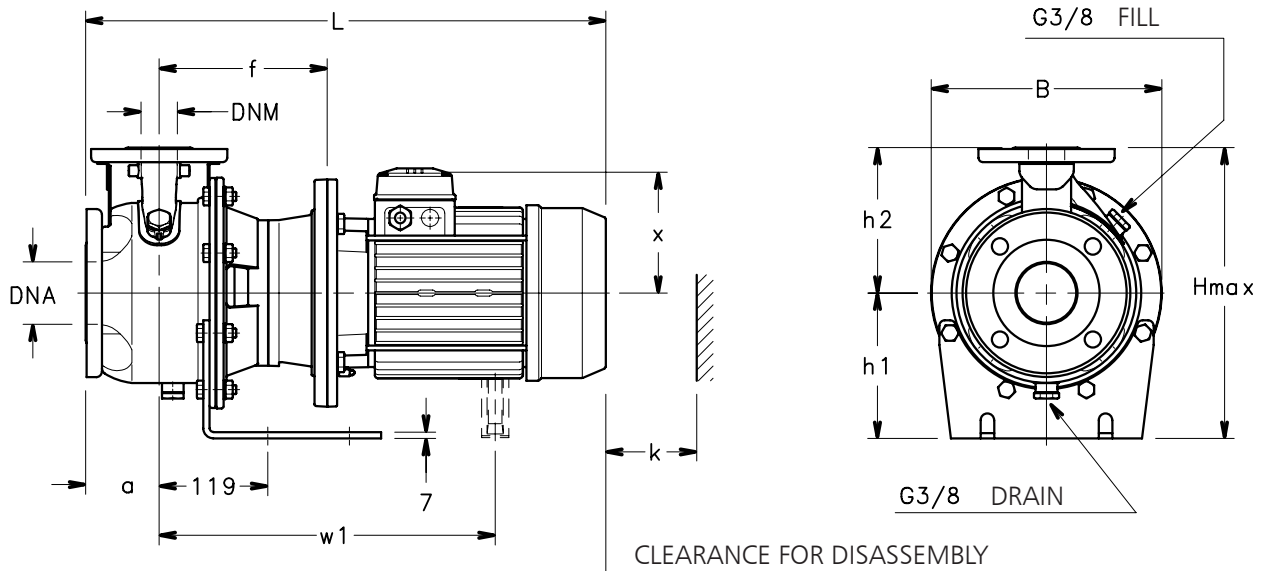
shos-2p50-en_a_td



ITT

POMPOIRECT

**SHOS4 SERIES
DIMENSIONS AND WEIGHTS**



PUMP FLANGES

| DN | D | M | G | HOLES | | MAX THICKNESS |
|----|-----|-----|-----|-------|------|---------------|
| | | | | N° | DIA. | |
| 25 | 115 | 85 | 56 | 4 | 18 | 16 |
| 32 | 140 | 100 | 64 | 4 | 18 | 16 |
| 40 | 150 | 110 | 68 | 4 | 18 | 16 |
| 50 | 165 | 125 | 83 | 4 | 18 | 18 |
| 65 | 185 | 145 | 104 | 4 | 18 | 18 |

05554_A_DD



ITT

POMPOIRECT

SHOS4 SERIES DIMENSIONS AND WEIGHTS

| PUMP TYPE | DIMENSIONS (mm) | | | | | | | | | | | WEIGHT kg | |
|-----------------|-----------------|-----|-----|-----|-----|-----|---------|-----|-----|----------|-----|--------------|----|
| | PUMP | | | | | | SUPPORT | | B | H max | L | | k |
| | DNM | DNA | a | f | h2 | x | h1 | n | | | | | |
| SHOS4 25-125/03 | 25 | 50 | 80 | 165 | 140 | 129 | 112 | 190 | 219 | 252 | 508 | 98 | 24 |
| SHOS4 25-160/03 | 25 | 50 | 80 | 165 | 160 | 129 | 132 | 210 | 254 | 292 | 508 | 98 | 27 |
| SHOS4 25-160/05 | 25 | 50 | 80 | 165 | 160 | 129 | 132 | 210 | 254 | 292 | 508 | 98 | 27 |
| SHOS4 25-160/07 | 25 | 50 | 80 | 165 | 160 | 129 | 132 | 210 | 254 | 292 | 508 | 98 | 28 |
| SHOS4 25-200/07 | 25 | 50 | 80 | 165 | 180 | 129 | 160 | 230 | 284 | 340 | 508 | 98 | 32 |
| SHOS4 32-125/03 | 32 | 50 | 80 | 165 | 140 | 129 | 112 | 190 | 219 | 252 | 508 | 98 | 24 |
| SHOS4 32-160/03 | 32 | 50 | 80 | 165 | 160 | 129 | 132 | 210 | 254 | 292 | 508 | 98 | 27 |
| SHOS4 32-160/05 | 32 | 50 | 80 | 165 | 160 | 129 | 132 | 210 | 254 | 292 | 508 | 98 | 27 |
| SHOS4 32-160/07 | 32 | 50 | 80 | 165 | 160 | 129 | 132 | 210 | 254 | 292 | 508 | 98 | 28 |
| SHOS4 32-200/07 | 32 | 50 | 80 | 165 | 180 | 129 | 160 | 230 | 284 | 340 | 508 | 98 | 32 |
| SHOS4 40-125/03 | 40 | 65 | 80 | 175 | 140 | 129 | 112 | 190 | 219 | 252 | 518 | 100 | 25 |
| SHOS4 40-160/05 | 40 | 65 | 80 | 175 | 160 | 129 | 132 | 210 | 254 | 292 | 518 | 100 | 29 |
| SHOS4 40-160/07 | 40 | 65 | 80 | 175 | 160 | 129 | 132 | 210 | 254 | 292 | 518 | 100 | 30 |
| SHOS4 40-160/11 | 40 | 65 | 80 | 175 | 160 | 121 | 132 | 210 | 254 | 292 | 536 | 100 | 31 |
| SHOS4 50-125/07 | 50 | 65 | 100 | 175 | 160 | 129 | 132 | 210 | 254 | 292 | 538 | 104 | 30 |
| SHOS4 50-125/11 | 50 | 65 | 100 | 175 | 160 | 121 | 132 | 210 | 254 | 292 | 556 | 104 | 32 |
| SHOS4 50-160/11 | 50 | 65 | 100 | 175 | 180 | 121 | 160 | 230 | 254 | 340 | 556 | 104 | 33 |
| SHOS4 50-160/15 | 50 | 65 | 100 | 175 | 180 | 121 | 160 | 230 | 254 | 340 | 556 | 104 | 35 |

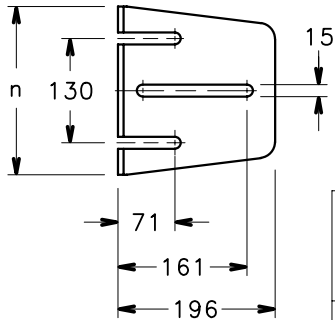
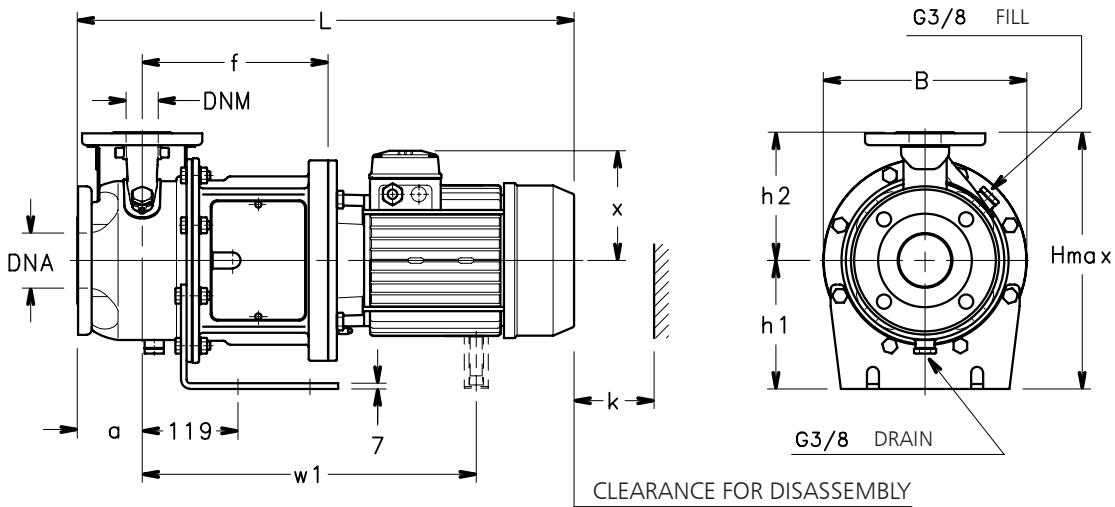
shos4-4p50-en_a_td



ITT

POMPOIRECT

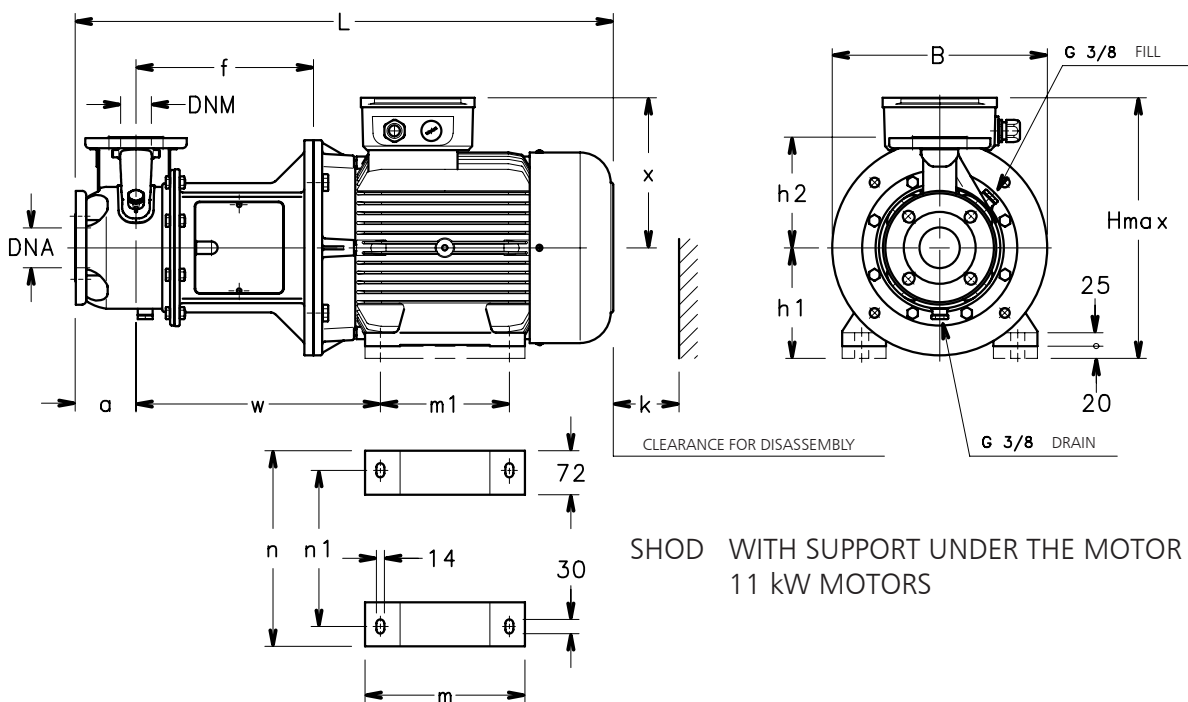
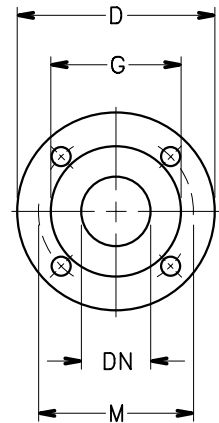
**SHOD SERIES
DIMENSIONS AND WEIGHTS**



SHOD WITH PUMP SUPPORT FOOT
MOTORS UP TO 7,5 kW

PUMP FLANGES

| DN | D | M | G | HOLES | | MAX THICKNESS |
|----|-----|-----|-----|-------|------|---------------|
| | | | | Nº | DIA. | |
| 25 | 115 | 85 | 56 | 4 | 18 | 16 |
| 32 | 140 | 100 | 64 | 4 | 18 | 16 |
| 40 | 150 | 110 | 68 | 4 | 18 | 16 |
| 50 | 165 | 125 | 83 | 4 | 18 | 18 |
| 65 | 185 | 145 | 104 | 4 | 18 | 18 |



SHOD WITH SUPPORT UNDER THE MOTOR
11 kW MOTORS

05573_A_DD



ITT

POMPOIRECT

SHOD SERIES DIMENSIONS AND WEIGHTS

| PUMP TYPE | DIMENSIONS (mm) | | | | | | | | | | | | | B | H max | L | k | WEIGHT kg |
|------------------|-----------------|-----|-----|-----|-----|-----|-----|-----|---------|-----|-----|-----|-----|-----|----------|-----|-----|--------------|
| | PUMP | | | | | | | | SUPPORT | | | | | | | | | |
| | DNM | DNA | a | f | h2 | w | w1 | x | h1 | m | m1 | n | n1 | | | | | |
| SHOD 25-125/11 | 25 | 50 | 80 | 212 | 140 | - | - | 129 | 112 | - | - | 190 | - | 219 | 252 | 555 | 98 | 26 |
| SHOD 25-125/15 | 25 | 50 | 80 | 212 | 140 | - | - | 129 | 112 | - | - | 190 | - | 219 | 252 | 555 | 98 | 28 |
| SHOD 25-125/22 | 25 | 50 | 80 | 212 | 140 | - | - | 129 | 112 | - | - | 190 | - | 219 | 252 | 555 | 98 | 30 |
| SHOD 25-160/30 | 25 | 50 | 80 | 222 | 160 | - | - | 121 | 160 | - | - | 210 | - | 254 | 320 | 605 | 98 | 40 |
| SHOD 25-160/40 | 25 | 50 | 80 | 222 | 160 | - | - | 137 | 160 | - | - | 210 | - | 254 | 320 | 609 | 98 | 44 |
| SHOD 25-160/55 | 25 | 50 | 80 | 249 | 160 | - | 480 | 151 | 160 | - | - | 210 | - | 254 | 320 | 705 | 98 | 58 |
| SHOD 25-200/30 | 25 | 50 | 80 | 222 | 180 | - | - | 121 | 160 | - | - | 230 | - | 284 | 340 | 605 | 98 | 42 |
| SHOD 25-200/40 | 25 | 50 | 80 | 222 | 180 | - | - | 137 | 160 | - | - | 230 | - | 284 | 340 | 609 | 98 | 47 |
| SHOD 25-200/55 | 25 | 50 | 80 | 249 | 180 | - | 480 | 151 | 160 | - | - | 230 | - | 284 | 340 | 705 | 98 | 62 |
| SHOD 32-125/11 | 32 | 50 | 80 | 212 | 140 | - | - | 129 | 112 | - | - | 190 | - | 219 | 252 | 555 | 98 | 26 |
| SHOD 32-125/15 | 32 | 50 | 80 | 212 | 140 | - | - | 129 | 112 | - | - | 190 | - | 219 | 252 | 555 | 98 | 28 |
| SHOD 32-125/22 | 32 | 50 | 80 | 212 | 140 | - | - | 129 | 112 | - | - | 190 | - | 219 | 252 | 555 | 98 | 30 |
| SHOD 32-160/30 | 32 | 50 | 80 | 222 | 160 | - | - | 121 | 160 | - | - | 210 | - | 254 | 320 | 605 | 98 | 40 |
| SHOD 32-160/40 | 32 | 50 | 80 | 222 | 160 | - | - | 137 | 160 | - | - | 210 | - | 254 | 320 | 609 | 98 | 44 |
| SHOD 32-160/55 | 32 | 50 | 80 | 249 | 160 | - | 480 | 151 | 160 | - | - | 210 | - | 254 | 320 | 705 | 98 | 58 |
| SHOD 32-200/30 | 32 | 50 | 80 | 222 | 180 | - | - | 121 | 160 | - | - | 230 | - | 284 | 340 | 605 | 98 | 42 |
| SHOD 32-200/40 | 32 | 50 | 80 | 222 | 180 | - | - | 137 | 160 | - | - | 230 | - | 284 | 340 | 609 | 98 | 47 |
| SHOD 32-200/55 | 32 | 50 | 80 | 249 | 180 | - | 480 | 151 | 160 | - | - | 230 | - | 284 | 340 | 705 | 98 | 62 |
| SHOD 40-125/15 | 40 | 65 | 80 | 222 | 140 | - | - | 129 | 112 | - | - | 190 | - | 219 | 252 | 565 | 100 | 28 |
| SHOD 40-125/22 | 40 | 65 | 80 | 222 | 140 | - | - | 129 | 112 | - | - | 190 | - | 219 | 252 | 565 | 100 | 30 |
| SHOD 40-125/30 | 40 | 65 | 80 | 232 | 140 | - | - | 121 | 160 | - | - | 190 | - | 219 | 300 | 615 | 100 | 37 |
| SHOD 40-160/40 | 40 | 65 | 80 | 232 | 160 | - | - | 137 | 160 | - | - | 210 | - | 254 | 320 | 619 | 100 | 46 |
| SHOD 40-160/55 | 40 | 65 | 80 | 259 | 160 | - | 490 | 151 | 160 | - | - | 210 | - | 254 | 320 | 715 | 100 | 62 |
| SHOD 40-160/75 | 40 | 65 | 80 | 259 | 160 | - | 490 | 151 | 160 | - | - | 210 | - | 254 | 320 | 715 | 100 | 67 |
| SHOD 50-125/55 | 50 | 65 | 100 | 259 | 160 | - | 490 | 151 | 160 | - | - | 210 | - | 254 | 320 | 735 | 104 | 62 |
| SHOD 50-125/75 | 50 | 65 | 100 | 259 | 160 | - | 490 | 151 | 160 | - | - | 210 | - | 254 | 320 | 735 | 104 | 68 |
| SHOD 50-160/110A | 50 | 65 | 100 | 289 | 180 | 397 | - | 244 | 180 | 264 | 210 | 318 | 254 | 350 | 424 | 877 | 104 | 115 |
| SHOD 50-160/110 | 50 | 65 | 100 | 289 | 180 | 397 | - | 244 | 180 | 264 | 210 | 318 | 254 | 350 | 424 | 877 | 104 | 115 |

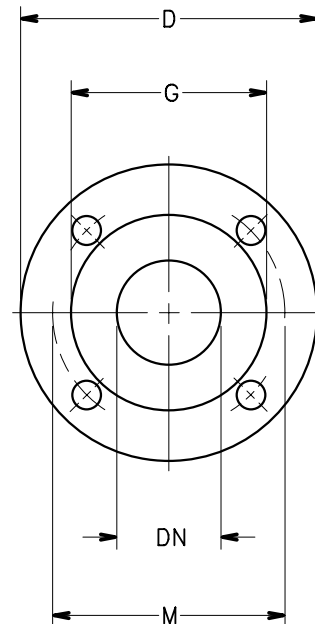
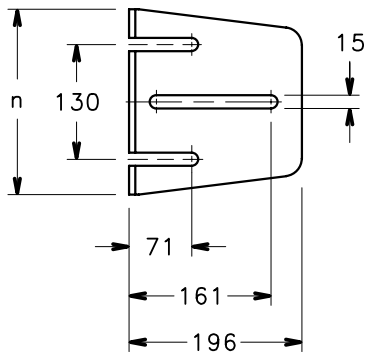
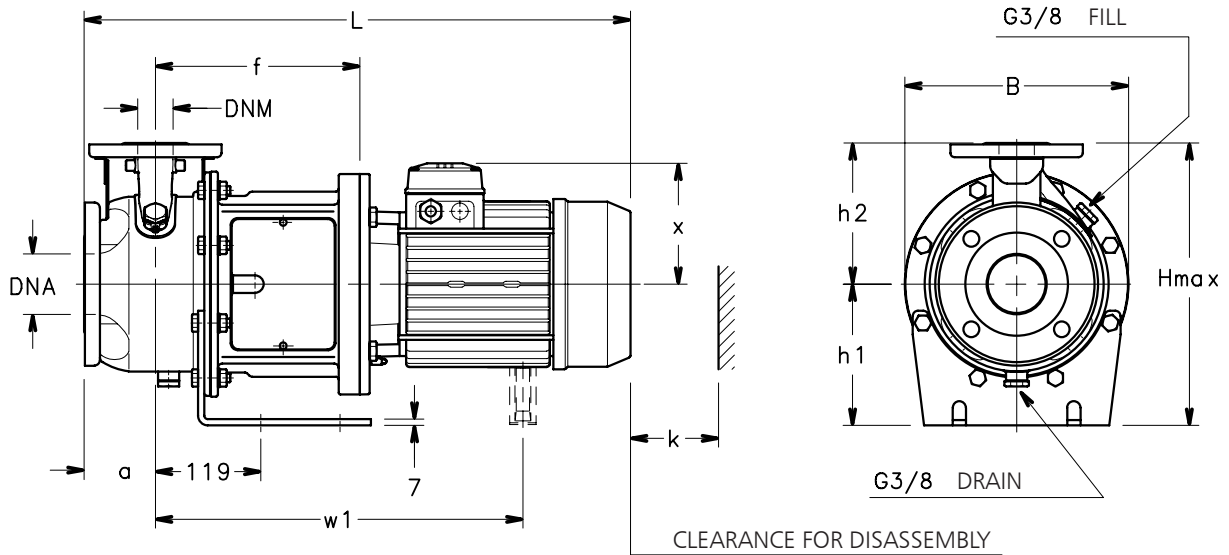
shod-2p50-en_a_td



ITT

POMPOIRECT

SHOD4 SERIES DIMENSIONS AND WEIGHTS



PUMP FLANGES

| DN | D | M | G | HOLES | | MAX THICKNESS |
|----|-----|-----|-----|-------|------|---------------|
| | | | | N° | DIA. | |
| 25 | 115 | 85 | 56 | 4 | 18 | 16 |
| 32 | 140 | 100 | 64 | 4 | 18 | 16 |
| 40 | 150 | 110 | 68 | 4 | 18 | 16 |
| 50 | 165 | 125 | 83 | 4 | 18 | 18 |
| 65 | 185 | 145 | 104 | 4 | 18 | 18 |

05574_A_DD



ITT

POMPODIRECT

SHOD4 SERIES DIMENSIONS AND WEIGHTS

| PUMP TYPE | DIMENSIONS (mm) | | | | | | | | | | | | WEIGHT kg |
|-----------------|-----------------|-----|-----|-----|-----|-----|---------|-----|-----|----------|-----|-----|--------------|
| | PUMP | | | | | | SUPPORT | | B | H max | L | k | |
| | DNM | DNA | a | f | h2 | x | h1 | n | | | | | |
| SHOD4 25-125/03 | 25 | 50 | 80 | 212 | 140 | 129 | 112 | 190 | 219 | 252 | 555 | 98 | 26 |
| SHOD4 25-160/03 | 25 | 50 | 80 | 212 | 160 | 129 | 132 | 210 | 254 | 292 | 555 | 98 | 29 |
| SHOD4 25-160/05 | 25 | 50 | 80 | 212 | 160 | 129 | 132 | 210 | 254 | 292 | 555 | 98 | 29 |
| SHOD4 25-160/07 | 25 | 50 | 80 | 212 | 160 | 129 | 132 | 210 | 254 | 292 | 555 | 98 | 30 |
| SHOD4 25-200/07 | 25 | 50 | 80 | 212 | 180 | 129 | 160 | 230 | 284 | 340 | 555 | 98 | 33 |
| SHOD4 32-125/03 | 32 | 50 | 80 | 212 | 140 | 129 | 112 | 190 | 219 | 252 | 555 | 98 | 26 |
| SHOD4 32-160/03 | 32 | 50 | 80 | 212 | 160 | 129 | 132 | 210 | 254 | 292 | 555 | 98 | 29 |
| SHOD4 32-160/05 | 32 | 50 | 80 | 212 | 160 | 129 | 132 | 210 | 254 | 292 | 555 | 98 | 29 |
| SHOD4 32-160/07 | 32 | 50 | 80 | 212 | 160 | 129 | 132 | 210 | 254 | 292 | 555 | 98 | 30 |
| SHOD4 32-200/07 | 32 | 50 | 80 | 212 | 180 | 129 | 160 | 230 | 284 | 340 | 555 | 98 | 33 |
| SHOD4 40-125/03 | 40 | 65 | 80 | 222 | 140 | 129 | 112 | 190 | 219 | 252 | 565 | 100 | 26 |
| SHOD4 40-160/05 | 40 | 65 | 80 | 222 | 160 | 129 | 132 | 210 | 254 | 292 | 565 | 100 | 29 |
| SHOD4 40-160/07 | 40 | 65 | 80 | 222 | 160 | 129 | 132 | 210 | 254 | 292 | 565 | 100 | 30 |
| SHOD4 40-160/11 | 40 | 65 | 80 | 222 | 160 | 121 | 132 | 210 | 254 | 292 | 583 | 100 | 32 |
| SHOD4 50-125/07 | 50 | 65 | 100 | 222 | 160 | 129 | 132 | 210 | 254 | 292 | 585 | 104 | 31 |
| SHOD4 50-125/11 | 50 | 65 | 100 | 222 | 160 | 121 | 132 | 210 | 254 | 292 | 603 | 104 | 32 |
| SHOD4 50-160/11 | 50 | 65 | 100 | 222 | 180 | 121 | 160 | 230 | 254 | 340 | 603 | 104 | 33 |
| SHOD4 50-160/15 | 50 | 65 | 100 | 222 | 180 | 121 | 160 | 230 | 254 | 340 | 603 | 104 | 35 |

shod4-4p50-en_a_td