

Pump type: Submersible Duplex pump
 Application: Waste water, Seawater

Pump data

Solids passage 50mm
 Discharge/ Suction diameter 50mm/ 50 mm
 Impeller type: Vortex
 Impeller diameter 110 - 80 mm
 Recommended min. flow 1.5 l/sec (5 m3/h)
 Weight 44 kg

Motor

Mains: 50 c/s – 3 phase
 Rated shaft power 1.5 kW
 Rated electrical power 2.1 kW
 Nominal speed 2790 rpm
 Motor efficiency 71 %
 Power factor (cos phi) 0.91
 Degree of protection IP 68
 Isolation class F (155°C)
 Max. water temperature 40°C
 Standard cable length 10 m

Materials

Pump casing AISI 329
 Impeller AISI 329
 Motor unit AISI 329
 Shaft AISI 316
 Bolts AISI 316
 Elastomers Viton (FPM)
 Electrical cable Neoprene (CR)
 Seal lubrication Oil
 Seal pump side Silicon carbide – Silicon carbide - Viton
 Seal motor side Carbon – Ceramic

Installation options

Guide bar coupling OWK 050

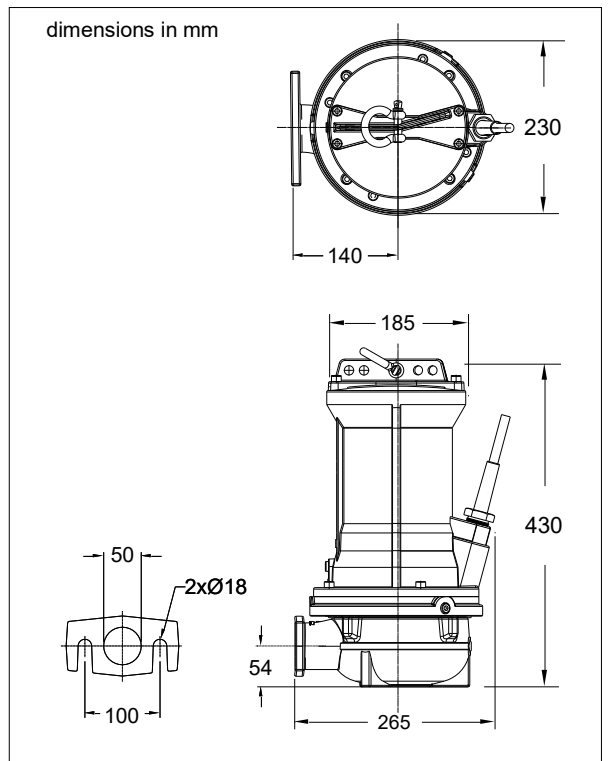
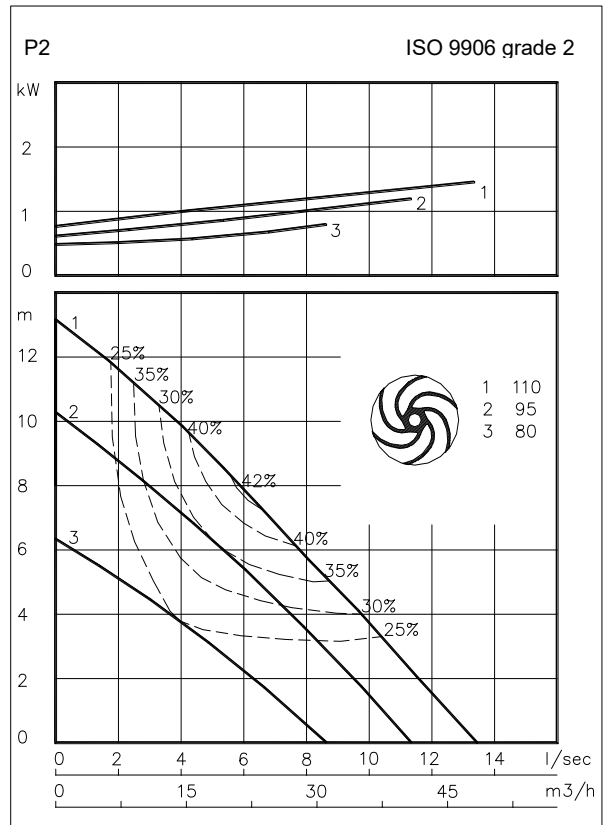


Freestanding including support 50 mm or 75 mm hose connection or G 2" threaded connection



Optional

- Flameproof version, to class: II 2 G Ex d IIB c T4
 Standard: II 2 G Ex b c d IIB T4 Gb
 With Frequency control: II 2 G Ex b c d IIB T3 Gb
- Thermo switches in stator windings (standard for flame proof version)
- Cable protective sheathing (AISI 316)
- Water detector in motor and oil chamber
 Flameproof version with external cable



Connections

voltage	current	Electrical cable size [mm ²]		motor protection and/or water detector		flameproof version	
		direct start		direct start		direct start	
230	5.8	4G1.5		7G1.5		7G1.5	
400	3.3	4G1.5		7G1.5		7G1.5	
500	2.7	4G1.5		7G1.5		7G1.5	
starting current DOL start : 4.8 x rated current							
* other voltages on request							

Pump type: Submersible Duplex pump

Application: Waste water, Seawater

Pump data

Solids passage 50 mm
 Discharge/ Suction diameter 50 mm/ 50 mm
 Impeller type: Vortex
 Impeller diameter 125 - 95 mm
 Recommended min. flow 1.5 l/sec (5 m3/h)
 Weight 45 kg

Motor

Mains: 50 c/s – 3 phase
 Rated shaft power 2.2 kW
 Rated electrical power 2.8 kW
 Nominal speed 2830 rpm
 Motor efficiency 79 %
 Power factor (cos phi) 0.89
 Degree of protection IP 68
 Isolation class F (155°C)
 Max. water temperature 40°C
 Standard cable length 10 m

Materials

Pump casing AISI 329
 Impeller AISI 329
 Motor unit AISI 329
 Shaft AISI 316
 Bolts AISI 316
 Elastomers Viton (FPM)
 Electrical cable Neoprene (CR)
 Seal lubrication Oil
 Seal pump side Silicon carbide – Silicon carbide - Viton
 Seal motor side Carbon – Ceramic

Installation options

Guide bar coupling OWK 050

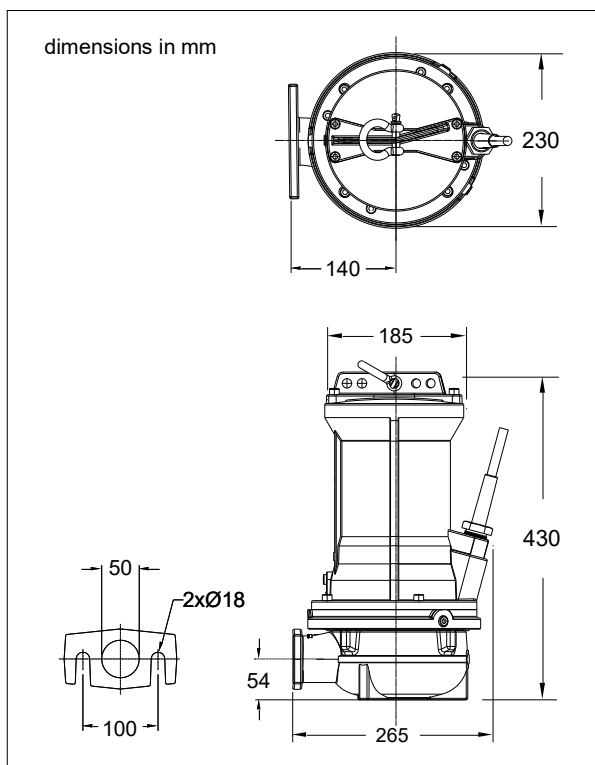
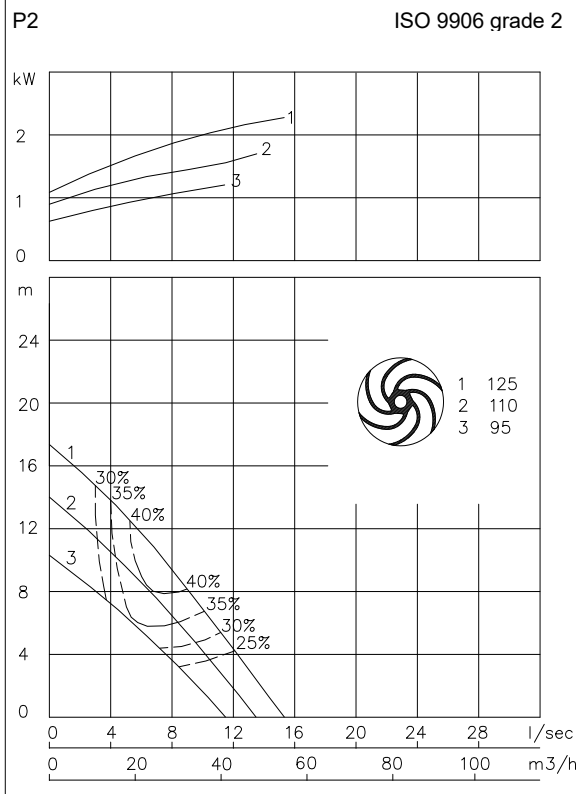


Freestanding including support (VRS) 50 mm or 75 mm hose connection or G 2" threaded connection



Optional

- Flameproof version, to class: II 2 G Ex d IIB c T4
 Standard: II 2 G Ex b c d IIB T4 Gb
 With Frequency control: II 2 G Ex b c d IIB T3 Gb
- Thermo switches in stator windings (standard for flame proof version)
- Cable protective sheathing (AISI 316)
- Water detector in motor and oil chamber
 Flameproof version with external cable



Connections

voltage [V]*	current [A]	Electrical cable size [mm ²]		motor protection and/or water detector		flameproof version	
		direct start		direct start		direct start	
230	7.9	4G1.5		7G1.5		7G1.5	
400	4.5	4G1.5		7G1.5		7G1.5	
500	3.6	4G1.5		7G1.5		7G1.5	
starting current DOL start : 5.3 x rated current							
				* other voltages on request			

Pump type: Submersible Duplex Pump

Application: Waste water, Seawater

Pump data

Solids passage 50 mm
 Discharge/ Suction diameter 50 mm/ 50 mm
 Impeller type: Vortex
 Impeller diameter 138 - 110 mm
 Recommended min. flow 1.5 l/sec (5 m³/h)
 Weight 45 kg

Motor

Mains: 50 c/s – 3 phase
 Rated shaft power 2.6 kW
 Rated electrical power 3.5 kW
 Nominal speed 2800 rpm
 Motor efficiency 74 %
 Power factor (cos phi) 0.90
 Degree of protection IP 68
 Isolation class F (155°C)
 Max. water temperature 40°C
 Standard cable length 10 m

Materials

Pump casing AISI 329
 Impeller AISI 329
 Motor unit AISI 329
 Shaft AISI 316
 Bolts AISI 316
 Elastomers Viton (FPM)
 Electrical cable Neoprene (CR)
 Seal lubrication Oil
 Seal pump side Silicon carbide – Silicon carbide - Viton
 Seal motor side Carbon – Ceramic

Installation options

Guide bar coupling OWK 050

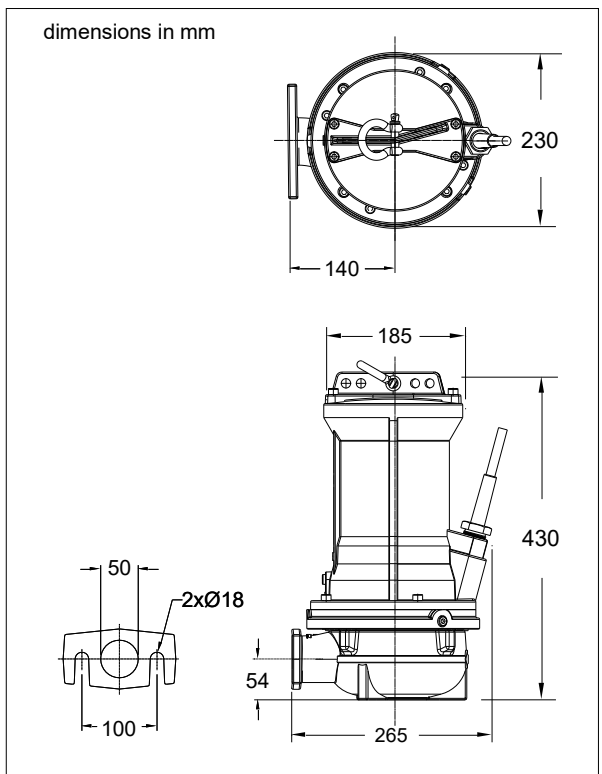
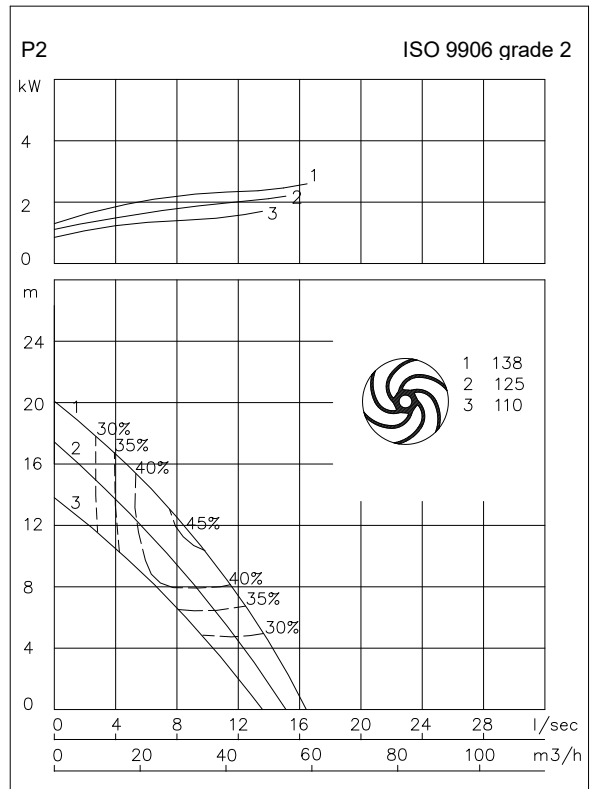


Freestanding including support (VRS) 50 mm or 75 mm hose connection or G 2" threaded connection



Optional

- Flameproof version, to class: II 2 G Ex d IIB c T4
 Standard: II 2 G Ex b c d IIB T4 Gb
 With Frequency control: II 2 G Ex b c d IIB T3 Gb
- Thermo switches in stator windings (standard for flame proof version)
- Cable protective sheathing (AISI 316)
- Water detector in motor and oil chamber
 Flameproof version with external cable



Connections

voltage [V]*	current [A]	Electrical cable size [mm ²]		motor protection and/or water detector		flameproof version		
		direct start	stardelta start	direct start	stardelta start	direct start	stardelta start	
230	9.7	4G1.5	7G1.5	7G1.5	10G1.5	7G1.5	10G1.5	
400	5.6	4G1.5	7G1.5	7G1.5	10G1.5	7G1.5	10G1.5	
500	4.5	4G1.5	7G1.5	7G1.5	10G1.5	7G1.5	10G1.5	
starting current DOL start : 4.6 x rated current								
starting current YD start : 1.5 x rated current								
							* other voltages on request	

Pump type: Submersible Duplex Pump

Application: Waste water, Seawater

Pump data

Solids passage 50 mm
 Discharge/ Suction diameter 50 mm/ 50 mm
 Impeller type: Vortex
 Impeller diameter 150 - 125 mm
 Recommended min. flow 1.5 l/sec (5 m3/h)
 Weight 48 kg

Motor

Mains: 50 c/s – 3 phase
 Rated shaft power 4.0 kW
 Rated electrical power 5.0 kW
 Nominal speed 2840 rpm
 Motor efficiency 80 %
 Power factor (cos phi) 0.85
 Degree of protection IP 68
 Isolation class F (155°C)
 Max. water temperature 40°C
 Standard cable length 10 m

Materials

Pump casing AISI 329
 Impeller AISI 329
 Motor unit AISI 329
 Shaft AISI 316
 Bolts AISI 316
 Elastomers Viton (FPM)
 Electrical cable Neoprene (CR)
 Seal lubrication Oil
 Seal pump side Silicon carbide – Silicon carbide - Viton
 Seal motor side Carbon – Ceramic

Installation options

Guide bar coupling OWK 050

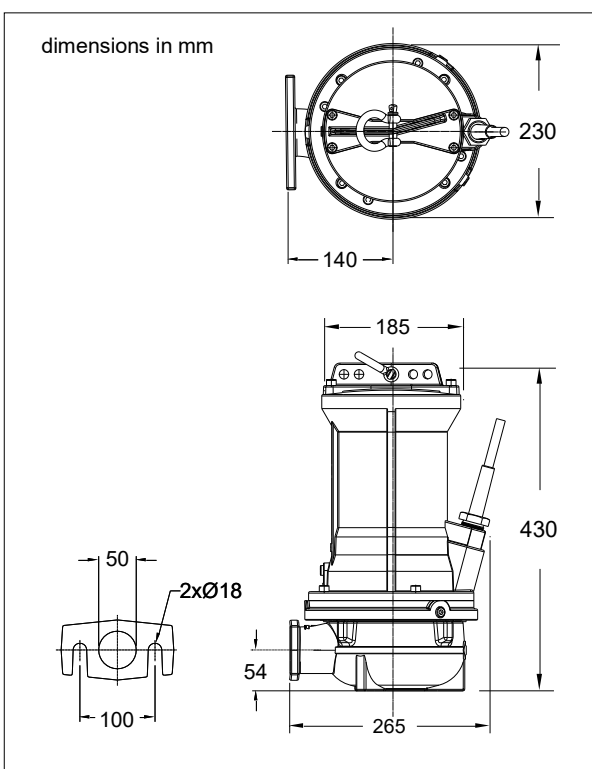
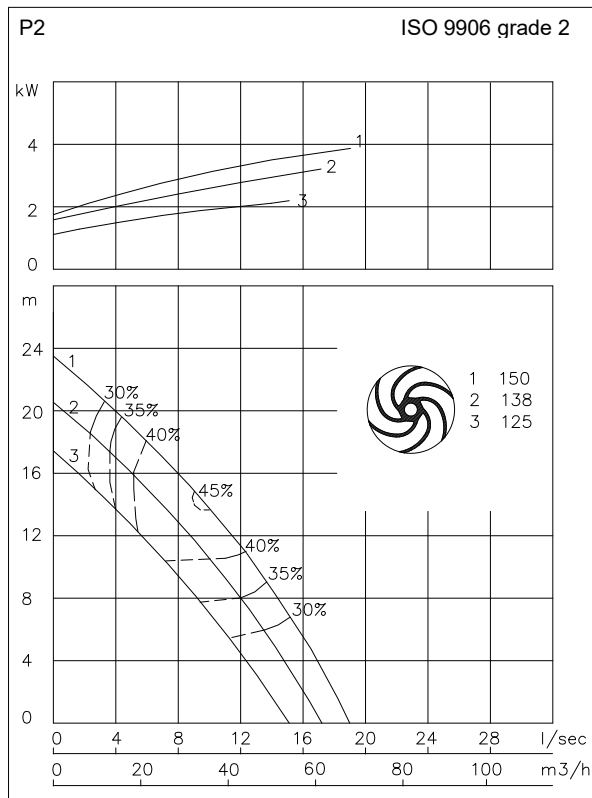


Freestanding including support (VRS) 50 mm or 75 mm hose connection or G 2" threaded connection



Optional

- Flameproof version, to class: II 2 G Ex d IIB c T4
 Standard: II 2 G Ex b c d IIB T4 Gb
 With Frequency control: II 2 G Ex b c d IIB T3 Gb
- Thermo switches in stator windings (standard for flame proof version)
- Cable protective sheathing (AISI 316)
- Water detector in motor and oil chamber
 Flameproof version with external cable



Connections

voltage	current	Electrical cable size [mm ²]		motor protection and/or water detector		flameproof version		
		direct start	stardelta start	direct start	stardelta start	direct start	stardelta start	
230	14.8	4G1.5	7G1.5	7G1.5	10G1.5	7G1.5	10G1.5	
400	8.5	4G1.5	7G1.5	7G1.5	10G1.5	7G1.5	10G1.5	
500	6.8	4G1.5	7G1.5	7G1.5	10G1.5	7G1.5	10G1.5	
starting current DOL start : 6.2 x rated current								
starting current YD start : 2.1 x rated current								
							* other voltages on request	

Pump type: Submersible Duplex pump
 Application: Waste water, Seawater

Pump data

Solids passage 50mm
 Discharge/ Suction diameter 50mm/ 50 mm
 Impeller type: Vortex
 Impeller diameter 160 - 110 mm
 Recommended min. flow 1.5 l/sec (5 m3/h)
 Weight 44 kg

Motor

Mains: 50 c/s – 3 phase
 Rated shaft power 1.5 kW
 Rated electrical power 2.1 kW
 Nominal speed 1420 rpm
 Motor efficiency 71 %
 Power factor (cos phi) 0.84
 Degree of protection IP 68
 Isolation class F (155°C)
 Max. water temperature 40°C
 Standard cable length 10 m

Materials

Pump casing AISI 329
 Impeller AISI 329
 Motor unit AISI 329
 Shaft AISI 316
 Bolts AISI 316
 Elastomers Viton (FPM)
 Electrical cable Neoprene (CR)
 Seal lubrication Oil
 Seal pump side Silicon carbide – Silicon carbide - Viton
 Seal motor side Carbon – Ceramic

Installation options

Guide bar coupling OWK 050

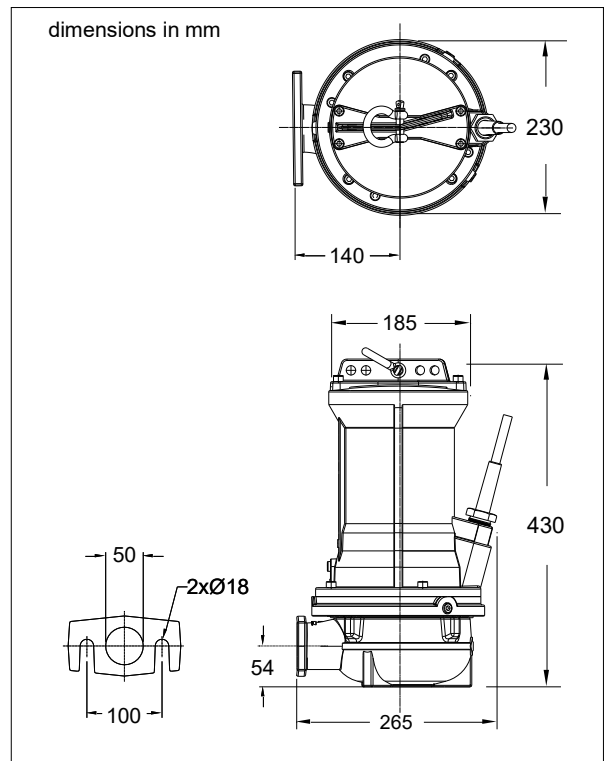
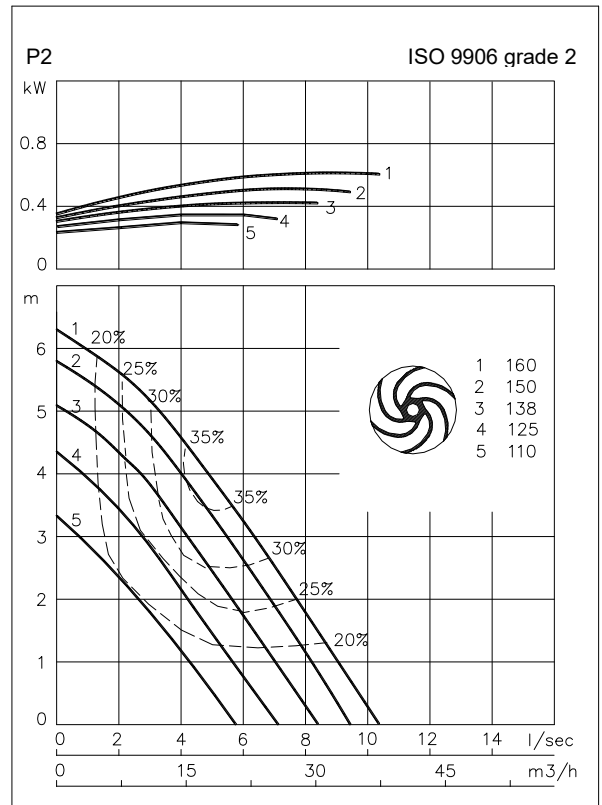


Freestanding including support 50 mm or 75 mm hose connection or G 2" threaded connection



Optional

- Flameproof version, to class: II 2 G Ex d IIB c T4
 Standard: II 2 G Ex b c d IIB T4 Gb
 With Frequency control: II 2 G Ex b c d IIB T3 Gb
- Thermo switches in stator windings (standard for flame proof version)
- Cable protective sheathing (AISI 316)
- Water detector in motor and oil chamber
 Flameproof version with external cable



Connections

voltage	current	Electrical cable size [mm ²]		motor protection and/or water detector		flameproof version	
		direct start		direct start		direct start	
230	6.3	4G1.5		7G1.5		7G1.5	
400	3.6	4G1.5		7G1.5		7G1.5	
500	2.9	4G1.5		7G1.5		7G1.5	
starting current DOL start : 4.8 x rated current							
* other voltages on request							

Pump type: Submersible Duplex pump
 Application: Waste water, Seawater

Pump data

Solids passage: 50 mm
 Discharge/ Suction diameter: 65 mm/ 65 mm
 Impeller type: Vortex
 Impeller diameter: 150 - 110 mm
 Recommended min. flow: 2 l/sec (8 m3/h)
 Weight: 45 kg

Motor

Mains: 50 c/s – 3 phase
 Rated shaft power: 1.5 kW
 Rated electrical power: 2.1 kW
 Nominal speed: 1420 rpm
 Motor efficiency: 71 %
 Power factor (cos phi): 0.84
 Degree of protection: IP 68
 Isolation class: F (155°C)
 Max. water temperature: 40°C
 Standard cable length: 10 m

Materials

Pump casing: AISI 329
 Impeller: AISI 329
 Motor unit: AISI 329
 Shaft: AISI 316
 Bolts: AISI 316
 Elastomers: Viton (FPM)
 Electrical cable: Neoprene (CR)
 Seal lubrication: Oil
 Seal pump side: Silicon carbide – Silicon carbide - Viton
 Seal motor side: Carbon - Ceramic

Installation options

Guide bar coupling: OWK 080

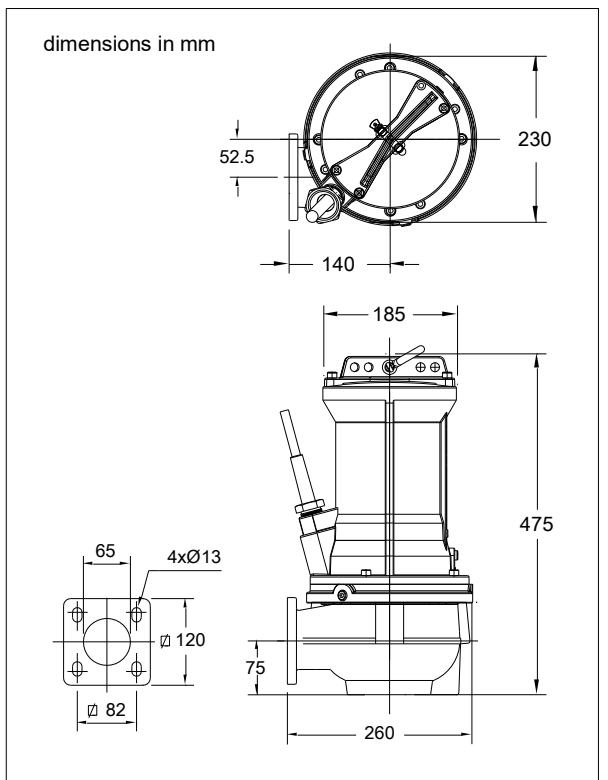
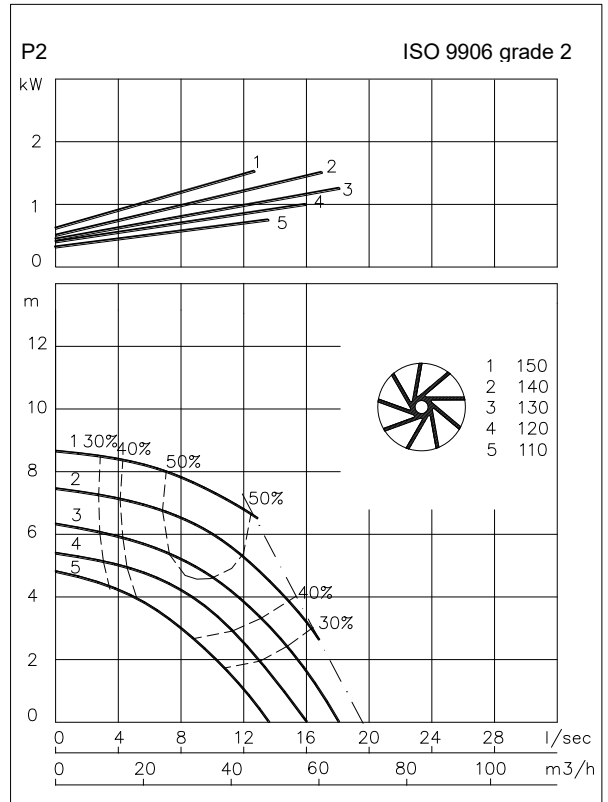


Freestanding: 75 mm hose connection or
 Including support (VRS): G 3" threaded connection



Optional

- Flameproof version, to class: II 2 G Ex d IIB c T4
 Standard: II 2 G Ex b c d IIB T4 Gb
 With Frequency control: II 2 G Ex b c d IIB T3 Gb
- Thermo switches in stator windings
 (standard for flame proof version)
- Cable protective sheathing (AISI 316)
- Water detector in motor and oil chamber
 Flameproof version with external cable



Connections

voltage	current	Electrical cable size [mm ²]		motor protection and/or water detector		flameproof version	
		direct start		direct start		direct start	
230	6.3	4G1.5		7G1.5		7G1.5	
400	3.6	4G1.5		7G1.5		7G1.5	
500	2.9	4G1.5		7G1.5		7G1.5	
starting current DOL start : 4.8 x rated current							
* other voltages on request							

Pump type: Submersible Duplex Pump

Application: Waste water, Seawater

Pump data

Solids passage 50 mm
 Discharge/ Suction diameter 65 mm/ 65 mm
 Impeller type: Vortex
 Impeller diameter 160 - 130 mm
 Recommended min. flow 2 l/sec (8 m³/h)
 Weight 45 kg

Motor

Mains: 50 c/s – 3 phase
 Rated shaft power 2.2 kW
 Rated electrical power 3.0 kW
 Nominal speed 1375 rpm
 Motor efficiency 71 %
 Power factor (cos phi) 0.89
 Degree of protection IP 68
 Isolation class F (155°C)
 Max. water temperature 40°C
 Standard cable length 10 m

Materials

Pump casing AISI 329
 Impeller AISI 329
 Motor unit AISI 329
 Shaft AISI 316
 Bolts AISI 316
 Elastomers Viton (FPM)
 Electrical cable Neoprene (CR)
 Seal lubrication Oil
 Seal pump side Silicon carbide – Silicon carbide - Viton
 Seal motor side Carbon - Ceramic

Installation options

Guide bar coupling OWK 080

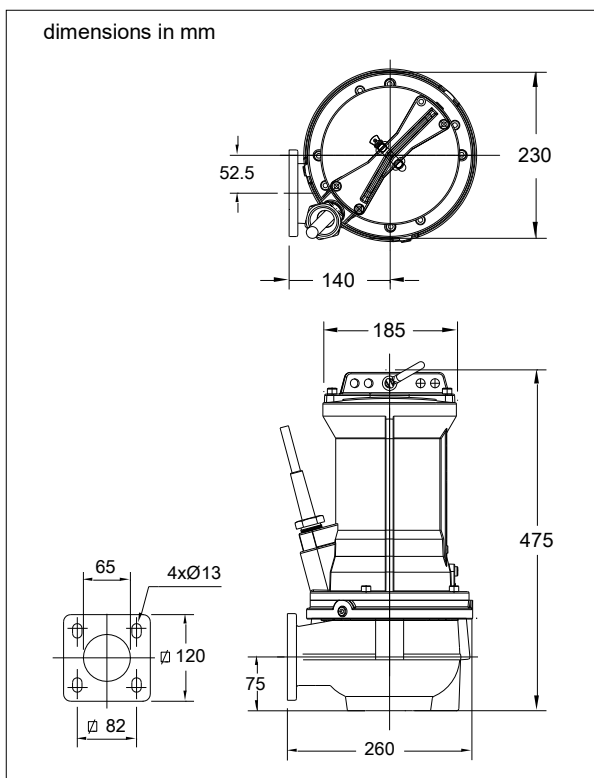
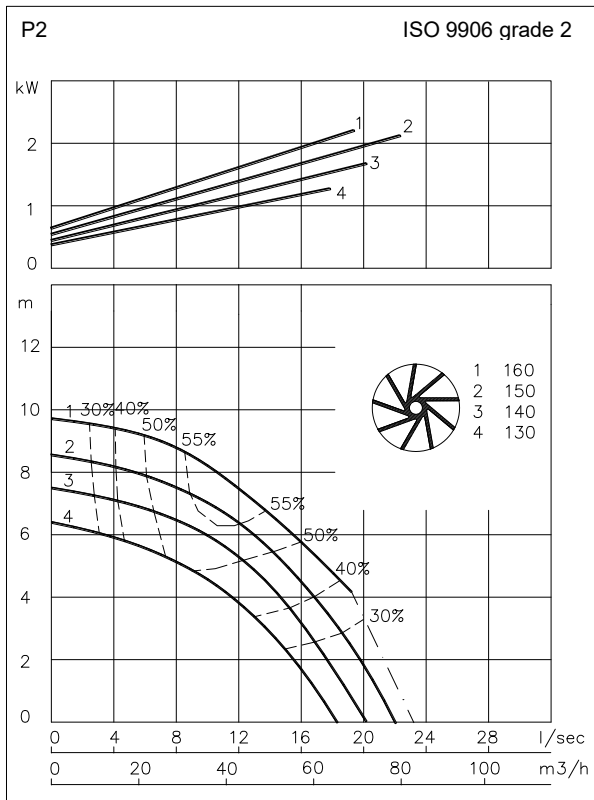


Freestanding 75 mm hose connection or
 Including support (VRS) G 3" threaded connection



Optional

- Flameproof version, to class: II 2 G Ex d IIB c T4
 Standard: II 2 G Ex b c d IIB T4 Gb
 With Frequency control: II 2 G Ex b c d IIB T3 Gb
- Thermo switches in stator windings
 (standard for flame proof version)
- Cable protective sheathing (AISI 316)
- Water detector in motor and oil chamber
 Flameproof version with external cable



Connections

voltage	current	Electrical cable size [mm ²]		motor protection and/or water detector		flameproof version		
		direct start	stardelta start	direct start	stardelta start	direct start	stardelta start	
[V]*	[A]							
230	8.7	4G1.5	7G1.5	7G1.5	10G1.5	7G1.5	10G1.5	
400	5.0	4G1.5	7G1.5	7G1.5	10G1.5	7G1.5	10G1.5	
500	4.0	4G1.5	7G1.5	7G1.5	10G1.5	7G1.5	10G1.5	
starting current DOL start : 3.4 x rated current								
starting current YD start : 1.1 x rated current								
							* other voltages on request	

Pump type: Submersible Duplex Pump

Application: Waste water, Seawater

Pump data

Solids passage 65 mm
 Discharge/ Suction diameter 65 mm/ 65 mm
 Impeller type: Vortex
 Impeller diameter 110 - 95 mm
 Recommended min. flow 2 l/sec (8 m3/h)
 Weight 44 kg

Motor

Mains: 50 c/s – 3 phase
 Rated shaft power 1.5 kW
 Rated electrical power 2.1 kW
 Nominal speed 2790 rpm
 Motor efficiency 71 %
 Power factor (cos phi) 0.91
 Degree of protection IP 68
 Isolation class F (155°C)
 Max. water temperature 40°C
 Standard cable length 10 m

Materials

Pump casing AISI 329
 Impeller AISI 329
 Motor unit AISI 329
 Shaft AISI 316
 Bolts AISI 316
 Elastomers Viton (FPM)
 Electrical cable Neoprene (CR)
 Seal lubrication Oil
 Seal pump side Silicon carbide – Silicon carbide - Viton
 Seal motor side Carbon – Ceramic

Installation options

Guide bar coupling OWK 080

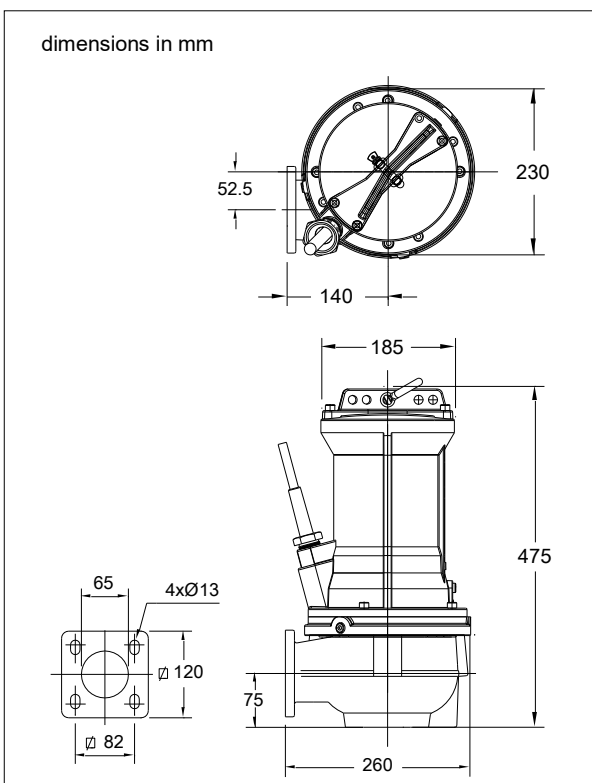
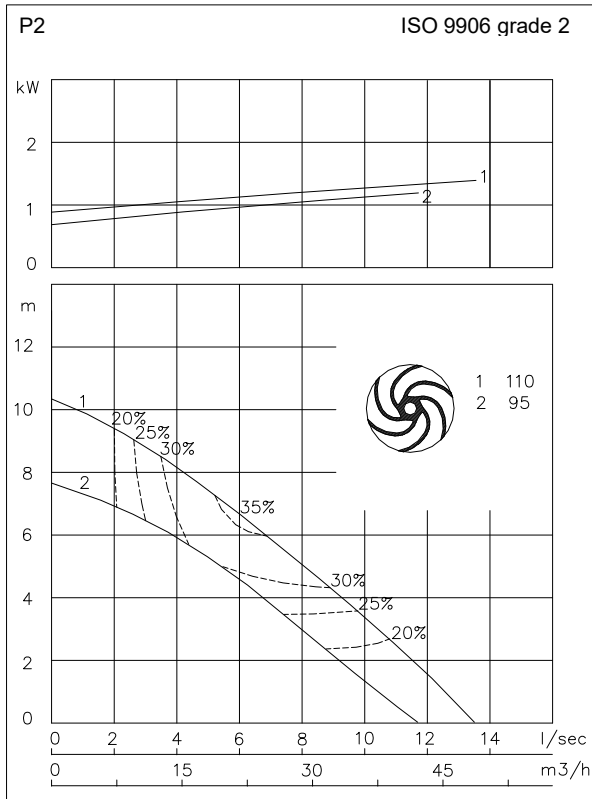


Freestanding Including support (VRS) 75 mm hose connection or G 3" threaded connection



Optional

- Flameproof version, to class: II 2 G Ex d IIB c T4
 Standard: II 2 G Ex b c d IIB T4 Gb
 With Frequency control: II 2 G Ex b c d IIB T3 Gb
- Thermo switches in stator windings (standard for flame proof version)
- Cable protective sheathing (AISI 316)
- Water detector in motor and oil chamber
 Flameproof version with external cable



Connections

voltage	current	Electrical cable size [mm ²]		motor protection and/or water detector		flameproof version	
		direct start		direct start		direct start	
230	5.8	4G1.5		7G1.5		7G1.5	
400	3.3	4G1.5		7G1.5		7G1.5	
500	2.7	4G1.5		7G1.5		7G1.5	
starting current DOL start : 4.8 x rated current							
* other voltages on request							

Pump type: Submersible Duplex Pump
 Application: Waste water, Seawater

Pump data

Solids passage: 65 mm
 Discharge/ Suction diameter: 65 mm/ 65 mm
 Impeller type: Vortex
 Impeller diameter: 125 - 95 mm
 Recommended min. flow: 2 l/sec (8 m3/h)
 Weight: 45 kg

Motor

Mains: 50 c/s – 3 phase
 Rated shaft power: 2.2 kW
 Rated electrical power: 2.8 kW
 Nominal speed: 2830 rpm
 Motor efficiency: 79 %
 Power factor (cos phi): 0.89
 Degree of protection: IP 68
 Isolation class: F (155°C)
 Max. water temperature: 40°C
 Standard cable length: 10 m

Materials

Pump casing: AISI 329
 Impeller: AISI 329
 Motor unit: AISI 329
 Shaft: AISI 316
 Bolts: AISI 316
 Elastomers: Viton (FPM)
 Electrical cable: Neoprene (CR)
 Seal lubrication: Oil
 Seal pump side: Silicon carbide – Silicon carbide - Viton
 Seal motor side: Carbon – Ceramic

Installation options

Guide bar coupling: OWK 080

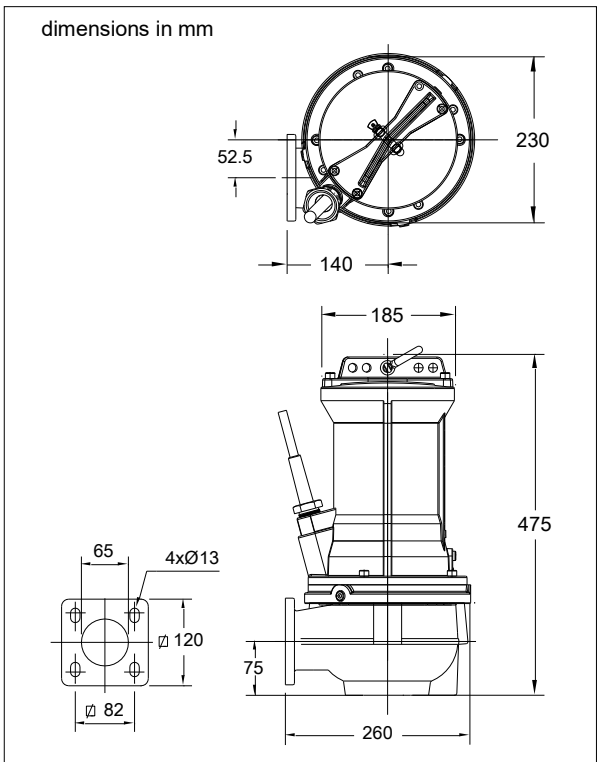
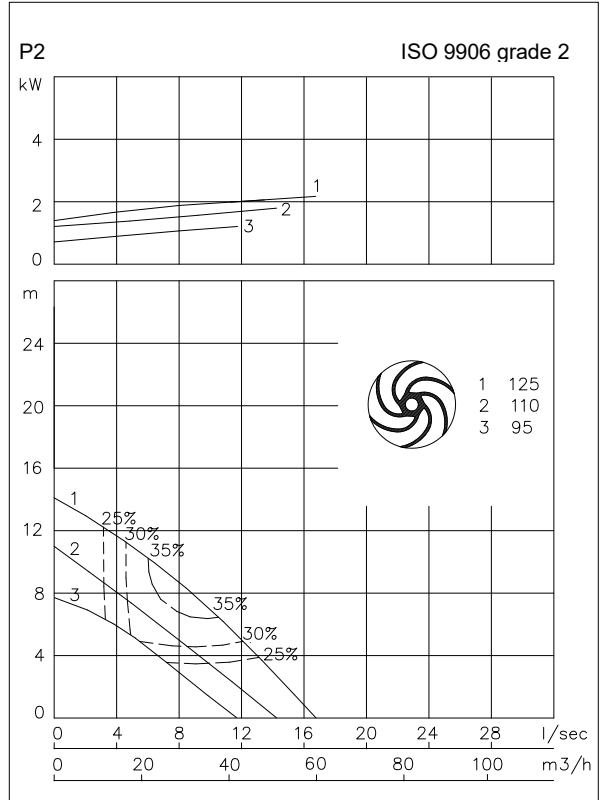


Freestanding: 75 mm hose connection or
 Including support (VRS): G 3" threaded connection



Optional

- Flameproof version, to class: II 2 G Ex d IIB c T4
 Standard: II 2 G Ex b c d IIB T4 Gb
 With Frequency control: II 2 G Ex b c d IIB T3 Gb
- Thermo switches in stator windings
 (standard for flame proof version)
- Cable protective sheathing (AISI 316)
- Water detector in motor and oil chamber
 Flameproof version with external cable



Connections

voltage	current	Electrical cable size [mm ²]		motor protection and/or water detector		flameproof version	
		direct start		direct start		direct start	
230	7.9	4G1.5		7G1.5		7G1.5	
400	4.5	4G1.5		7G1.5		7G1.5	
500	3.6	4G1.5		7G1.5		7G1.5	
starting current DOL start : 5.3 x rated current							
* other voltages on request							

Pump type: Submersible Duplex Pump
 Application: Waste water, Seawater

Pump data

Solids passage: 65 mm
 Discharge/ Suction diameter: 65 mm/ 65 mm
 Impeller type: Vortex
 Impeller diameter: 138 - 110 mm
 Recommended min. flow: 2 l/sec (8 m3/h)
 Weight: 45 kg

Motor

Mains: 50 c/s – 3 phase
 Rated shaft power: 2.6 kW
 Rated electrical power: 3.5 kW
 Nominal speed: 2800 rpm
 Motor efficiency: 74 %
 Power factor (cos phi): 0.91
 Degree of protection: IP 68
 Isolation class: F (155°C)
 Max. water temperature: 40°C
 Standard cable length: 10 m

Materials

Pump casing: AISI 329
 Impeller: AISI 329
 Motor unit: AISI 329
 Shaft: AISI 316
 Bolts: AISI 316
 Elastomers: Alt: viton (FPM)
 Electrical cable: Neoprene (CR)
 Seal lubrication: Oil
 Seal pump side: Silicon carbide – Silicon carbide - Viton
 Seal motor side: Carbon – Ceramic

Installation options

Guide bar coupling: OWK 080

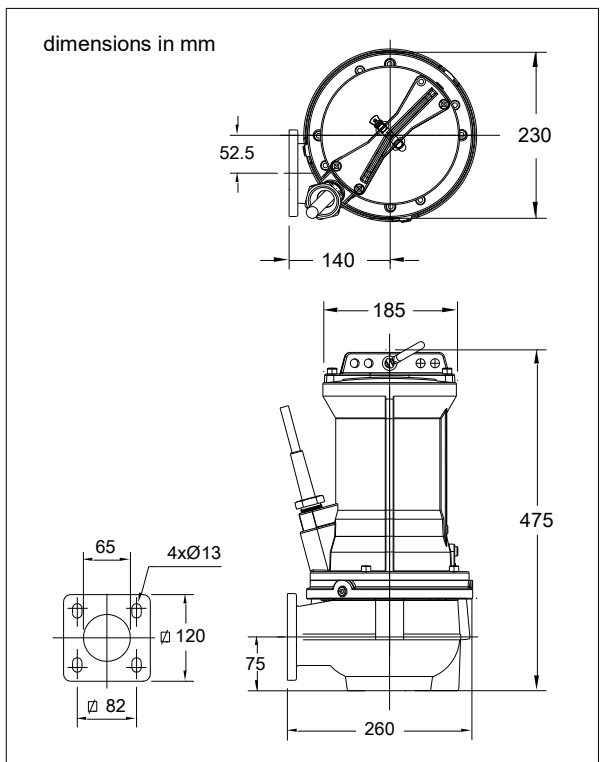
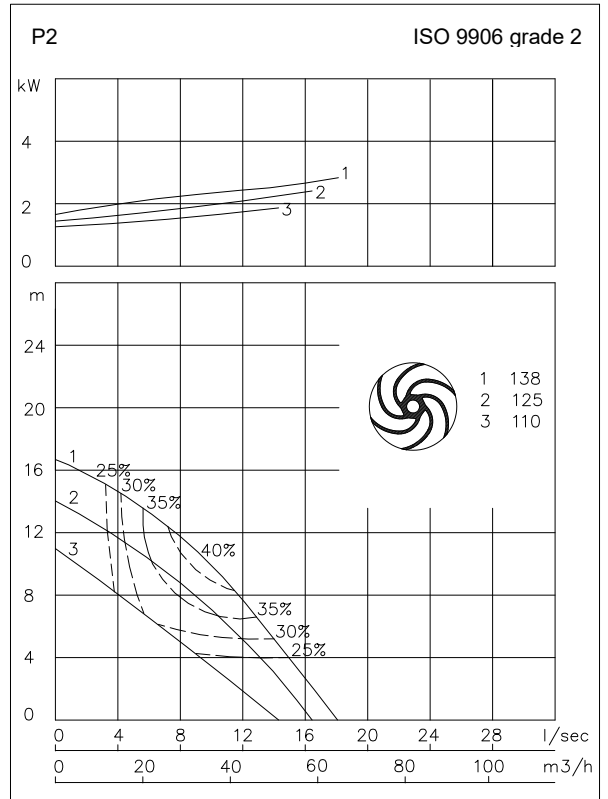


Freestanding: 75 mm hose connection or
 Including support (VRS): G 3" threaded connection



Optional

- Flameproof version, to class: II 2 G Ex d IIB c T4
 Standard: II 2 G Ex b c d IIB T4 Gb
 With Frequency control: II 2 G Ex b c d IIB T3 Gb
- Thermo switches in stator windings
 (standard for flame proof version)
- Cable protective sheathing (AISI 316)
- Water detector in motor and oil chamber
 Flameproof version with external cable



Connections

voltage	current	Electrical cable size [mm ²]		motor protection and/or water detector		flameproof version	
		direct start	stardelta start	direct start	stardelta start	direct start	stardelta start
230	9.7	4G1.5	7G1.5	7G1.5	10G1.5	7G1.5	10G1.5
400	5.6	4G1.5	7G1.5	7G1.5	10G1.5	7G1.5	10G1.5
500	4.5	4G1.5	7G1.5	7G1.5	10G1.5	7G1.5	10G1.5
starting current DOL start : 4.6 x rated current							
starting current YD start : 1.5 x rated current							
							* other voltages on request

Pump type: Submersible Duplex pump

Application: Waste water, Seawater

Pump data

Solids passage 65 mm
 Discharge/ Suction diameter 65 mm/ 65 mm
 Impeller type: Vortex
 Impeller diameter 150 - 125 mm
 Recommended min. flow 2 l/sec (8 m3/h)
 Weight 48 kg

Motor

Mains: 50 c/s – 3 phase
 Rated shaft power 4.0 kW
 Rated electrical power 5.0 kW
 Nominal speed 2840 rpm
 Motor efficiency 80 %
 Power factor (cos phi) 0.85
 Degree of protection IP 68
 Isolation class F (155°C)
 Max. water temperature 40°C
 Standard cable length 10 m

Materials

Pump casing AISI 329
 Impeller AISI 329
 Motor unit AISI 329
 Shaft AISI 316
 Bolts AISI 316
 Elastomers Viton (FPM)
 Electrical cable Neoprene (CR)
 Seal lubrication Oil
 Seal pump side Silicon carbide – Silicon carbide - Viton
 Seal motor side Carbon - Ceramic

Installation options

Guide bar coupling OWK 080

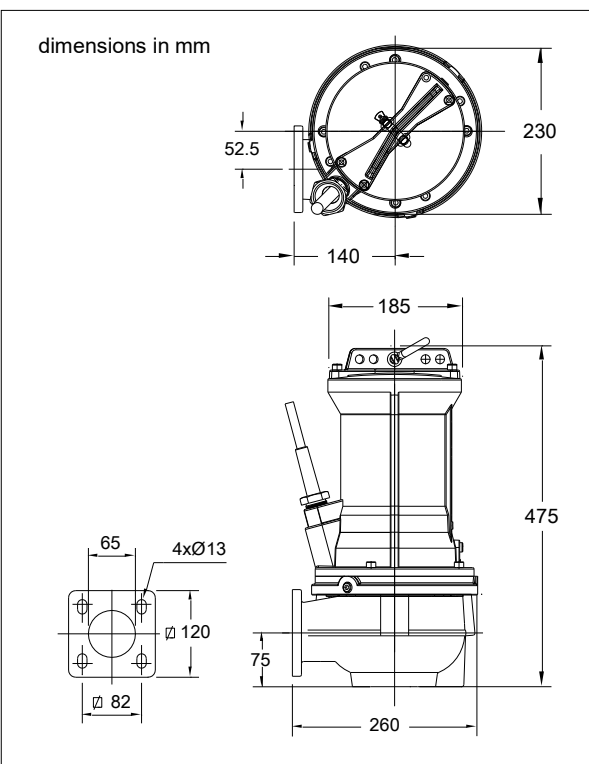
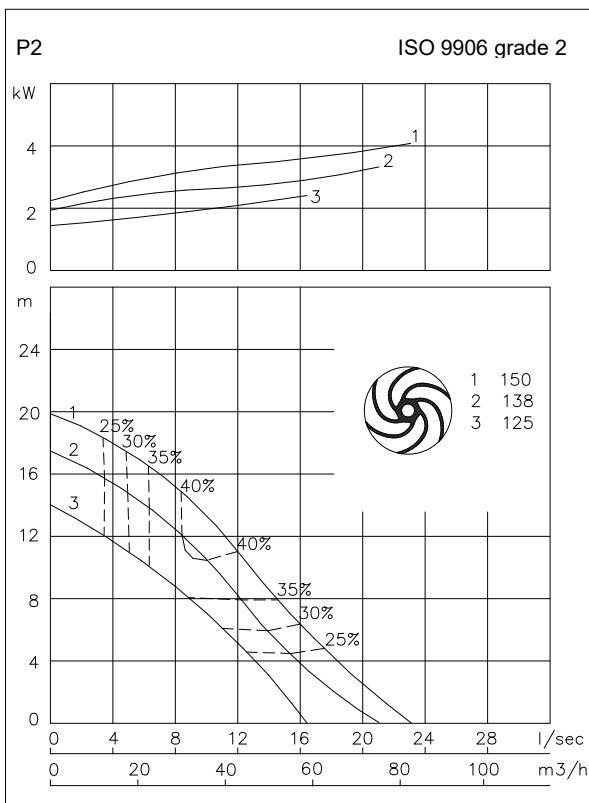


Freestanding 75 mm hose connection or
 Including support (VRS) G 3" threaded connection



Optional

- Flameproof version, to class: II 2 G Ex d IIB c T4
 Standard: II 2 G Ex b c d IIB T4 Gb
 With Frequency control: II 2 G Ex b c d IIB T3 Gb
- Thermo switches in stator windings (standard for flame proof version)
- Cable protective sheathing (AISI 316)
- Water detector in motor and oil chamber
 Flameproof version with external cable



Connections

voltage [V]*	current [A]	Electrical cable size [mm ²]		motor protection and/or water detector		flameproof version	
		direct start	stardelta start	direct start	stardelta start	direct start	stardelta start
230	14.8	4G1.5	7G1.5	7G1.5	10G1.5	7G1.5	10G1.5
400	8.5	4G1.5	7G1.5	7G1.5	10G1.5	7G1.5	10G1.5
500	6.8	4G1.5	7G1.5	7G1.5	10G1.5	7G1.5	10G1.5
starting current DOL start : 6.2 x rated current							
starting current YD start : 2.1 x rated current							
* other voltages on request							

Pump type: Submersible Duplex Pump

Application: Waste water, Seawater

Pump data

Solids passage 65 mm
 Discharge/ Suction diameter 67 mm (NW80)/ 72 mm
 Impeller type: Vortex
 Impeller diameter 175 - 145 mm
 Recommended min. flow 2 l/sec (8 m3/h)
 Weight 62 kg

Motor

Mains: 50 c/s – 3 phase
 Rated shaft power 1.5 kW
 Rated electrical power 2.1 kW
 Nominal speed 1420 rpm
 Motor efficiency 71 %
 Power factor (cos phi) 0.84
 Degree of protection IP 68
 Isolation class F (155°C)
 Max. water temperature 40°C
 Standard cable length 10 m

Materials

Pump casing AISI 329
 Impeller AISI 329
 Motor unit AISI 329
 Shaft AISI 316
 Bolts AISI 316
 Elastomers Viton (FPM)
 Electrical cable Neoprene (CR)
 Seal lubrication Oil
 Seal pump side Silicon carbide – Silicon carbide - Viton
 Seal motor side Carbon – Ceramic

Installation options

Guide bar coupling OWK 080

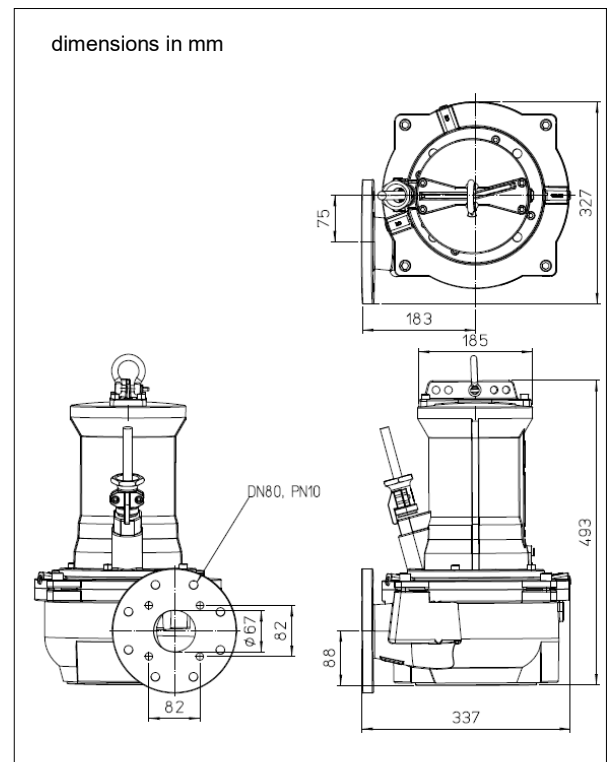
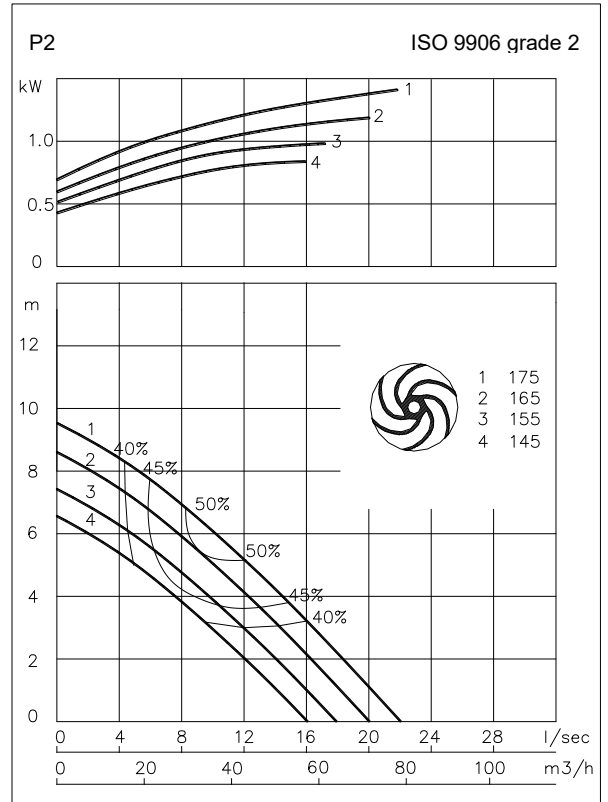


Freestanding 75 mm hose connection or
 Including support (VRS) G 3" threaded connection



Optional

- Flameproof version, to class: II 2 G Ex d IIB c T4
 Standard: II 2 G Ex b c d IIB T4 Gb
 With Frequency control: II 2 G Ex b c d IIB T3 Gb
- Thermo switches in stator windings (standard for flame proof version)
- Cable protective sheathing (AISI 316)
- Water detector in motor and oil chamber
 Flameproof version with external cable



Connections

voltage	current	Electrical cable size [mm ²]		motor protection and/or water detector		flameproof version	
		direct start		direct start		direct start	
230	6.3	4G2.5		7G1.5		7G1.5	
400	3.6	4G2.5		7G1.5		7G1.5	
500	2.9	4G2.5		7G1.5		7G1.5	
starting current DOL start : 4.8 x rated current							
* other voltages on request							

Pump type: Submersible Duplex Pump

Application: Waste water, Seawater

Pump data

Solids passage 65 mm
 Discharge/ Suction diameter 67 mm (NW80)/ 72 mm
 Impeller type: Vortex
 Impeller diameter 195 - 165 mm
 Recommended min. flow 2 l/sec (8 m³/h)
 Weight 62 kg

Motor

Mains: 50 c/s – 3 phase
 Rated shaft power 2.2 kW
 Rated electrical power 3.0 kW
 Nominal speed 1375 rpm
 Motor efficiency 71 %
 Power factor (cos phi) 0.89
 Degree of protection IP 68
 Isolation class F (155°C)
 Max. water temperature 40°C
 Standard cable length 10 m

Materials

Pump casing AISI 329
 Impeller AISI 329
 Motor unit AISI 329
 Shaft AISI 316
 Bolts AISI 316
 Elastomers Viton (FPM)
 Electrical cable Neoprene (CR)
 Seal lubrication Oil
 Seal pump side Silicon carbide – Silicon carbide - Viton
 Seal motor side Carbon – Ceramic

Installation options

Guide bar coupling OWK 080

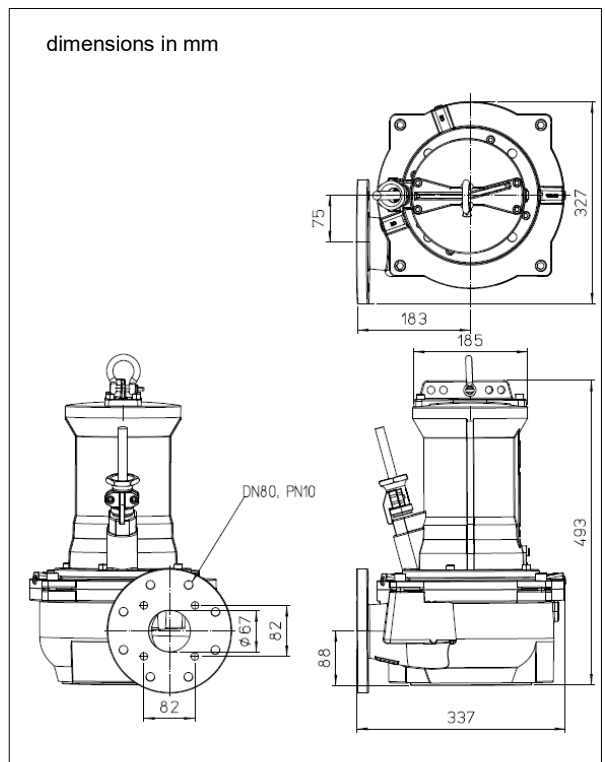
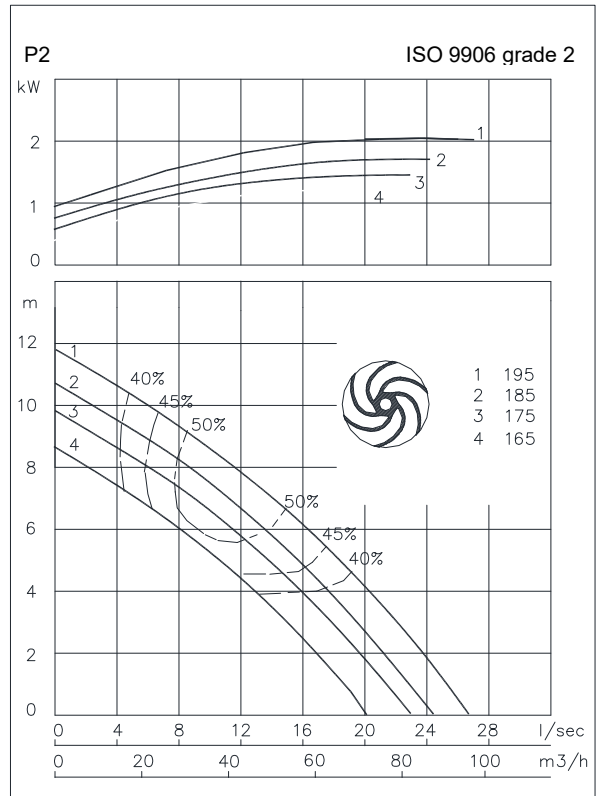


Freestanding 75 mm hose connection or
 Including support (VRS) G 3" threaded connection



Optional

- Flameproof version, to class: II 2 G Ex d IIB c T4
 Standard: II 2 G Ex b c d IIB T4 Gb
 With Frequency control: II 2 G Ex b c d IIB T3 Gb
- Thermo switches in stator windings
 (standard for flame proof version)
- Cable protective sheathing (AISI 316)
- Water detector in motor and oil chamber
 Flameproof version with external cable



Connections

voltage [V]*	current [A]	Electrical cable size [mm ²]		motor protection and/or water detector		flameproof version	
		direct start	stardelta start	direct start	stardelta start	direct start	stardelta start
230	8.7	4G2.5	7G1.5	7G1.5	10G1.5	7G1.5	10G1.5
400	5.0	4G2.5	7G1.5	7G1.5	10G1.5	7G1.5	10G1.5
500	4.0	4G2.5	7G1.5	7G1.5	10G1.5	7G1.5	10G1.5
starting current DOL start : 3.4 x rated current							
starting current YD start : 1.1 x rated current							
							* other voltages on request

Pump type: Submersible Duplex Pump

Application: Waste water, Seawater

Pump data

Solids passage 65 mm
 Discharge/ Suction diameter 67 mm (NW80)/ 72 mm
 Impeller type: Vortex
 Impeller diameter 210 - 190 mm
 Recommended min. flow 2 l/sec (8 m3/h)
 Weight 65 kg

Motor

Mains: 50 c/s – 3 phase
 Rated shaft power 3.5 kW
 Rated electrical power 4.5 kW
 Nominal speed 1385 rpm
 Motor efficiency 78 %
 Power factor (cos phi) 0.84
 Degree of protection IP 68
 Isolation class F (155°C)
 Max. water temperature 40°C
 Standard cable length 10 m

Materials

Pump casing AISI 329
 Impeller AISI 329
 Motor unit AISI 329
 Shaft AISI 316
 Bolts AISI 316
 Elastomers Viton (FPM)
 Electrical cable Neoprene (CR)
 Seal lubrication Oil
 Seal pump side Silicon carbide – Silicon carbide - Viton
 Seal motor side Carbon – Ceramic

Installation options

Guide bar coupling OWK 080

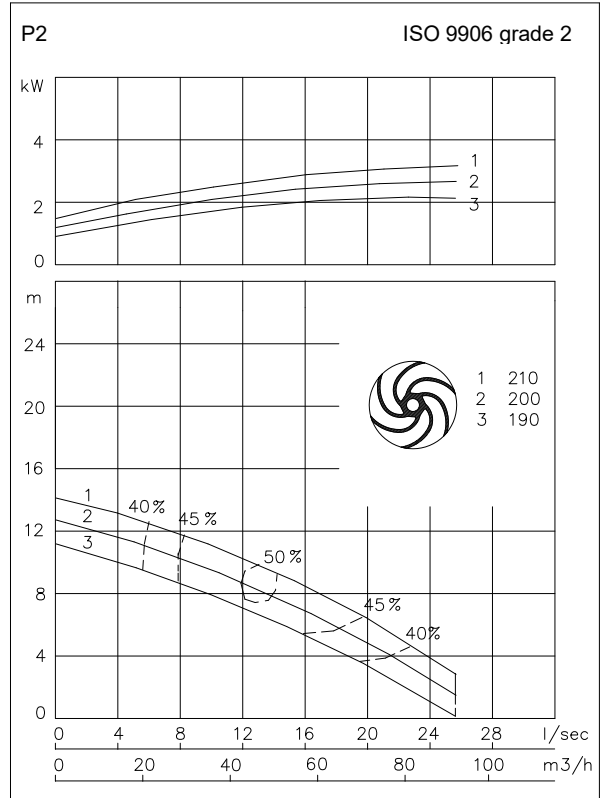


Freestanding 75 mm hose connection or
 Including support (VRS) G 3" threaded connection

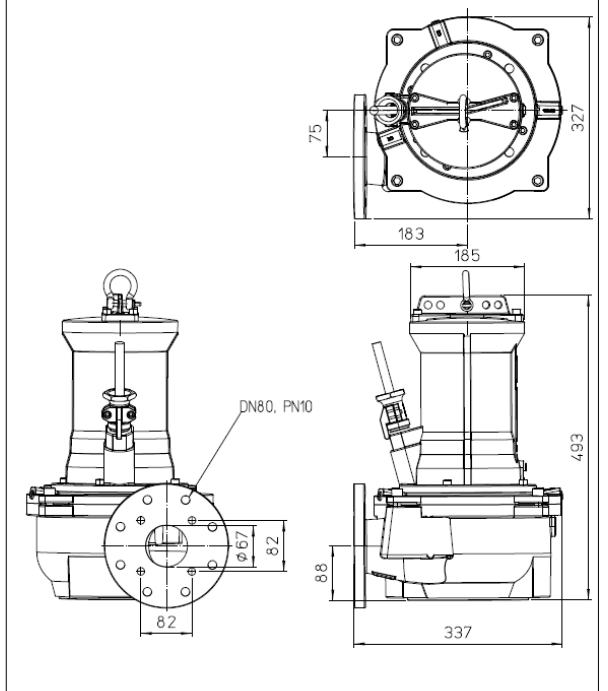


Optional

- Flameproof version, to class: II 2 G Ex d IIB c T4
 Standard: II 2 G Ex b c d IIB T4 Gb
 With Frequency control: II 2 G Ex b c d IIB T3 Gb
- Thermo switches in stator windings
 (standard for flame proof version)
- Cable protective sheathing (AISI 316)
- Water detector in motor and oil chamber
 Flameproof version with external cable



dimensions in mm



Connections

voltage	current	Electrical cable size [mm ²]		motor protection and/or water detector		flameproof version		
		direct start	stardelta start	direct start	stardelta start	direct start	stardelta start	
[V]*	[A]							
230	13.4	4G2.5	7G1.5	7G1.5	10G1.5	7G1.5	10G1.5	
400	7.7	4G2.5	7G1.5	7G1.5	10G1.5	7G1.5	10G1.5	
500	6.2	4G2.5	7G1.5	7G1.5	10G1.5	7G1.5	10G1.5	
starting current DOL start : 4.3 x rated current								
starting current YD start : 1.4 x rated current								
							* other voltages on request	

Pump type: Submersible Duplex Pump

Application: Waste water, Seawater

Pump data

Solids passage 100 mm
 Discharge/ Suction diameter 100 mm(NW100)/ 110 mm
 Impeller type: Vortex
 Impeller diameter 145 - 135 mm
 Recommended min. flow 6 l/sec (21 m³/h)
 Weight 65 kg

Motor

Mains: 50 c/s – 3 phase
 Rated shaft power 1.5 kW
 Rated electrical power 2.1 kW
 Nominal speed 1420 rpm
 Motor efficiency 71 %
 Power factor (cos phi) 0.84
 Degree of protection IP 68
 Isolation class F (155°C)
 Max. water temperature 40°C
 Standard cable length 10 m

Materials

Pump casing AISI 329
 Impeller AISI 329
 Motor unit AISI 329
 Shaft AISI 316
 Bolts AISI 316
 Elastomers Viton (FPM)
 Electrical cable Neoprene (CR)
 Seal lubrication Oil
 Seal pump side Silicon carbide – Silicon carbide - Viton
 Seal motor side Carbon – Ceramic

Installation options

Guide bar coupling OWK 100

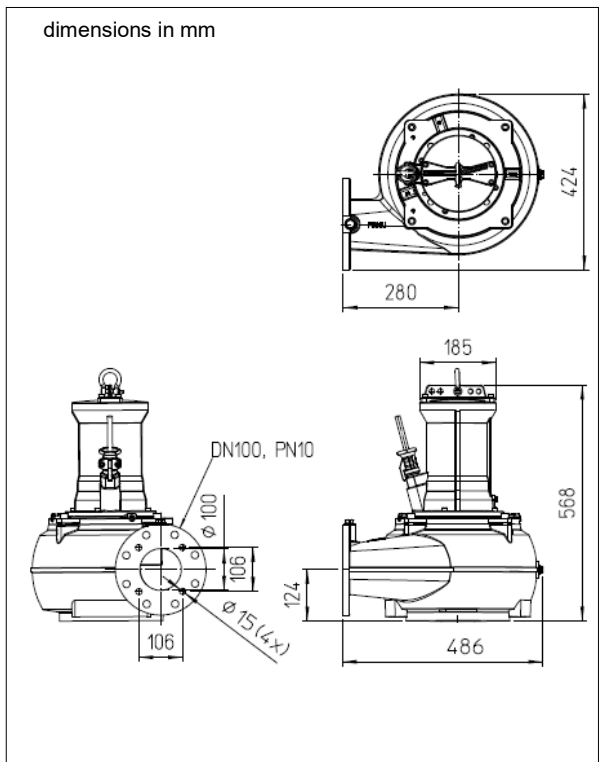
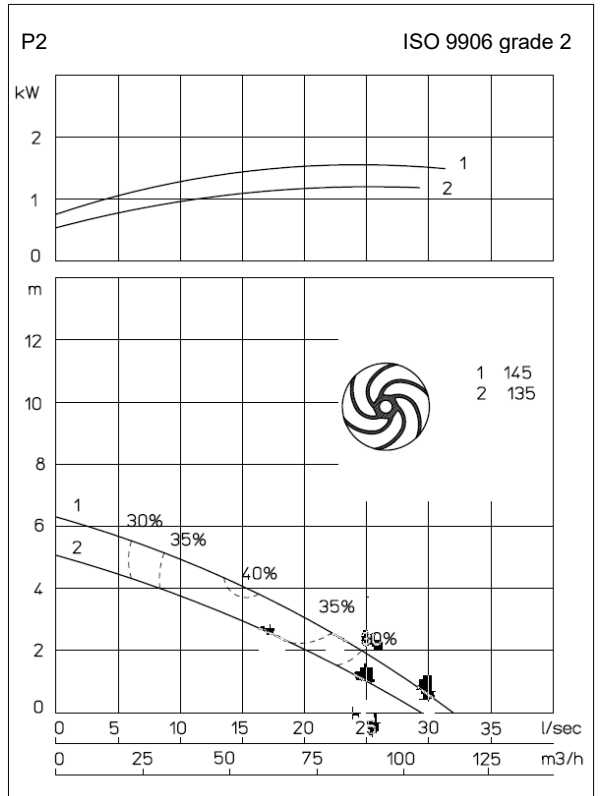


Freestanding 100 mm hose connection or
 Including support (VRS) G 4" threaded connection



Optional

- Flameproof version, to class: II 2 G Ex d IIB c T4
 Standard: II 2 G Ex b c d IIB T4 Gb
 With Frequency control: II 2 G Ex b c d IIB T3 Gb
- Thermo switches in stator windings
 (standard for flame proof version)
- Cable protective sheathing (AISI 316)
- Water detector in motor and oil chamber
 Flameproof version with external cable



Connections

voltage	current	Electrical cable size [mm ²]		motor protection and/or water detector		flameproof version		
		direct start		direct start		direct start		
230	6.3	4G1.5		7G1.5		7G1.5		
400	3.6	4G1.5		7G1.5		7G1.5		
500	2.9	4G1.5		7G1.5		7G1.5		
starting current DOL start : 4.8 x rated current								
							* other voltages on request	

Pump type: Submersible Duplex pump

Application: Waste water, Seawater

Pump data

Solids passage 100 mm
 Discharge/ Suction diameter 100 mm (NW100)/ 110 mm
 Impeller type: Vortex
 Impeller diameter 165 - 145 mm
 Recommended min. flow 6 l/sec (21 m3/h)
 Weight 80 kg

Motor

Mains: 50 c/s – 3 phase
 Rated shaft power 2.2 kW
 Rated electrical power 3.0 kW
 Nominal speed 1375 rpm
 Motor efficiency 71 %
 Power factor (cos phi) 0.89
 Degree of protection IP 68
 Isolation class F (155°C)
 Max. water temperature 40°C
 Standard cable length 10 m

Materials

Pump casing AISI 329
 Impeller AISI 329
 Motor unit AISI 329
 Shaft AISI 316
 Bolts AISI 316
 Elastomers Viton (FPM)
 Electrical cable Neoprene (CR)
 Seal lubrication Oil
 Seal pump side Silicon carbide – Silicon carbide - Viton
 Seal motor side Carbon - Ceramic

Installation options

Guide bar coupling OWK 100

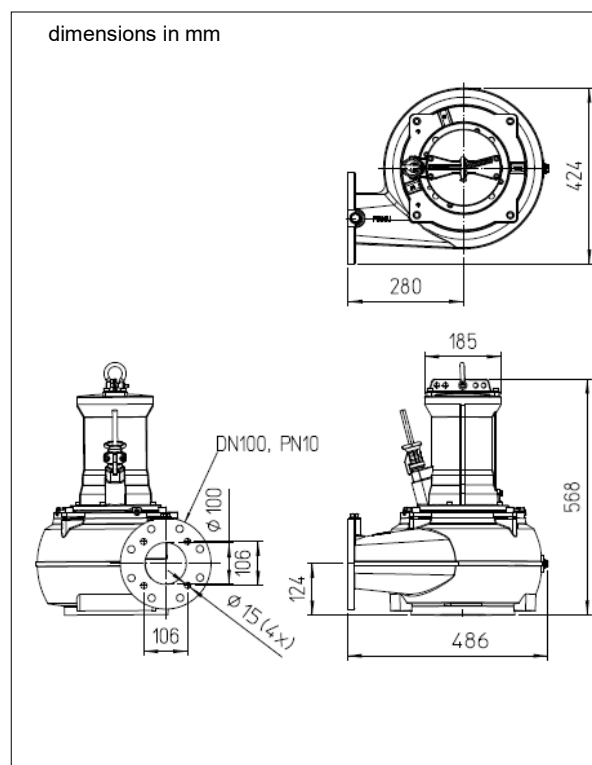
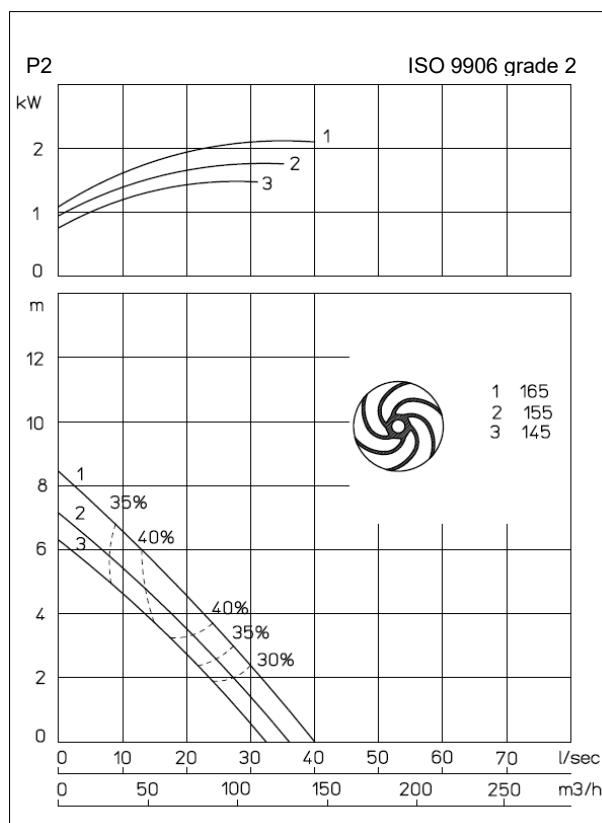


Freestanding 100 mm hose connection or
 Including support (VRS) G 4" threaded connection



Optional

- Flameproof version, to class: II 2 G Ex d IIB c T4 Standard: II 2 G Ex b c d IIB T4 Gb
 With Frequency control: II 2 G Ex b c d IIB T3 Gb
- Thermo switches in stator windings (standard for flame proof version)
- Cable protective sheathing (AISI 316)
- Water detector in motor and oil chamber
 Flameproof version with external cable



Connections

voltage	current	Electrical cable size [mm ²]		motor protection and/or water detector		flameproof version	
		direct start	stardelta start	direct start	stardelta start	direct start	stardelta start
230	8.7	4G2.5	7G1.5	7G1.5	10G1.5	7G1.5	10G1.5
400	5.0	4G2.5	7G1.5	7G1.5	10G1.5	7G1.5	10G1.5
500	4.0	4G2.5	7G1.5	7G1.5	10G1.5	7G1.5	10G1.5
starting current DOL start : 3.4 x rated current							
starting current YD start : 1.1 x rated current							

Pump type: Submersible Duplex Pump

Application: Waste water, Seawater

Pump data

Solids passage 100 mm
 Discharge/ Suction diameter 100 mm(NW100)/ 110 mm
 Impeller type: Vortex
 Impeller diameter 195 - 165 mm
 Recommended min. flow 6 l/sec (21 m3/h)
 Weight 80 kg

Motor

Mains: 50 c/s – 3 phase
 Rated shaft power 3.5 kW
 Rated electrical power 4.5 kW
 Nominal speed 1385 rpm
 Motor efficiency 78 %
 Power factor (cos phi) 0.84
 Degree of protection IP 68
 Isolation class F (155°C)
 Max. water temperature 40°C
 Standard cable length 10 m

Materials

Pump casing AISI 329
 Impeller AISI 329
 Motor unit AISI 329
 Shaft AISI 316
 Bolts AISI 316
 Elastomers Viton (FPM)
 Electrical cable Neoprene (CR)
 Seal lubrication Oil
 Seal pump side Silicon carbide – Silicon carbide - Viton
 Seal motor side Carbon – Ceramic

Installation options

Guide bar coupling OWK 100

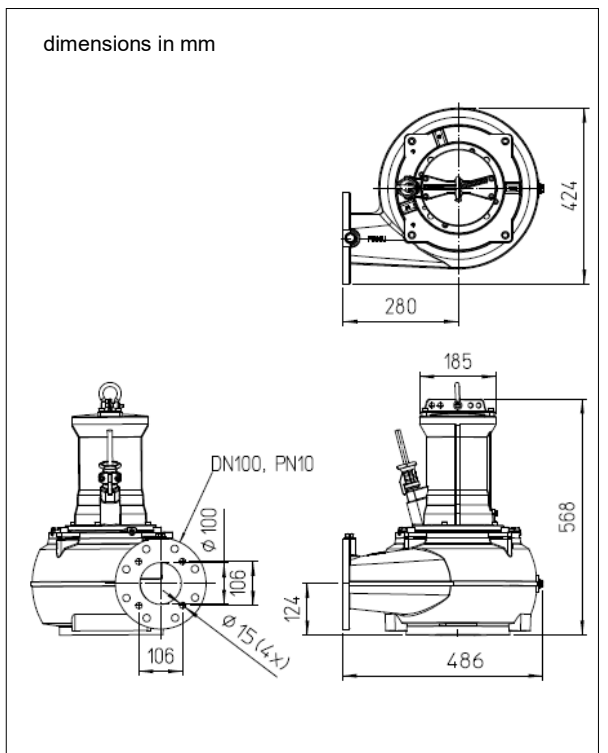
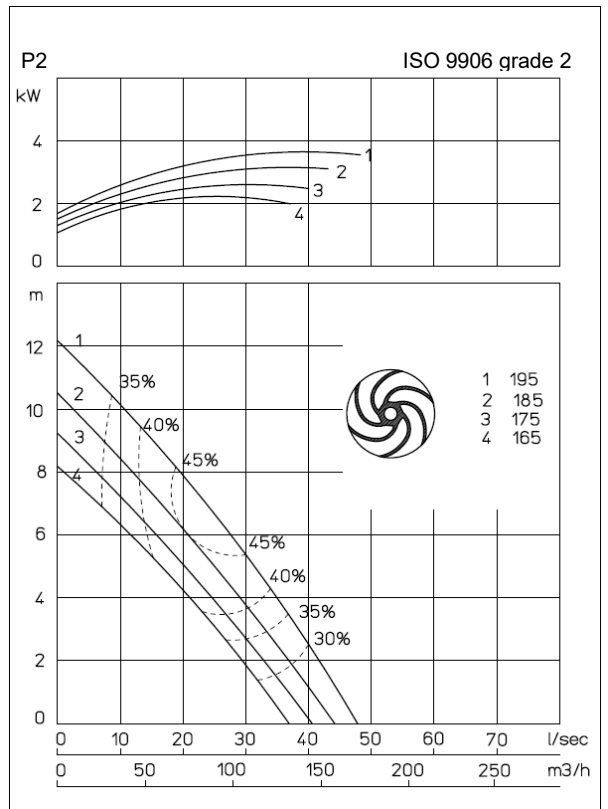


Freestanding 100 mm hose connection or
 Including support (VRS) G 4" threaded connection



Optional

- Flameproof version, to class: II 2 G Ex d IIB c T4
 Standard: II 2 G Ex b c d IIB T4 Gb
 With Frequency control: II 2 G Ex b c d IIB T3 Gb
- Thermo switches in stator windings (standard for flame proof version)
- Cable protective sheathing (AISI 316)
- Water detector in motor and oil chamber
 Flameproof version with external cable



Connections

voltage	current	Electrical cable size [mm²]		motor protection and/or water detector		flameproof version	
		direct start	stardelta start	direct start	stardelta start	direct start	stardelta start
230	13.4	4G2.5	7G1.5	7G1.5	10G1.5	7G1.5	10G1.5
400	7.7	4G2.5	7G1.5	7G1.5	10G1.5	7G1.5	10G1.5
500	6.2	4G2.5	7G1.5	7G1.5	10G1.5	7G1.5	10G1.5
starting current DOL start : 4.3 x rated current							
starting current YD start : 1.4 x rated current				* other voltages on request			