

Pump type: Submersible Duplex pump  
 Application: Waste water, Seawater

### Pump data

Solids passage 65 mm  
 Discharge/ Suction diameter 67 mm (NW80)/ 72 mm  
 Impeller type: Vortex  
 Impeller diameter 160 - 140 mm  
 Recommended min. flow 2 l/sec (8 m3/h)  
 Weight 95 kg

### Motor

Mains: 50 c/s – 3 phase  
 Rated shaft power 5.0 kW  
 Rated electrical power 6.1 kW  
 Nominal speed 2790 rpm  
 Motor efficiency 82 %  
 Power factor (cos phi) 0.90  
 Degree of protection IP 68  
 Isolation class F (155°C)  
 Max. water temperature 40°C  
 Standard cable length 10 m

### Materials

Pump casing AISI 329  
 Impeller AISI 329  
 Motor unit AISI 329  
 Shaft AISI 316  
 Bolts AISI 316  
 Elastomers Viton (FPM)  
 Electrical cable Neoprene (CR)  
 Seal lubrication Oil  
 Seal pump side Silicon carbide – Silicon carbide - Viton  
 Seal motor side Carbon – Ceramic

### Installation options

Guide bar coupling OWK 080

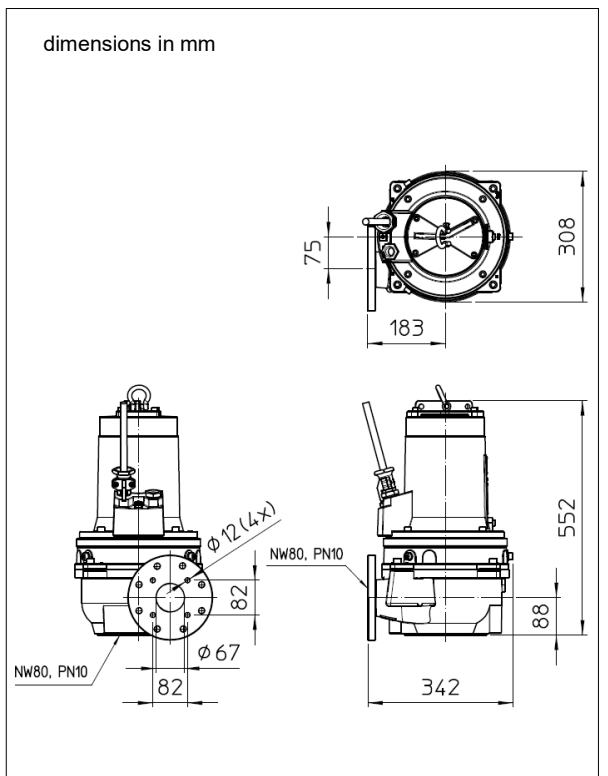
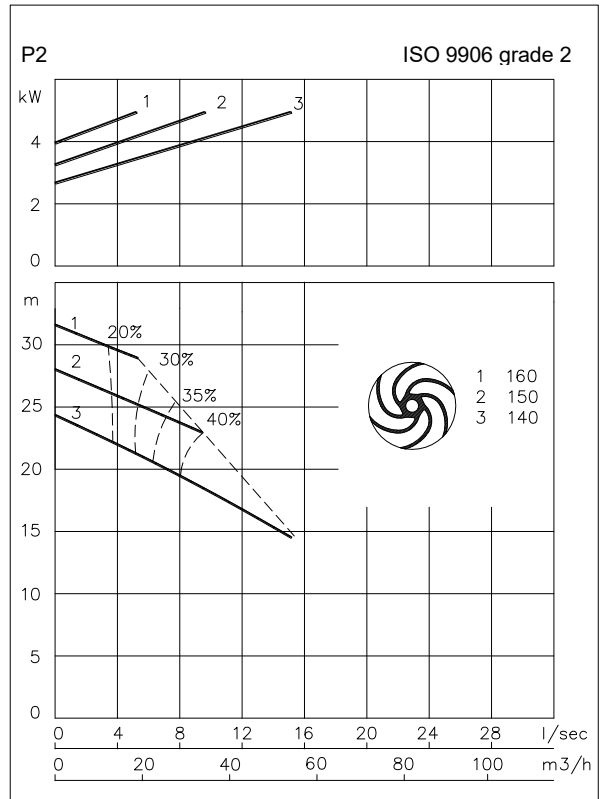


Freestanding Including support (VRS) 75 mm hose connection or G 3" threaded connection



### Optional

- Flameproof version, to class: II 2 G Ex d IIB c T4  
 Standard: II 2 G Ex b c d IIB T4 Gb  
 With Frequency control: II 2 G Ex b c d IIB T3 Gb
- Thermoswitches in stator windings (standard for flame proof version)
- Cable protective sheathing (AISI 316)
- Water detector in motor and oil chamber  
 Flameproof version with external cable



### Connections

voltage	current	Electrical cable size [mm <sup>2</sup> ]		motor protection and/or water detector		flameproof version	
		direct start	stardelta start	direct start	stardelta start	direct start	stardelta start
[V]*	[A]						
230	17.0	4G2.5	7G1.5	7G1.5	10G1.5	7G1.5	10G1.5
400	9.8	4G2.5	7G1.5	7G1.5	10G1.5	7G1.5	10G1.5
500	7.8	4G2.5	7G1.5	7G1.5	10G1.5	7G1.5	10G1.5
starting current DOL start : 6.2 x rated current							
starting current YD start : 2.1 x rated current							
							* other voltages on request

Pump type: Submersible Duplex pump  
 Application: Waste water, Seawater

### Pump data

Solids passage: 65 mm  
 Discharge/ Suction diameter: 67 mm (NW80)/ 72 mm  
 Impeller type: Vortex  
 Impeller diameter: 190 - 150 mm  
 Recommended min. flow: 2 l/sec (8 m3/h)  
 Weight: 115 kg

### Motor

Mains: 50 c/s – 3 phase  
 Rated shaft power: 9.0 kW  
 Rated electrical power: 10.6 kW  
 Nominal speed: 2900 rpm  
 Motor efficiency: 85 %  
 Power factor (cos phi): 0.89  
 Degree of protection: IP 68  
 Isolation class: F (155°C)  
 Max. water temperature: 40°C  
 Standard cable length: 10 m

### Materials

Pump casing: AISI 329  
 Impeller: AISI 329  
 Motor unit: AISI 329  
 Shaft: AISI 316  
 Bolts: AISI 316  
 Elastomers: Viton (FPM)  
 Electrical cable: Neoprene (CR)  
 Seal lubrication: Oil  
 Seal pump side: Silicon carbide – Silicon carbide - Viton  
 Seal motor side: Carbon – Ceramic

### Installation options

Guide bar coupling: OWK 080

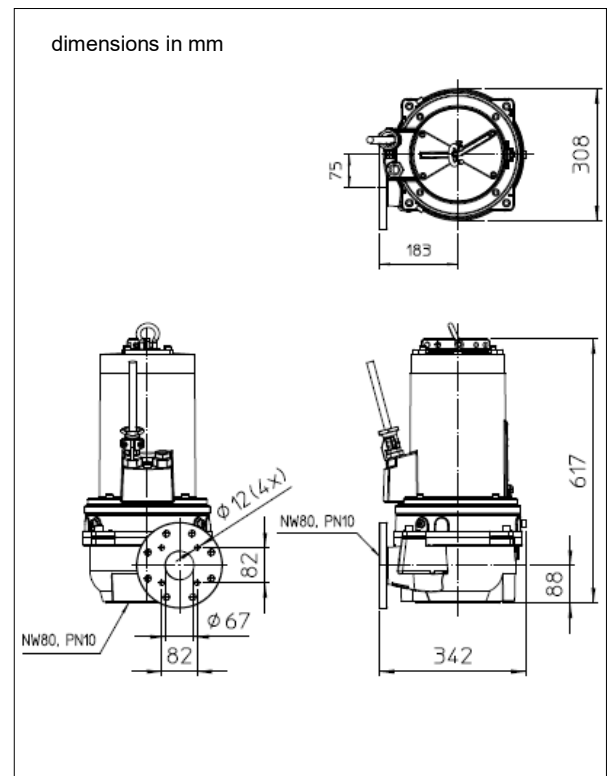
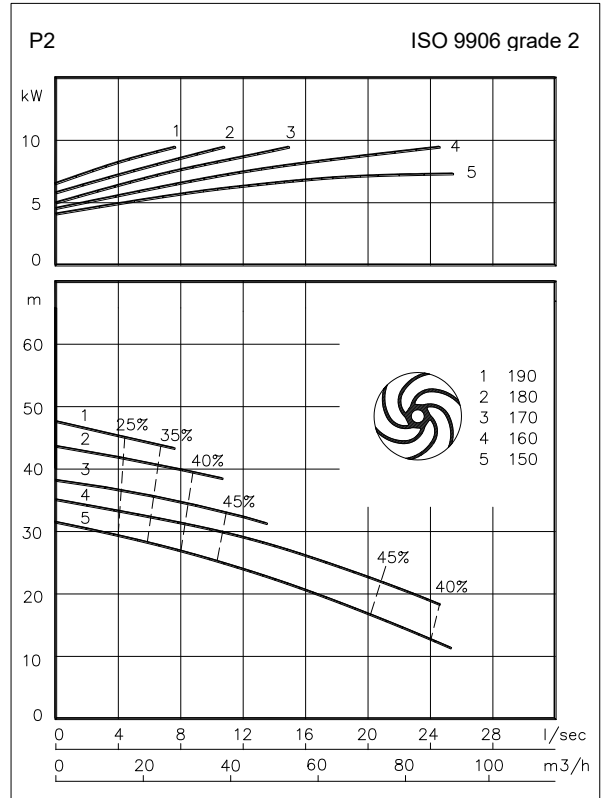


Freestanding: 75 mm hose connection or  
 Including support (VRS): G 3" threaded connection



### Optional

- Flameproof version, to class: II 2 G Ex d IIB c T4  
 Standard: II 2 G Ex b c d IIB T4 Gb  
 With Frequency control: II 2 G Ex b c d IIB T3 Gb
- Thermo switches in stator windings (standard for flame proof version)
- Cable protective sheathing (AISI 316)
- Water detector in motor and oil chamber  
 Flameproof version with external cable



### Connections

voltage [V]*	current [A]	Electrical cable size [mm <sup>2</sup> ]		motor protection and/or water detector		flameproof version	
		direct start	stardelta start	direct start	stardelta start	direct start	stardelta start
230	29.9	4G6	7G2.5	4G6 + 4G1.5	7G2.5 + 4G1.5	4G6 + 4G2.5	7G2.5 + 4G2.5
400	17.2	4G2.5	7G1.5	7G2.5	10G1.5	7G2.5	10G1.5
500	13.7	4G2.5	7G1.5	7G1.5	10G1.5	7G1.5	10G1.5
starting current DOL start : 6.3 x rated current							
starting current YD start : 2.1 x rated current							

\* other voltages on request

Pump type: Submersible Duplex pump  
 Application: Waste water, Seawater

### Pump data

Solids passage 65 mm  
 Discharge/ Suction diameter 67 mm (NW80)/ 72 mm  
 Impeller type: Vortex  
 Impeller diameter 210 - 170 mm  
 Recommended min. flow 2 l/sec (8 m3/h)  
 Weight 120 kg

### Motor

Mains: 50 c/s – 3 phase  
 Rated shaft power 13.0 kW  
 Rated electrical power 14.5 kW  
 Nominal speed 2915 rpm  
 Motor efficiency 90 %  
 Power factor (cos phi) 0.87  
 Degree of protection IP 68  
 Isolation class F (155°C)  
 Max. water temperature 40°C  
 Standard cable length 10 m

### Materials

Pump casing AISI 329  
 Impeller AISI 329  
 Motor unit AISI 329  
 Shaft AISI 316  
 Bolts AISI 316  
 Elastomers Viton (FPM)  
 Electrical cable Neoprene (CR)  
 Seal lubrication Oil  
 Seal pump side Silicon carbide – Silicon carbide - Viton  
 Seal motor side Carbon – Ceramic

### Installation options

Guide bar coupling OWK 080

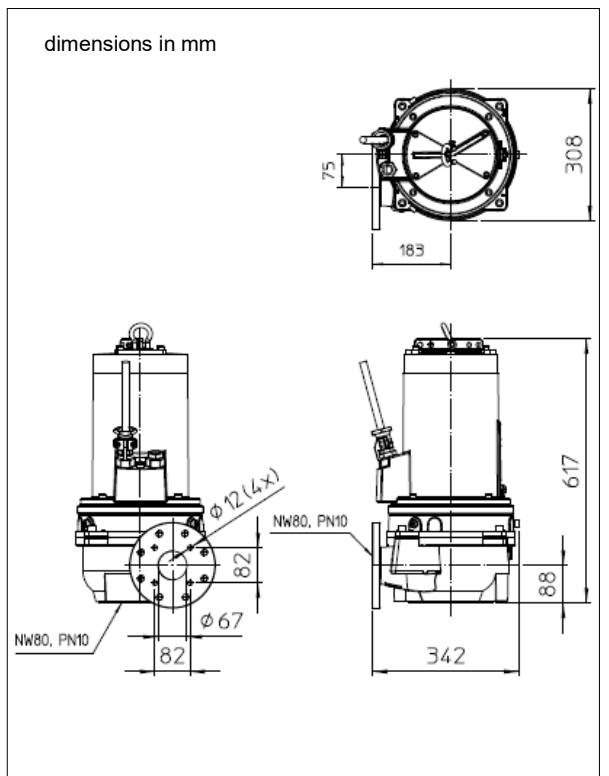
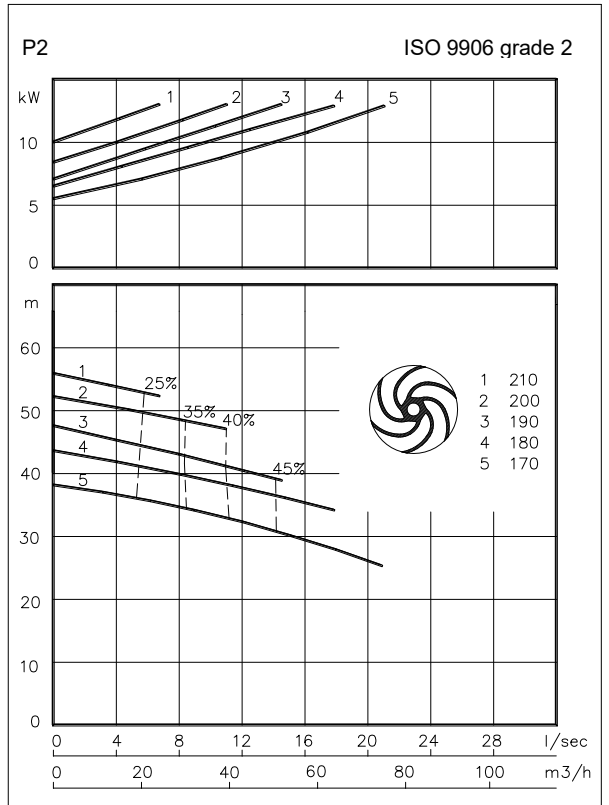


Freestanding 75 mm hose connection or  
 Including support (VRS) G 3" threaded connection



### Optional

- Flameproof version, to class: II 2 G Ex d IIB c T4  
 Standard: II 2 G Ex b c d IIB T4 Gb  
 With Frequency control: II 2 G Ex b c d IIB T3 Gb
- Thermo switches in stator windings  
 (standard for flame proof version)
- Cable protective sheathing (AISI 316)
- Water detector in motor and oil chamber  
 Flameproof version with external cable



### Connections

voltage	current	Electrical cable size [mm <sup>2</sup> ]		motor protection and/or water detector		flameproof version	
		direct start	stardelta start	direct start	stardelta start	direct start	stardelta start
230	42.1	4G10	2x4G6	4G10 + 4G1.5	-	4G10 + 4G2.5	-
400	24.2	4G6	7G1.5	4G6 + 4G1.5	10G1.5	4G6 + 4G2.5	10G1.5
500	19.3	4G2.5	7G1.5	7G2.5	10G1.5	7G2.5	10G1.5
starting current DOL start : 7.8 x rated current							
starting current YD start : 2.6 x rated current							
							* other voltages on request

Pump type: Submersible Duplex pump  
 Application: Waste water, Seawater

### Pump data

Solids passage: 65 mm  
 Discharge/ Suction diameter: 67 mm (NW80)/ 72 mm  
 Impeller type: Vortex  
 Impeller diameter: 225 - 205 mm  
 Recommended min. flow: 2 l/sec (8 m3/h)  
 Weight: 105 kg

### Motor

Mains: 50 c/s – 3 phase  
 Rated shaft power: 5.0 kW  
 Rated electrical power: 6.3 kW  
 Nominal speed: 1420 rpm  
 Motor efficiency: 79 %  
 Power factor (cos phi): 0.82  
 Degree of protection: IP 68  
 Isolation class: F (155°C)  
 Max. water temperature: 40°C  
 Standard cable length: 10 m

### Materials

Pump casing: AISI 329  
 Impeller: AISI 329  
 Motor unit: AISI 329  
 Shaft: AISI 316  
 Bolts: AISI 316  
 Elastomers: Viton (FPM)  
 Electrical cable: Neoprene (CR)  
 Seal lubrication: Oil  
 Seal pump side: Silicon carbide – Silicon carbide - Viton  
 Seal motor side: Carbon – Ceramic

### Installation options

Guide bar coupling: OWK 080

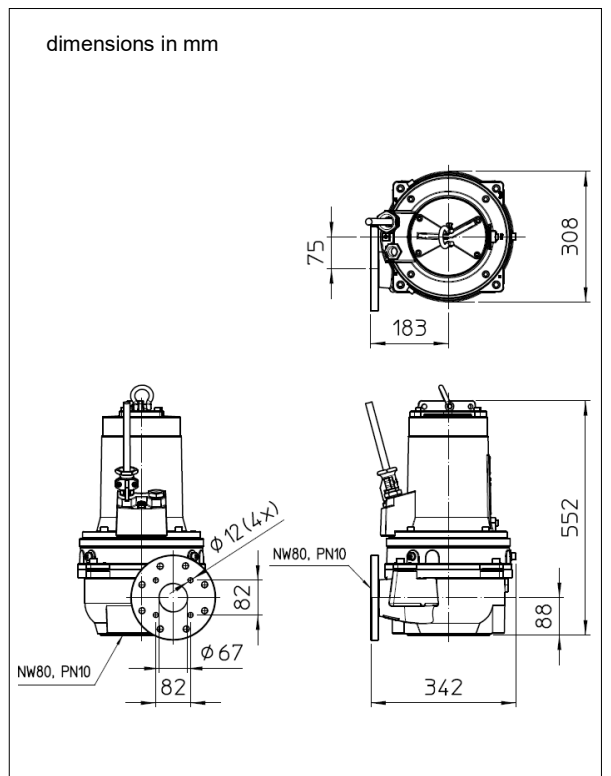
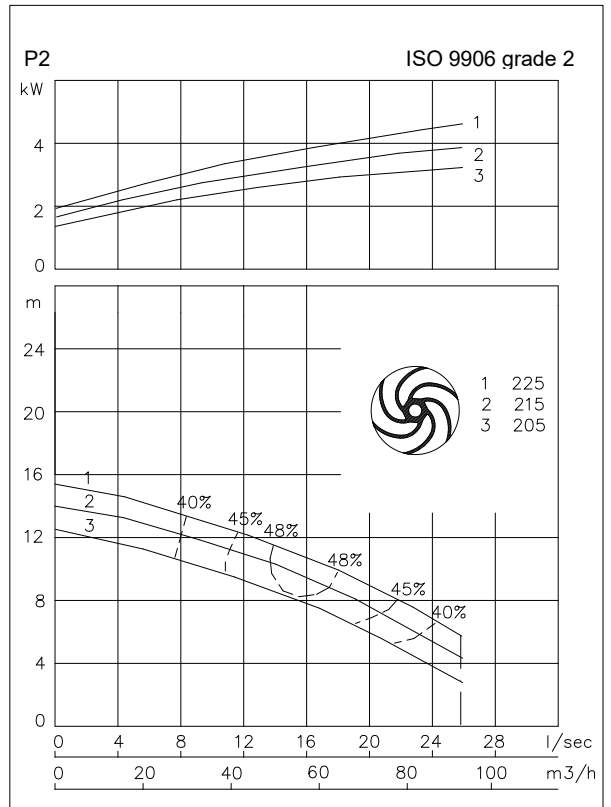


Freestanding: 75 mm hose connection or  
 Including support (VRS): G 3" threaded connection



### Optional

- Flameproof version, to class: II 2 G Ex d IIB c T4  
 Standard: II 2 G Ex b c d IIB T4 Gb  
 With Frequency control: II 2 G Ex b c d IIB T3 Gb
- Thermo switches in stator windings  
 (standard for flame proof version)
- Cable protective sheathing (AISI 316)
- Water detector in motor and oil chamber  
 Flameproof version with external cable



### Connections

voltage	current	Electrical cable size [mm <sup>2</sup> ]		motor protection and/or water detector		flameproof version		
		direct start	stardelta start	direct start	stardelta start	direct start	stardelta start	
230	19.5	4G2.5	7G1.5	7G2.5	10G1.5	7G2.5	10G1.5	
400	11.2	4G2.5	7G1.5	7G1.5	10G1.5	7G1.5	10G1.5	
500	9.0	4G2.5	7G1.5	7G1.5	10G1.5	7G1.5	10G1.5	
starting current DOL start : 5.0 x rated current								
starting current YD start : 1.7 x rated current								
							* other voltages on request	

Pump type: Submersible Duplex pump  
 Application: Waste water, Seawater

### Pump data

Solids passage 65 mm  
 Discharge/ Suction diameter 67 mm (NW80)/ 72 mm  
 Impeller type: Vortex  
 Impeller diameter 155 - 125 mm  
 Recommended min. flow 2 l/sec (8 m3/h)  
 Weight 95 kg

### Motor

Mains: 50 c/s – 3 phase  
 Rated shaft power 5.0 kW  
 Rated electrical power 6.1 kW  
 Nominal speed 2790 rpm  
 Motor efficiency 82 %  
 Power factor (cos phi) 0.90  
 Degree of protection IP 68  
 Isolation class F (155°C)  
 Max. water temperature 40°C  
 Standard cable length 10 m

### Materials

Pump casing AISI 329  
 Impeller AISI 329  
 Motor unit AISI 329  
 Shaft AISI 316  
 Bolts AISI 316  
 Elastomers Viton (FPM)  
 Electrical cable Neoprene (CR)  
 Seal lubrication Oil  
 Seal pump side Silicon carbide – Silicon carbide - Viton  
 Seal motor side Carbon – Ceramic

### Installation options

Guide bar coupling OWK 080

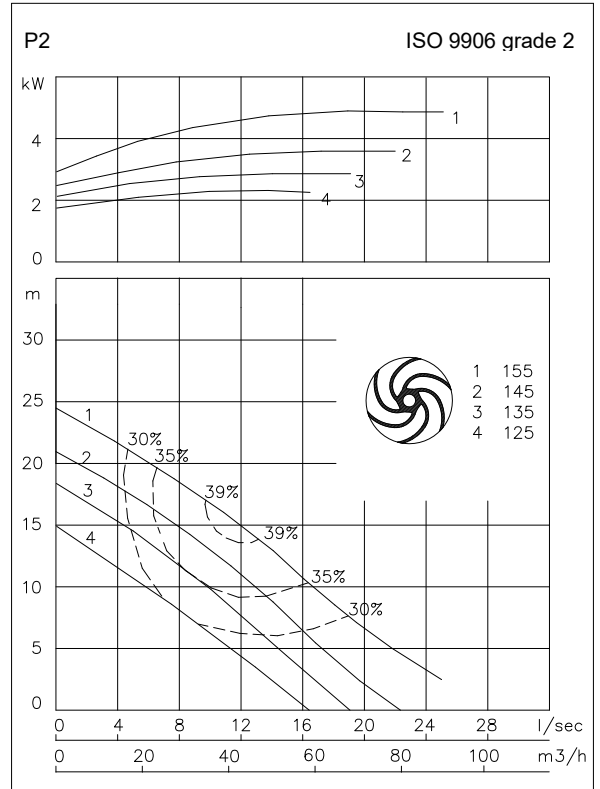


Freestanding 75 mm hose connection or  
 Including support (VRS) G 3" threaded connection

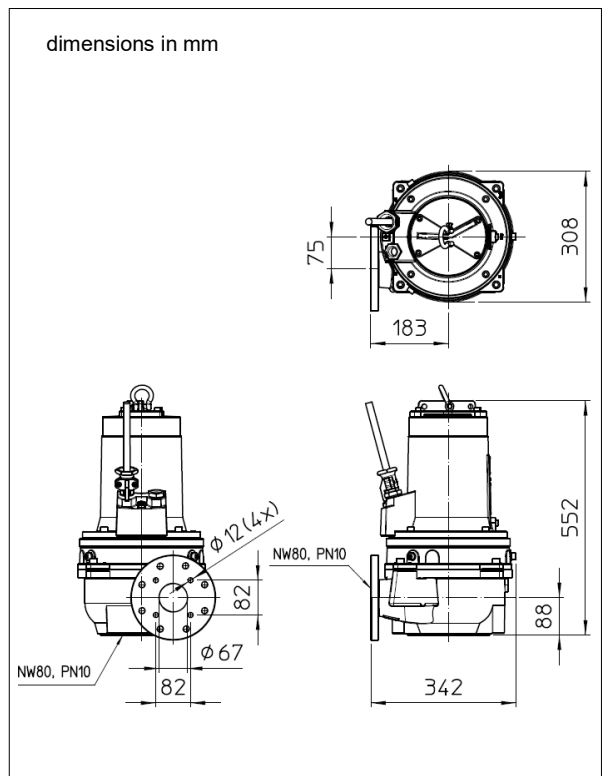


### Optional

- Flameproof version, to class: II 2 G Ex d IIB c T4  
 Standard: II 2 G Ex b c d IIB T4 Gb  
 With Frequency control: II 2 G Ex b c d IIB T3 Gb
- Thermoswitches in stator windings  
 (standard for flame proof version)
- Cable protective sheathing (AISI 316)
- Water detector in motor and oil chamber  
 Flameproof version with external cable



### dimensions in mm



### Connections

voltage	current	Electrical cable size [mm <sup>2</sup> ]		motor protection and/or water detector		flameproof version	
		direct start	stardelta start	direct start	stardelta start	direct start	stardelta start
[V]*	[A]						
230	17.0	4G2.5	7G1.5	7G2.5	10G1.5	7G2.5	10G1.5
400	9.8	4G2.5	7G1.5	7G1.5	10G1.5	7G1.5	10G1.5
500	7.8	4G2.5	7G1.5	7G1.5	10G1.5	7G1.5	10G1.5
starting current DOL start : 6.2 x rated current							
starting current YD start : 2.1 x rated current							
							* other voltages on request

Pump type: Submersible Duplex Pump

Application: Waste water, Seawater

### Pump data

Solids passage 65 mm  
 Discharge/ Suction diameter 67 mm (NW80)/ 72 mm  
 Impeller type: Vortex  
 Impeller diameter 170 - 150 mm  
 Recommended min. flow 2 l/sec (8 m3/h)  
 Weight 115 kg

### Motor

Mains: 50 c/s – 3 phase  
 Rated shaft power 9.0 kW  
 Rated electrical power 10.6 kW  
 Nominal speed 2900 rpm  
 Motor efficiency 85 %  
 Power factor (cos phi) 0.89  
 Degree of protection IP 68  
 Isolation class F (155°C)  
 Max. water temperature 40°C  
 Standard cable length 10 m

### Materials

Pump casing AISI 329  
 Impeller AISI 329  
 Motor unit AISI 329  
 Shaft AISI 316  
 Bolts AISI 316  
 Elastomers Viton (FPM)  
 Electrical cable Neoprene (CR)  
 Seal lubrication Oil  
 Seal pump side Silicon carbide – Silicon carbide - Viton  
 Seal motor side Carbon – Ceramic

### Installation options

Guide bar coupling OWK 080

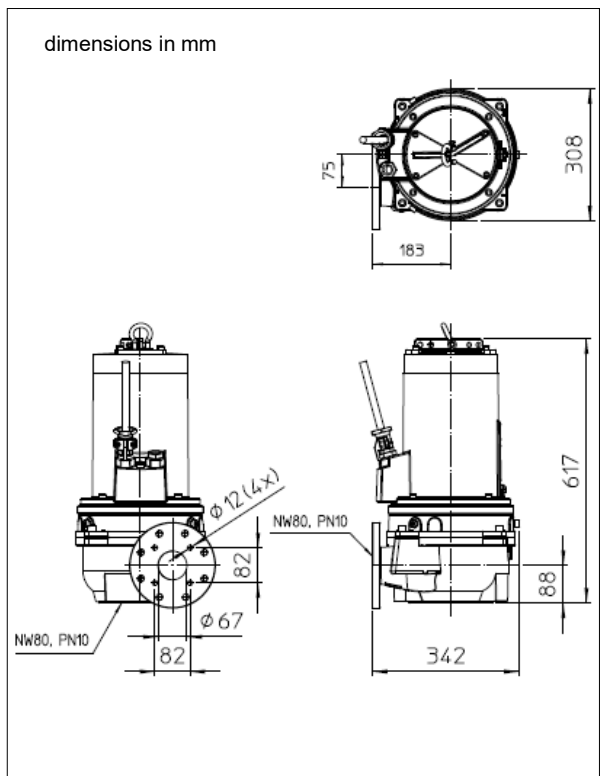
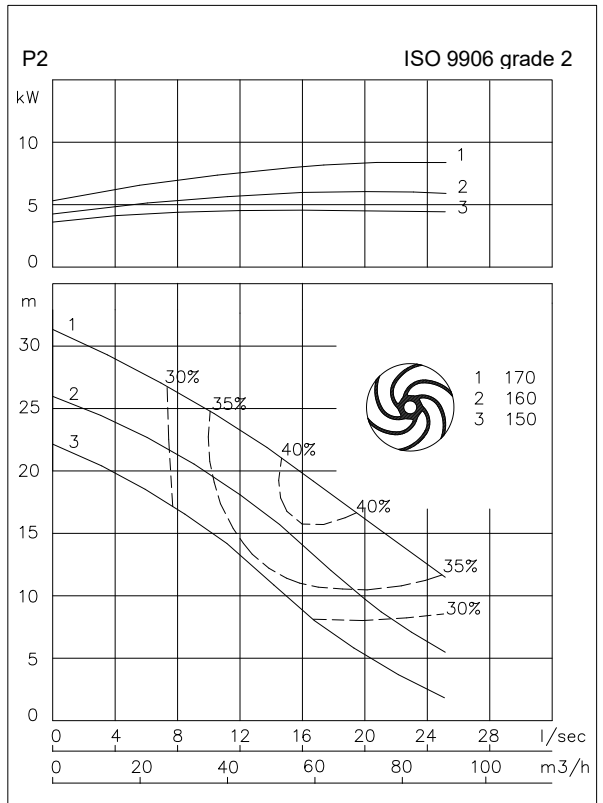


Freestanding 75 mm hose connection or  
 Including support (VRS) G 3" threaded connection



### Optional

- Flameproof version, to class: II 2 G Ex d IIB c T4  
 Standard: II 2 G Ex b c d IIB T4 Gb  
 With Frequency control: II 2 G Ex b c d IIB T3 Gb
- Thermo switches in stator windings  
 (standard for flame proof version)
- Cable protective sheathing (AISI 316)
- Water detector in motor and oil chamber  
 Flameproof version with external cable



### Connections

voltage	current	Electrical cable size [mm <sup>2</sup> ]		motor protection and/or water detector		flameproof version		
		direct start	stardelta start	direct start	stardelta start	direct start	stardelta start	
230	29.9	4G6	7G2.5	4G6 + 4G1.5	7G2.5 + 4G1.5	4G6 + 4G2.5	7G2.5 + 4G2.5	
400	17.2	4G2.5	7G1.5	7G2.5	10G1.5	7G2.5	10G1.5	
500	13.7	4G2.5	7G1.5	7G1.5	10G1.5	7G1.5	10G1.5	
starting current DOL start : 6.3 x rated current								
starting current YD start : 2.1 x rated current								
							* other voltages on request	

Pump type: Submersible Duplex Pump  
 Application: Waste water, Seawater

### Pump data

Solids passage: 65 mm  
 Discharge/ Suction diameter: 67 mm (NW80)/ 72 mm  
 Impeller type: Vortex  
 Impeller diameter: 178 - 150 mm  
 Recommended min. flow: 2 l/sec (8 m3/h)  
 Weight: 120 kg

### Motor

Mains: 50 c/s – 3 phase  
 Rated shaft power: 13.0 kW  
 Rated electrical power: 14.5 kW  
 Nominal speed: 2915 rpm  
 Motor efficiency: 90 %  
 Power factor (cos phi): 0.87  
 Degree of protection: IP 68  
 Isolation class: F (155°C)  
 Max. water temperature: 40°C  
 Standard cable length: 10 m

### Materials

Pump casing: AISI 329  
 Impeller: AISI 329  
 Motor unit: AISI 329  
 Shaft: AISI 316  
 Bolts: AISI 316  
 Elastomers: Viton (FPM)  
 Electrical cable: Neoprene (CR)  
 Seal lubrication: Oil  
 Seal pump side: Silicon carbide – Silicon carbide - Viton  
 Seal motor side: Carbon - Ceramic

### Installation options

Guide bar coupling: OWK 080

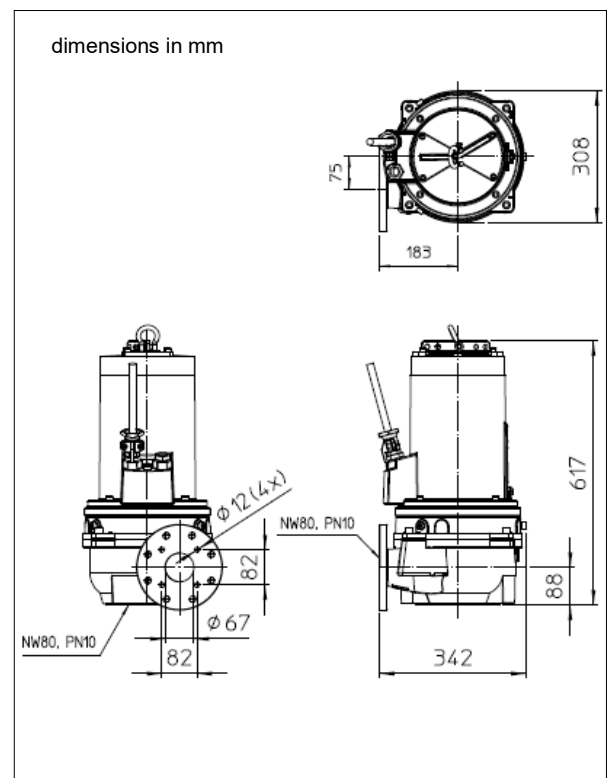
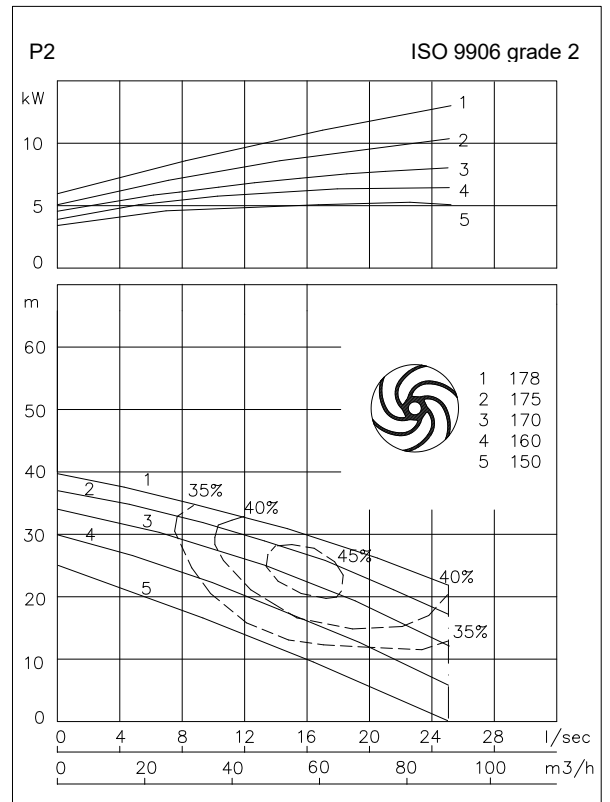


Freestanding: 75 mm hose connection or  
 Including support (VRS): G 3" threaded connection



### Optional

- Flameproof version, to class: II 2 G Ex d IIB c T4  
 Standard: II 2 G Ex b c d IIB T4 Gb  
 With Frequency control: II 2 G Ex b c d IIB T3 Gb
- Thermo switches in stator windings (standard for flame proof version)
- Cable protective sheathing (AISI 316)
- Water detector in motor and oil chamber  
 Flameproof version with external cable



### Connections

voltage	current	Electrical cable size [mm <sup>2</sup> ]		motor protection and/or water detector		flameproof version	
		direct start	stardelta start	direct start	stardelta start	direct start	stardelta start
[V]*	[A]						
230	42.1	4G10	2x4G6	4G10 + 4G1.5	-	4G10 + 4G2.5	-
400	24.2	4G6	7G1.5	4G6 + 4G1.5	10G1.5	4G6 + 4G2.5	10G1.5
500	19.3	4G2.5	7G1.5	7G2.5	10G1.5	7G2.5	10G1.5
starting current DOL start : 7.8 x rated current							
starting current YD start : 2.6 x rated current							
							* other voltages on request

Pump type: Submersible Duplex Pump

Application: Waste water, Seawater

### Pump data

Solids passage 100 mm  
 Discharge/ Suction diameter 100 mm (NW100)/ 110 mm  
 Impeller type: Vortex  
 Impeller diameter 210 - 190 mm  
 Recommended min. flow 6 l/sec (21 m<sup>3</sup>/h)  
 Weight 105 kg

### Motor

Mains: 50 c/s – 3 phase  
 Rated shaft power 5.0 kW  
 Rated electrical power 6.3 kW  
 Nominal speed 1420 rpm  
 Motor efficiency 79 %  
 Power factor (cos phi) 0.82  
 Degree of protection IP 68  
 Isolation class F (155°C)  
 Max. water temperature 40°C  
 Standard cable length 10 m

### Materials

Pump casing AISI 329  
 Impeller AISI 329  
 Motor unit AISI 329  
 Shaft AISI 316  
 Bolts AISI 316  
 Elastomers Viton (FPM)  
 Electrical cable Neoprene (CR)  
 Seal lubrication Oil  
 Seal pump side Silicon carbide – Silicon carbide - Viton  
 Seal motor side Carbon – Ceramic

### Installation options

Guide bar coupling OWK 100

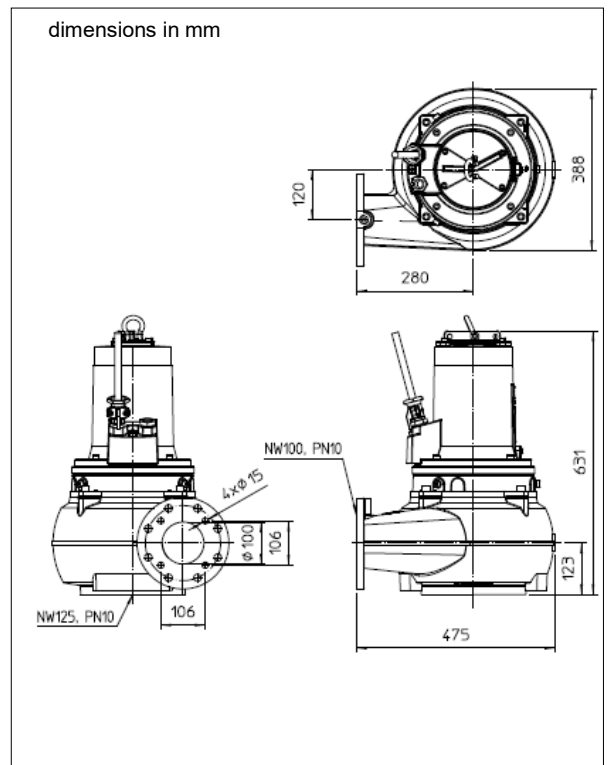
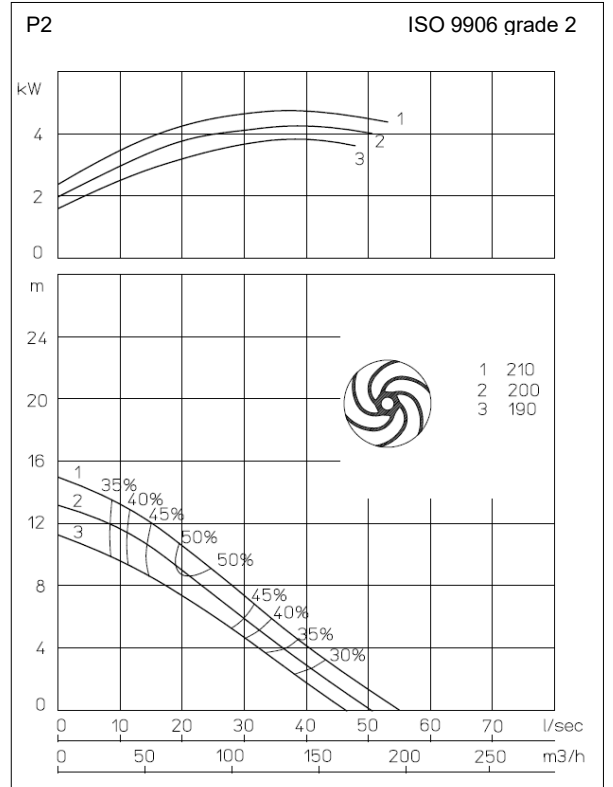


Freestanding 100mm hose connection or  
 Including support (VRS) G 4" threaded connection



### Optional

- Flameproof version, to class: II 2 G Ex d IIB c T4  
 Standard: II 2 G Ex b c d IIB T4 Gb  
 With Frequency control: II 2 G Ex b c d IIB T3 Gb
- Thermo switches in stator windings  
 (standard for flame proof version)
- Cable protective sheathing (AISI 316)
- Water detector in motor and oil chamber  
 Flameproof version with external cable



### Connections

voltage	current	Electrical cable size [mm <sup>2</sup> ]		motor protection and/or water detector		flameproof version	
		direct start	stardelta start	direct start	stardelta start	direct start	stardelta start
[V]*	[A]						
230	19.5	4G2.5	7G1.5	7G2.5	10G1.5	7G2.5	10G1.5
400	11.2	4G2.5	7G1.5	7G1.5	10G1.5	7G1.5	10G1.5
500	9.0	4G2.5	7G1.5	7G1.5	10G1.5	7G1.5	10G1.5
starting current DOL start : 5.0 x rated current							
starting current YD start : 1.7 x rated current							
							* other voltages on request



Pump type: Submersible Duplex Pump

Application: Waste water, Seawater

### Pump data

Solids passage 100 mm  
 Discharge/ Suction diameter 100 mm (NW100)/ 110 mm  
 Impeller type: Vortex  
 Impeller diameter 220 - 200 mm  
 Recommended min. flow 6 l/sec (21 m<sup>3</sup>/h)  
 Weight 105 kg

### Motor

Mains: 50 c/s – 3 phase  
 Rated shaft power 6.0 kW  
 Rated electrical power 7.7 kW  
 Nominal speed 1395 rpm  
 Motor efficiency 78 %  
 Power factor (cos phi) 0.85  
 Degree of protection IP 68  
 Isolation class F (155°C)  
 Max. water temperature 40°C  
 Standard cable length 10 m

### Materials

Pump casing AISI 329  
 Impeller AISI 329  
 Motor unit AISI 329  
 Shaft AISI 316  
 Bolts AISI 316  
 Elastomers Viton (FPM)  
 Electrical cable Neoprene (CR)  
 Seal lubrication Oil  
 Seal pump side Silicon carbide – Silicon carbide - Viton  
 Seal motor side Carbon - Ceramic

### Installation options

Guide bar coupling OWK 100

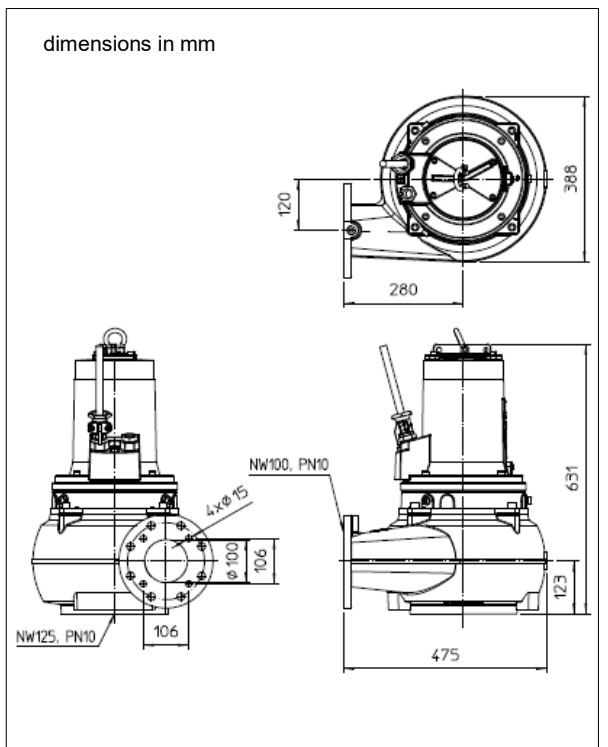
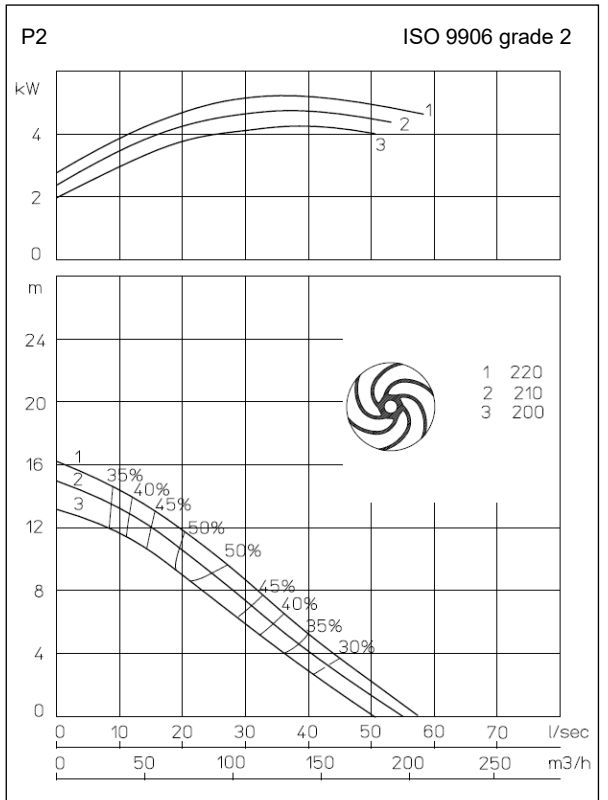


Freestanding 100mm hose connection or  
 Including support (VRS) G 4" threaded connection



### Optional

- Flameproof version, to class: II 2 G Ex d IIB c T4  
 Standard: II 2 G Ex b c d IIB T4 Gb  
 With Frequency control: II 2 G Ex b c d IIB T3 Gb
- Thermo switches in stator windings  
 (standard for flame proof version)
- Cable protective sheathing (AISI 316)
- Water detector in motor and oil chamber  
 Flameproof version with external cable



### Connections

voltage	current	Electrical cable size [mm <sup>2</sup> ]		motor protection and/or water detector		flameproof version		
		direct start	stardelta start	direct start	stardelta start	direct start	stardelta start	
230	22.9	4G6	7G1.5	4G6 + 4G1.5	10G1.5	4G6 + 4G2.5	10G1.5	
400	13.1	4G2.5	7G1.5	7G1.5	10G1.5	7G1.5	10G1.5	
500	10.5	4G2.5	7G1.5	7G1.5	10G1.5	7G1.5	10G1.5	
starting current DOL start : 4.2 x rated current								
starting current YD start : 1.4 x rated current								
							* other voltages on request	

Pump type: Submersible Duplex Pump

Application: Waste water, Seawater

### Pump data

Solids passage 100 mm  
 Discharge/ Suction diameter 100 mm (NW100)/ 110 mm  
 Impeller type: Vortex  
 Impeller diameter 232 - 210 mm  
 Recommended min. flow 6 l/sec (21 m<sup>3</sup>/h)  
 Weight 114 kg

### Motor

Mains: 50 c/s – 3 phase  
 Rated shaft power 7.5 kW  
 Rated electrical power 9.3 kW  
 Nominal speed 1390 rpm  
 Motor efficiency 81 %  
 Power factor (cos phi) 0.88  
 Degree of protection IP 68  
 Isolation class F (155°C)  
 Max. water temperature 40°C  
 Standard cable length 10 m

### Materials

Pump casing AISI 329  
 Impeller AISI 329  
 Motor unit AISI 329  
 Shaft AISI 316  
 Bolts AISI 316  
 Elastomers Viton (FPM)  
 Electrical cable Neoprene (CR)  
 Seal lubrication Oil  
 Seal pump side Silicon carbide – Silicon carbide - Viton  
 Seal motor side Carbon – Ceramic

### Installation options

Guide bar coupling OWK 100

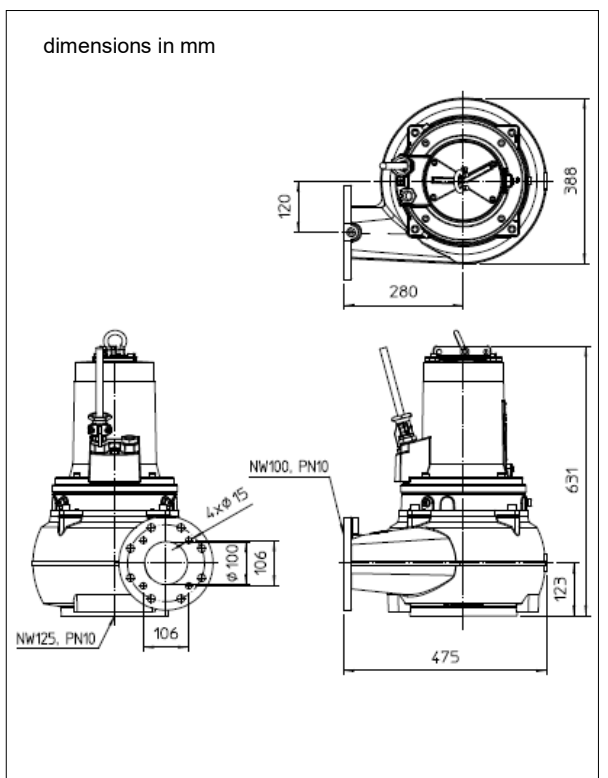
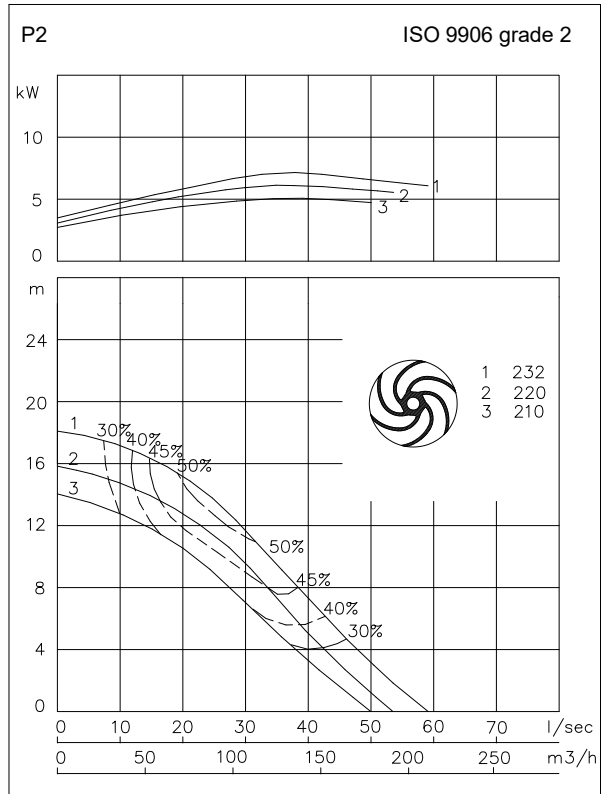


Freestanding 100mm hose connection or  
 Including support (VRS) G 4" threaded connection



### Optional

- Flameproof version, to class: II 2 G Ex d IIB c T4 Standard:  
 II 2 G Ex b c d IIB T4 Gb  
 With Frequency control: II 2 G Ex b c d IIB T3 Gb
- Thermo switches in stator windings  
 (standard for flame proof version)
- Cable protective sheathing (AISI 316)
- Water detector in motor and oil chamber  
 Flameproof version with external cable



### Connections

voltage	current	Electrical cable size [mm <sup>2</sup> ]		motor protection and/or water detector		flameproof version		
		direct start	stardelta start	direct start	stardelta start	direct start	stardelta start	
230	26.4	4G6	7G2.5	4G6 + 4G1.5	7G2.5 + 4G1.5	4G6 + 4G2.5	7G2.5 + 4G2.5	
400	15.2	4G2.5	7G1.5	7G1.5	10G1.5	7G1.5	10G1.5	
500	12.1	4G2.5	7G1.5	7G1.5	10G1.5	7G1.5	10G1.5	
starting current DOL start : 6.1 x rated current								
starting current YD start : 2.0 x rated current								
							* other voltages on request	

Pump type: Submersible Duplex Pump

Application: Waste water, Seawater

### Pump data

Solids passage 100 mm  
 Discharge/ Suction diameter 100 mm (NW100)/ 110 mm  
 Impeller type: Vortex  
 Impeller diameter 245 - 220 mm  
 Recommended min. flow 6 l/sec (21 m3/h)  
 Weight 120 kg

### Motor

Mains: 50 c/s – 3 phase  
 Rated shaft power 10.5 kW  
 Rated electrical power 12.5 kW  
 Nominal speed 1420 rpm  
 Motor efficiency 84 %  
 Power factor (cos phi) 0.85  
 Degree of protection IP 68  
 Isolation class F (155°C)  
 Max. water temperature 40°C  
 Standard cable length 10 m

### Materials

Pump casing AISI 329  
 Impeller AISI 329  
 Motor unit AISI 329  
 Shaft AISI 316  
 Bolts AISI 316  
 Elastomers Viton (FPM)  
 Electrical cable Neoprene (CR)  
 Seal lubrication Oil  
 Seal pump side Silicon carbide – Silicon carbide - Viton  
 Seal motor side Carbon – Ceramic

### Installation options

Guide bar coupling OWK 100

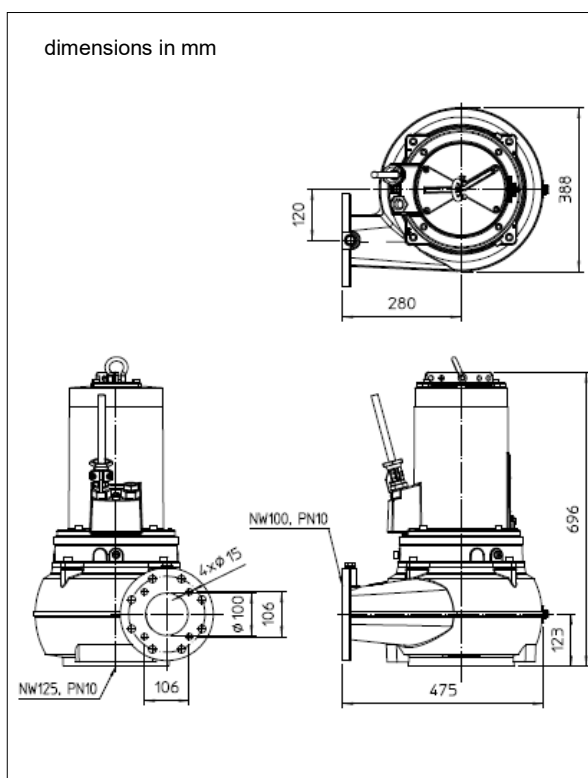
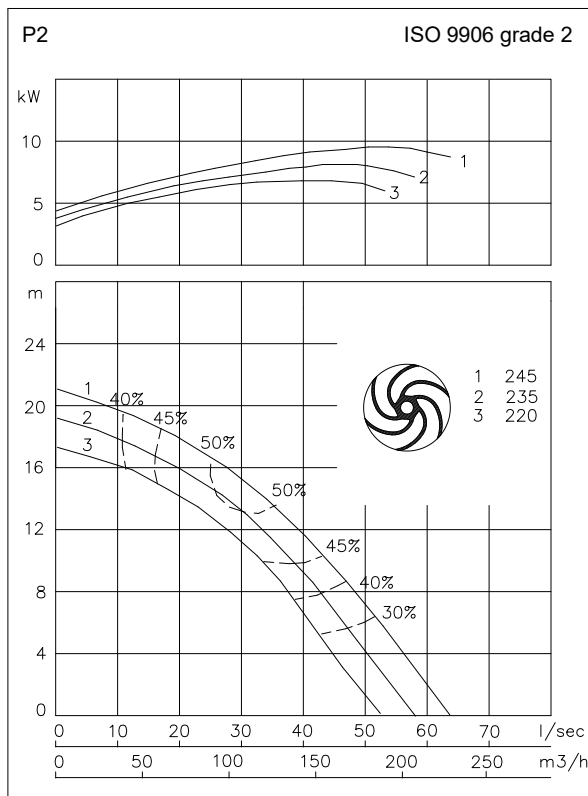


Freestanding 100mm hose connection or  
 Including support (VRS) G 4" threaded connection



### Optional

- Flameproof version, to class: II 2 G Ex d IIB c T4  
 Standard: II 2 G Ex b c d IIB T4 Gb  
 With Frequency control: II 2 G Ex b c d IIB T3 Gb
- Thermo switches in stator windings (standard for flame proof version)
- Cable protective sheathing (AISI 316)
- Water detector in motor and oil chamber  
 Flameproof version with external cable



### Connections

voltage	current	Electrical cable size [mm <sup>2</sup> ]		motor protection and/or water detector		flameproof version		
		direct start	stardelta start	direct start	stardelta start	direct start	stardelta start	
230	36.9	4G10	2x4G6	4G10 + 4G1.5	-	4G10 + 4G2.5	-	
400	21.2	4G6	7G1.5	4G6 + 4G1.5	10G1.5	4G6 + 4G2.5	10G1.5	
500	17.0	4G2.5	7G1.5	7G1.5	10G1.5	7G1.5	10G1.5	
starting current DOL start : 5.0 x rated current								
starting current YD start : 1.7 x rated current								
							* other voltages on request	

Pump type: Submersible Duplex Pump

Application: Waste water, Seawater

### Pump data

Solids passage 100 mm  
 Discharge/ Suction diameter 100 mm (NW100)/ 110 mm  
 Impeller type: Vortex  
 Impeller diameter 252 - 225 mm  
 Recommended min. flow 6 l/sec (21 m<sup>3</sup>/h)  
 Weight 125 kg

### Motor

Mains: 50 c/s – 3 phase  
 Rated shaft power 13.0 kW  
 Rated electrical power 15.1 kW  
 Nominal speed 1420 rpm  
 Motor efficiency 86 %  
 Power factor (cos phi) 0.84  
 Degree of protection IP 68  
 Isolation class F (155°C)  
 Max. water temperature 40°C  
 Standard cable length 10 m

### Materials

Pump casing AISI 329  
 Impeller AISI 329  
 Motor unit AISI 329  
 Shaft AISI 316  
 Bolts AISI 316  
 Elastomers Viton (FPM)  
 Electrical cable Neoprene (CR)  
 Seal lubrication Oil  
 Seal pump side Silicon carbide – Silicon carbide - Viton  
 Seal motor side Carbon – Ceramic

### Installation options

Guide bar coupling OWK 100

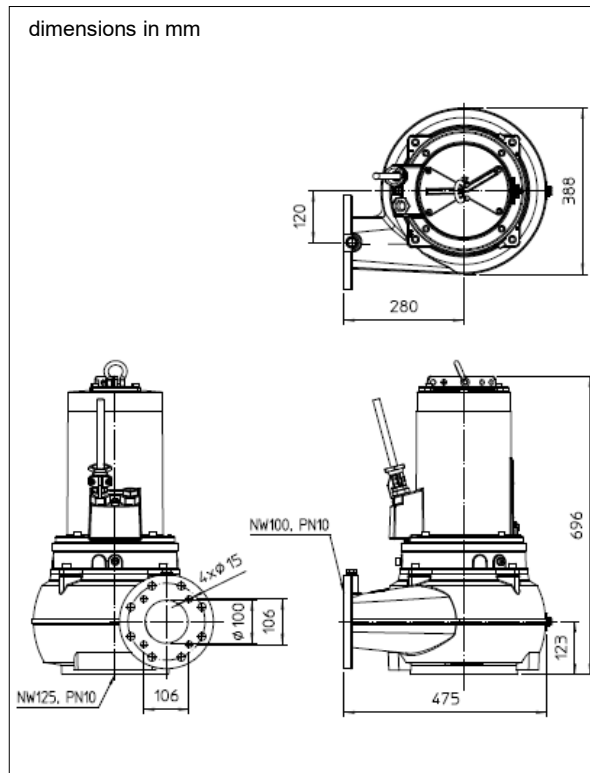
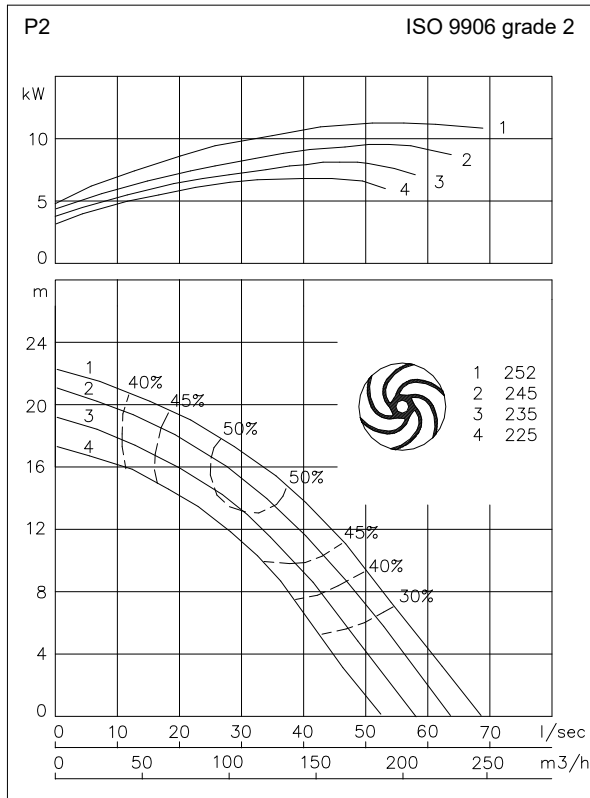


Freestanding 100mm hose connection or  
 Including support (VRS) G 4" threaded connection



### Optional

- Flameproof version, to class: II 2 G Ex d IIB c T4  
 Standard: II 2 G Ex b c d IIB T4 Gb  
 With Frequency control: II 2 G Ex b c d IIB T3 Gb
- Thermo switches in stator windings  
 (standard for flame proof version)
- Cable protective sheathing (AISI 316)
- Water detector in motor and oil chamber  
 Flameproof version with external cable



### Connections

voltage [V]*	current [A]	Electrical cable size [mm <sup>2</sup> ]		motor protection and/or water detector		flameproof version		
		direct start	stardelta start	direct start	stardelta start	direct start	stardelta start	
230	45.4	4G10	2x4G6	4G10 + 4G1.5	-	4G10 + 4G2.5	-	
400	26.1	4G6	7G2.5	4G6 + 4G1.5	7G2.5 + 4G1.5	4G6 + 4G2.5	7G2.5 + 4G2.5	
500	20.9	4G6	7G1.5	4G6 + 4G1.5	10G1.5	4G6 + 4G2.5	10G1.5	
starting current DOL start : 5.0 x rated current								
starting current YD start : 1.7 x rated current								
							* other voltages on request	