

Pump type: Submersible vortex pump
 Application: Waste water, Seawater

Pump data

Solids passage 100 mm
 Discharge/ Suction diameter 100 mm/ 120 mm
 Impeller type: Vortex
 Impeller diameter 335 - 255 mm
 Recommended min. flow 6 l/sec (21 m3/h)
 Weight 300 kg

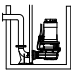

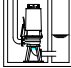
Motor

Mains: 50 c/s – 3 phase
 Rated shaft power 34.0 kW
 Rated electrical power 39.5 kW
 Nominal speed 1440 rpm
 Motor efficiency 86 %
 Power factor (cos phi) 0.86
 Degree of protection IP 68
 Isolation class F (155°C)
 Max. water temperature 40°C
 Standard cable length 10 m

Materials

Pump casing AISI 329
 Impeller AISI 329
 Motor unit AISI 329
 Shaft AISI 316
 Bolts AISI 316
 Elastomers Viton (FPM)
 Electrical cable Neoprene (CR)
 Seal lubrication Oil
 Seal pump side Silicon carbide – Silicon carbide - Viton
 Seal motor side Carbon – Ceramic

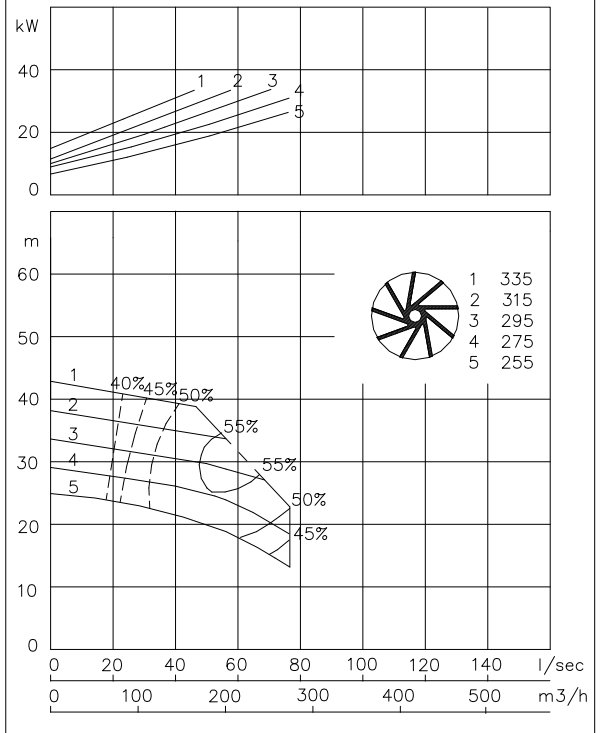
Installation options

Guide bar coupling OWK 100 -U 
 Freestanding Including support (VRS) 100 mm hose connection or G 4" threaded connection 
 Dry Installation Including cooling system (ODO) vertical or horizontal install. discharge flange NW100 suction flange NW125 

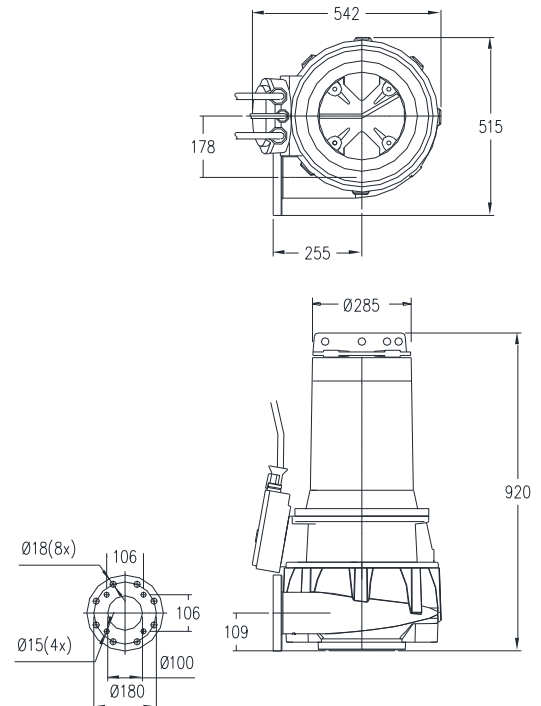
Optional

- Version with cooling system
- Flameproof version, to class: II 2 G Ex d IIB c T4
 Standard: II 2 G Ex b c d IIB T4 Gb
 With Frequency control: II 2 G Ex b c d IIB T3 Gb
- Cable protective sheathing (AISI 316)
- Water detector in motor and oil chamber

P2 ISO 9906 grade 2



dimensions in mm



Connections

voltage	current	Electrical cable size [mm2]			
		motor protection and/or water detector		flameproof version	
[V]*	[A]	direct start	star-delta start	direct start	star-delta start
230	115.5	-	2x4G16 + 4G2.5	-	2x4G16 + 4G2.5
400	66.4	4G16 + 4G2.5	2x4G10 + 4G2.5	4G16 + 4G2.5	2x4G10 + 4G2.5
500	53.1	4G16 + 4G2.5	2x4G10 + 4G2.5	4G16 + 4G2.5	2x4G10 + 4G2.5
starting current DOL start : 4.5 x rated current					
starting current YD start : 1.5 x rated current					
					* other voltages on request