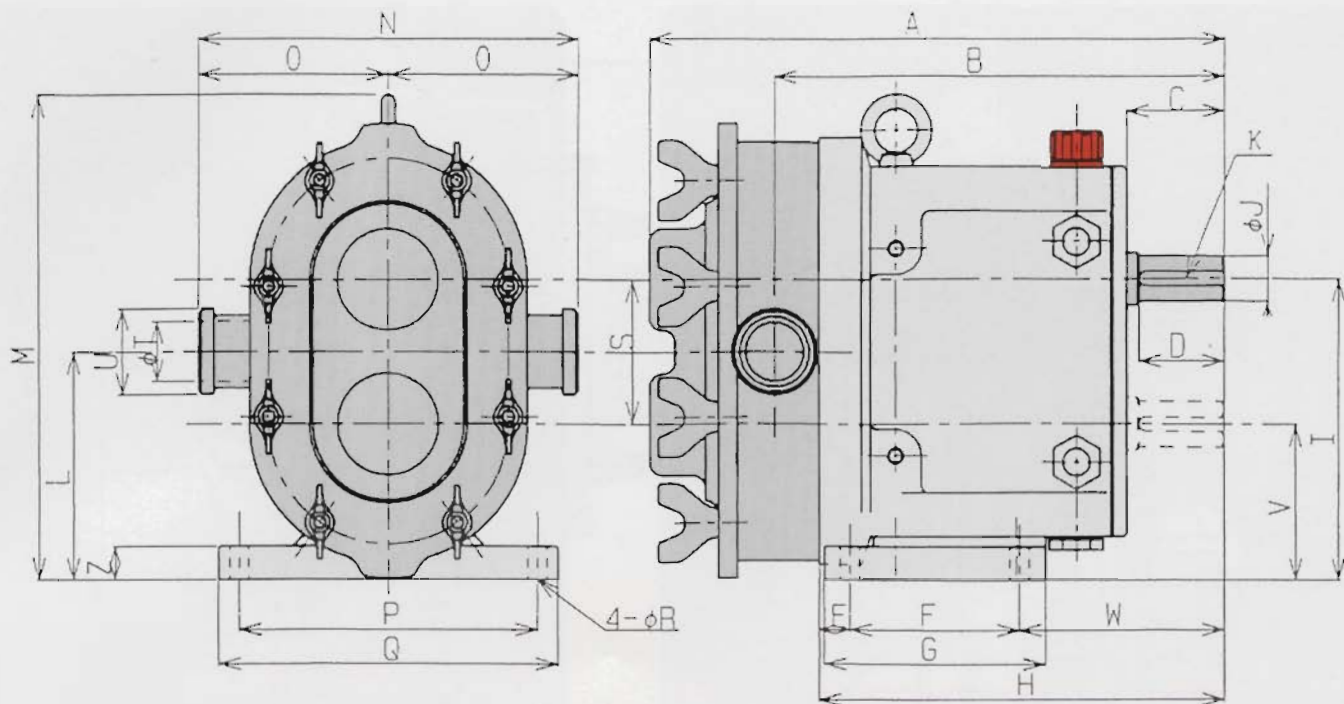


DIMENSIONAL DRAWING/TABLE FOR JM(O) SERIES

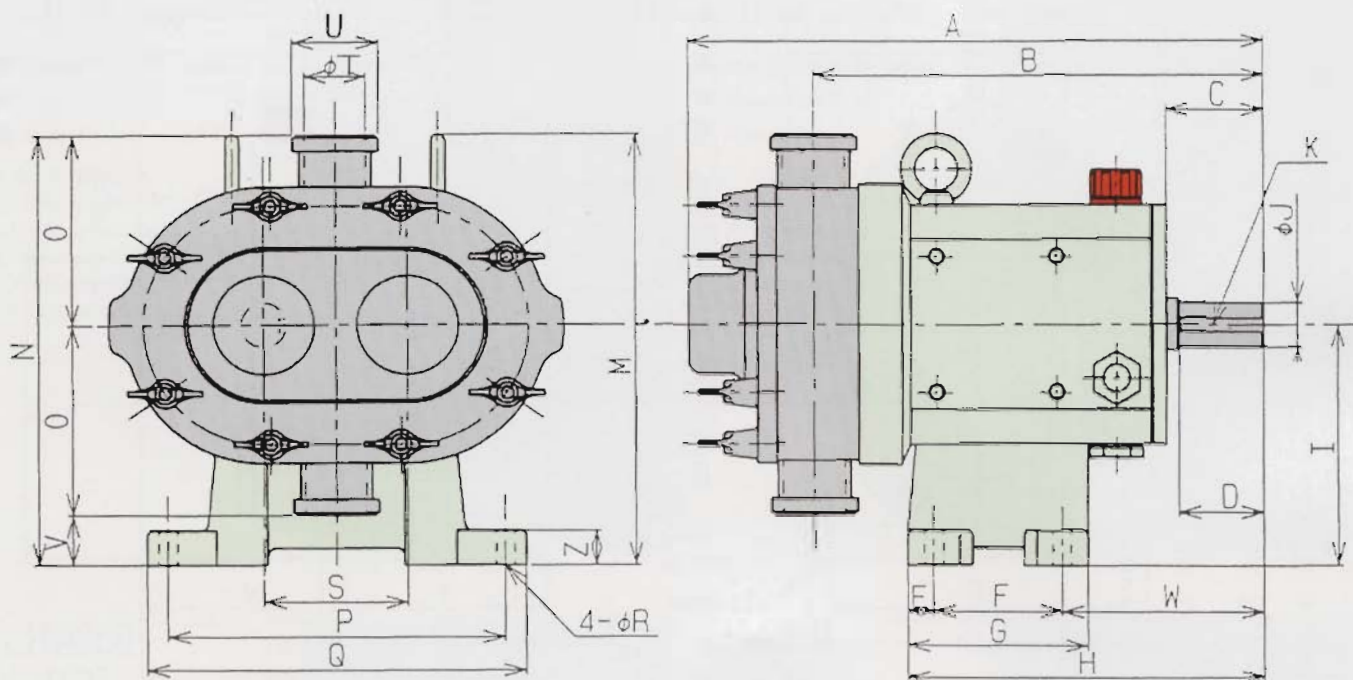


*Standard position of the drive shaft is upper. However lower shaft is also available upon request.

Model Symbol	JM(O) 2.4	JM(O) 10	JM(O) 16	JM(O) 25	JM(O) 40	JM(O) 55	JM(O) 125	JM(O) 160,200	JM(O) 300	
A	238	323	323	336	355	407	437	566	853	
B	195	249	246	263	276	322.5	345	440.5	695	
C	34	62	60	58	58	63	63	75	110	
D	30	50	50	50	50	54	54	70	100	
E	23	15	15	18	18	30	30	25	85	
F	75	80	80	99	99	115	115	198	265	
G	95	108	108	129	129	155	155	238	335	
H	183	218	218	237	237	295	295	388	617	
I	100	140	140	175	175	243	243	314	400	
J	18	22	22	26	26	36	36	55	70	
K	Width	6	6	6	8	8	10	10	16	22
	Depth	3.5	3.5	3.5	4	4	5	5	6	9
L	76	107.5	107.5	133	133	185.5	185.5	237	307.5	
M	—	237	237	282	282	380	380	506	667	
N	190	212	212	250	250	322	330	380	560	
O	95	106	106	125	125	151	155	190	280	
P	132	150	150	174	174	230	230	280	370	
Q	154	174	174	198	198	260	260	320	420	
R	9	11	11	11	11	14	14	18	23	
S	48	65	65	84	84	115	115	154	185	
T	19	24	30	36	47	47	60	96	150	
U	1 ^s	11/2 ^s	11/2 ^s	11/2 ^s	2 ^s	2 ^s	21/2 ^s	4 ^s	6 ^s	
V	52	75	75	91	91	128	128	160	215	
W	85	123	123	120	120	150	150	165	267	
Z	11	18	18	20	20	23	23	23	30	
Weight	15kg	27.6kg	28kg	42kg	45kg	85.7kg	94.4kg	140kg	420kg	

*The dimensions and weights may be subject to change for improvements without prior notice.

DIMENSIONAL DRAWING/TABLE FOR VJM(O) SERIES



DIMENSIONS AND WEIGHTS

Model Symbol	VJM(O) 2.4	VJM(O) 10	VJM(O) 16	VJM(O) 25	VJM(O) 40	VJM(O) 55	VJM(O) 125	VJM(O) 160,200	VJM(O) 300
A	238	323	323	336	355	407	437	566	—
B	195	249	246	263	276	322.5	345	440.5	—
C	34	62	62	58	58	63	63	75	—
D	30	50	50	50	50	54	54	70	—
E	10	15	15	15	15	20	20	20	—
F	58	60	60	75	75	125	125	153	—
G	78	90	90	105	105	165	165	193	—
H	153	199	199	210	210	295	295	338	—
I	100	113	113	140	140	150	150	200	—
J	18	22	22	26	26	36	36	55	—
K	Width	195	219	219	265	265	301	305	16
	Depth	95	106	106	125	125	151	155	6
M	—	220	220	252	252	291	291	380	—
N	167	203	203	248.5	248.5	285	285	380	—
O	83.5	90	90	108.5	108.5	135	135	190	—
P	132	170	170	196	196	280	280	360	—
Q	154	196	196	220	220	310	310	400	—
R	9	11	11	11	11	17	17	19	—
S	48	65	65	84	84	115	115	154	—
T	19	24	30	36	46	46	60	96	—
U	1 ^s	1 1/2 ^s	1 1/2 ^s	1 1/2 ^s	2 ^s	2 ^s	2 1/2 ^s	4 ^s	—
V	5	7	7	15	15	15	15	124	—
W	85	124	124	120	120	150	150	165	—
Z	12	18	18	20	20	23	23	23	—
Weight	16.0kg	28.6kg	29.2kg	44.3kg	47.2kg	89.8kg	98.2kg	160kg	—

*The dimensions and weights may be subject to change for improvements without prior notice.