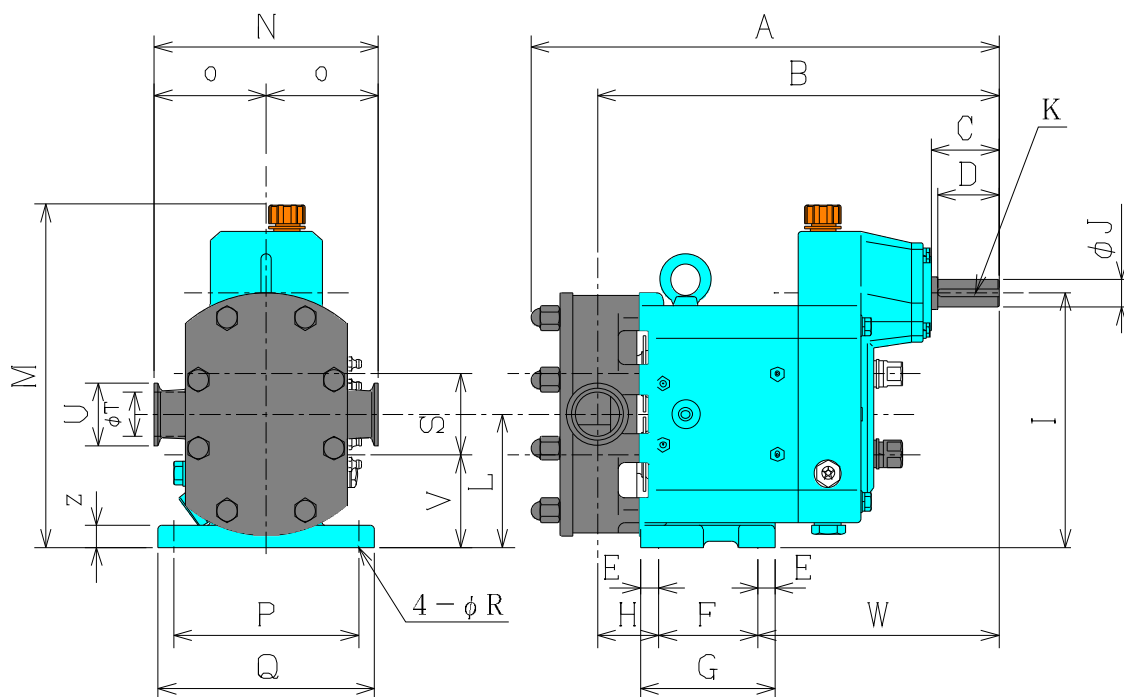


DIMENSIONS



MODEL SYMBOL	SC 15	SC 30	SC 60	SC 130
A	377.5	447.5	547.5	577.5
B	324	380	470	490
C	55	56	65	65
D	50	50	60	60
E	14	15	20	20
F	80	99	115	115
G	108	129	155	155
H	49	60	80	80
I	205	259	358	358
J	22	34	45	45
K	Width	6	10	12
	Depth	3.5	5	5
L	107.5	133	185.5	185.5
M	276.5	340	459	459
N	180	217	270	270
O	90	108.5	135	135
P	150	174	230	230
Q	174	198	260	260
R	11	11	14	14
S	65	84	115	115
T	30	46	46	73
U	40A	50A	50A	75A
V	75	91	128	128
W	195	221	275	275
Z	18	20	23	23

※The dimensions may be subject to change for improvements without prior notice.