

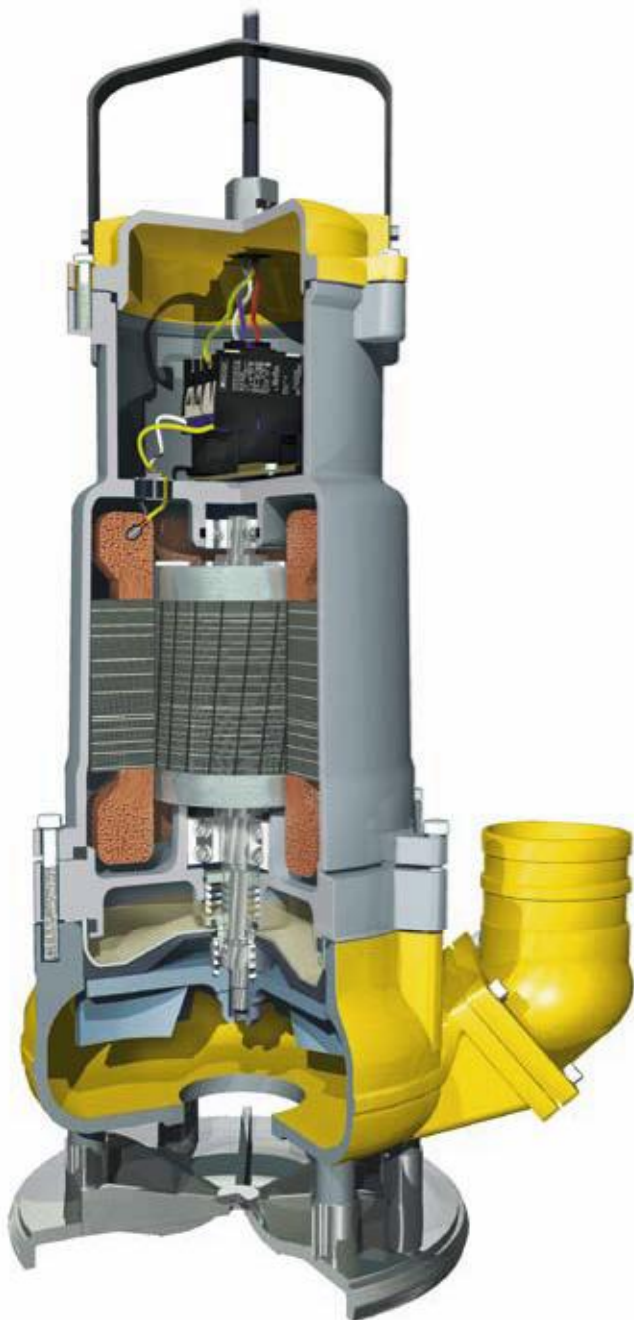


# SUBMERSIBLE SLUDGE PUMPS

ENG 50 HZ

POMP  DIRECT

# PUMPEX LIGHTWEIGHT SLUDGE PUMPS FOR HEAVY DUTY



## Easy to move

Casted motorparts are made in lightweight aluminium alloy so the pump can easily be moved to the right location.

## High wear resistance

Impeller and pump housing are made in wear resistant ductile iron for maximum wear resistance and durability, extending the life of the pump.

For extreme conditions choose Pumpex stainless steel vortex impellers.

## Solids handling capability

The SP sludge pumps are fitted with free flow vortex impeller and pump housing that provides great flows without clogging.

## Trouble free and safe handling

Pumpex pumps are equipped for immediate use. The slim design, encapsulated motor and no external moving parts makes installation and operation easy and safe.

## Plug-in start with motor protection

Built-in contactor, capacitor (Single Phase) and thermal protectors in the stator windings protects the motor and features an automatic restart function.

## High reliability

Double mechanical shaft seal in oil bath (silicon carbide on silicon carbide in the primary seal) for long life even under the most demanding running conditions.

Rigid stainless steel shaft with lower double angular contact ball bearings for vibration-free operation and long pump life.

## High flexibility

The pump can operate in any position, vertical or horizontal.

The impellers are available in different sizes to meet your specific pumping requirements.

## Non overloading performance

Flexible curve selection offers (blue) curve when you expect dry or snore running conditions. When half the motor or more (pump can operate lying down) is submerged you may choose the maximum impeller diameter (red curve).

## Easy service and maintenance

Common philosophy through the complete range with modular design and interchangeable spare parts. (For example identical shaft seals and shaft end on SP20 to SP80)

- Easy access to separate sealed electrical junction box.
- Easy to replace hydraulic parts such as impeller and volute.

## Environmentally safe

The oil housing is filled with environmentally safe white oil. Non toxic coatings are used.

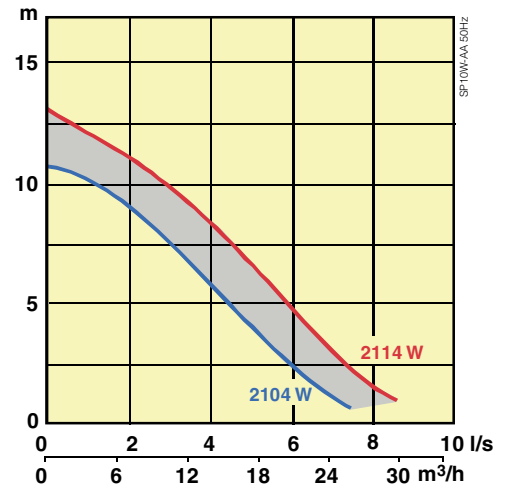
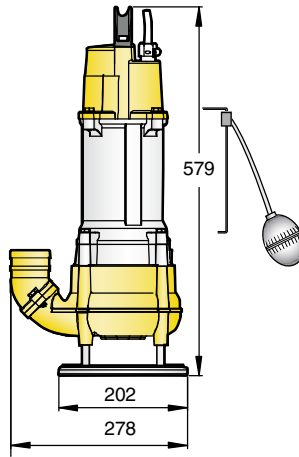
## PUMPEX SP 10 W

Pump types

**SP 10 W-2104**  
**SP 10 W-2114**  
**SP 10 WA\*-2114**

Speed 2850 rpm  
 Motor single-phase  
 Motor rating  $P_2$  0.9 kW  
 Power input  $P_1$  max 1.2 kW  
 Motor protection built-in  
 Electric cable 20 m type H07RN-F  
 Free passage  $\varnothing$  40 mm  
 Discharge connection hose 2", 2½", 3"  
 G 2", 2½", 3"

Weight (excl. cable) 18 kg



\*) Built in float switch available as option.

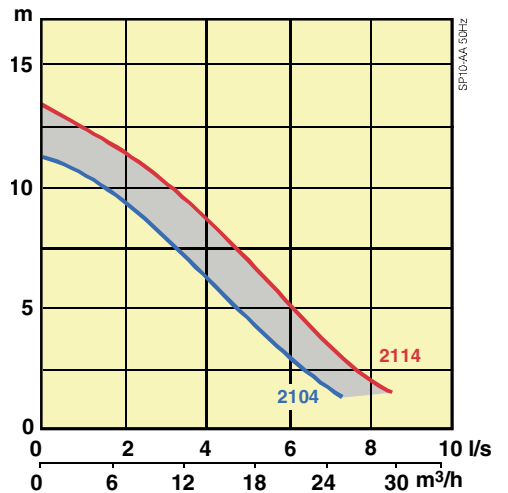
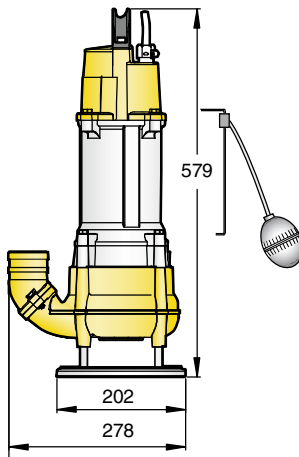
## PUMPEX SP 10

Pump types

**SP 10-2104**  
**SP 10-2114**  
**SP 10A\*-2114**

Speed 2850 rpm  
 Motor 3-phase  
 Motor rating  $P_2$  0.9 kW  
 Power input  $P_1$  max 1.2 kW  
 Motor protection built-in  
 Electric cable 20 m type H07RN-F  
 Free passage  $\varnothing$  40 mm  
 Discharge connection hose 2", 2½", 3"  
 G 2", 2½", 3"

Weight (excl. cable) 18 kg



\*) Built in float switch available as option, excl. 500V.

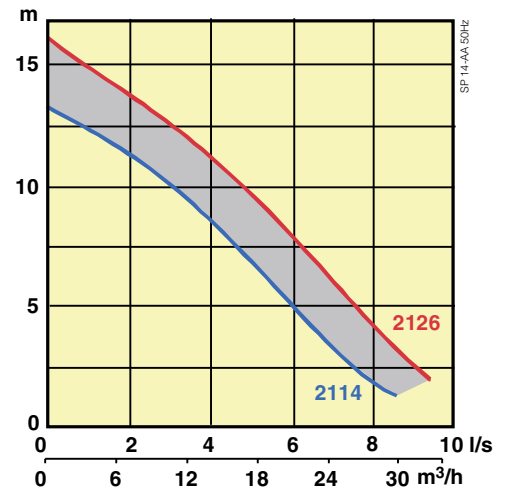
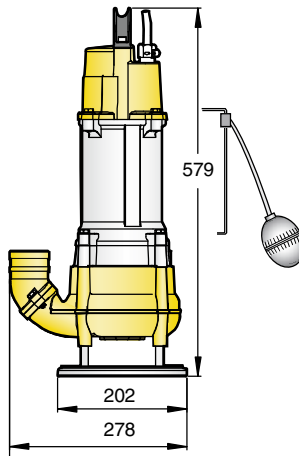
## PUMPEX SP 14

Pump types

**SP 14-2114**  
**SP 14-2126**  
**SP 14A\*-2126**

Speed 2850 rpm  
 Motor 3-phase  
 Motor rating  $P_2$  1.3 kW  
 Power input  $P_1$  max 1.6 kW  
 Motor protection built-in  
 Electric cable 20 m type H07RN-F  
 Free passage  $\varnothing$  40 mm  
 Discharge connection hose 2", 2½", 3"  
 G 2", 2½", 3"

Weight (excl. cable) 18 kg



\*) Built in float switch available as option, excl. 500V.

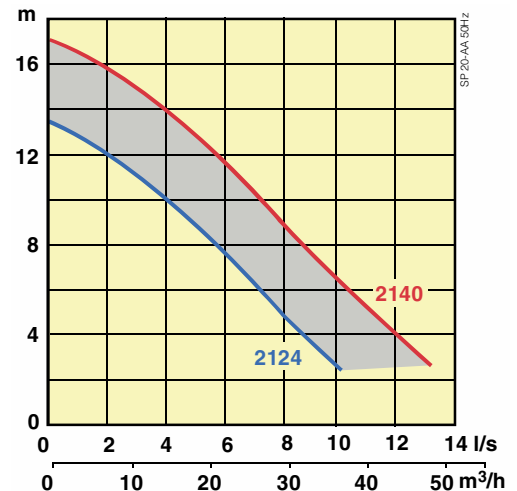
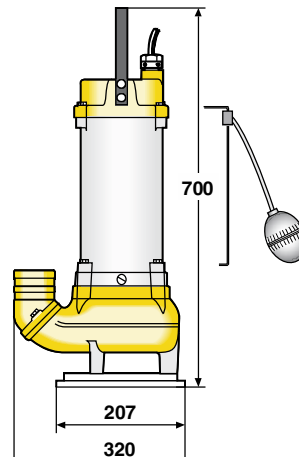
## PUMPEX SP 20

Pump types

**SP 20-2124**  
**SP 20A\*-2124**  
**SP 20-2140**  
**SP 20A\*-2140**

Speed 2870 rpm  
 Motor 3-phase  
 Motor rating  $P_2$  2.0 kW  
 Power input  $P_1$  max 2.4 kW  
 Motor protection built-in  
 Electric cable 20 m type H07RN-F  
 Free passage  $\varnothing$  60 mm  
 Discharge connection hose 2½", 3", 4"  
 G 2½", 3", 4"

Weight (excl. cable) 29 kg



\*) Built in float switch available as option, excl. 500V.

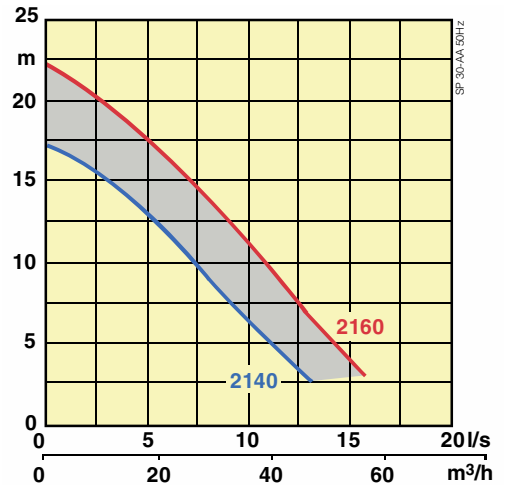
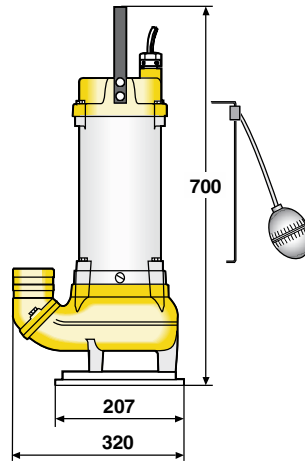
# PUMPEX SP 30

Pump types

SP 30-2140  
 SP 30A\*-2140  
 SP 30-2160  
 SP 30A\*-2160

Speed 2870 rpm  
 Motor 3-phase  
 Motor rating P<sub>2</sub> 3.3 kW  
 Power input P<sub>1</sub> max 3.9 kW  
 Motor protection built-in  
 Electric cable 20 m type H07RN-F  
 Free passage Ø 60 mm  
 Discharge connection hose 2½", 3", 4"  
 G 2½", 3", 4"

Weight (excl. cable) 31 kg



\*) Built in float switch available as option, excl. 500V.

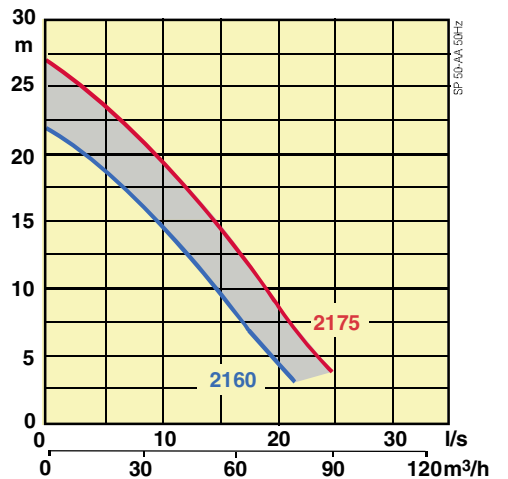
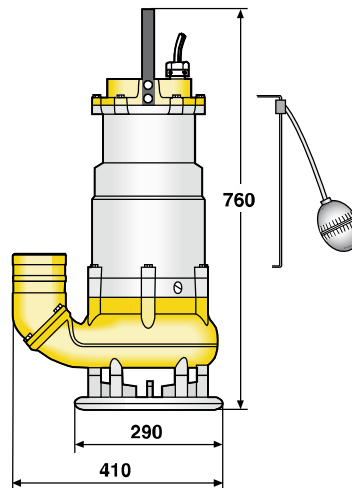
# PUMPEX SP 50

Pump types

SP 50-2160  
 SP 50A\*-2160  
 SP 50-2175  
 SP 50A\*-2175

Speed 2850 rpm  
 Motor 3-phase  
 Motor rating P<sub>2</sub> 5.2 kW  
 Power input P<sub>1</sub> max 6.2 kW  
 Motor protection built-in  
 Electric cable 20 m type H07RN-F  
 Free passage Ø 65 mm  
 Discharge connection hose 3", 4"  
 G 3", 4"

Weight (excl. cable) 54 kg



\*) Built in float switch available as option, excl. 500V.

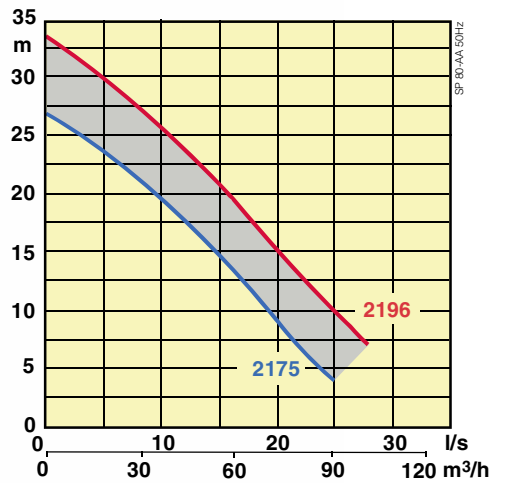
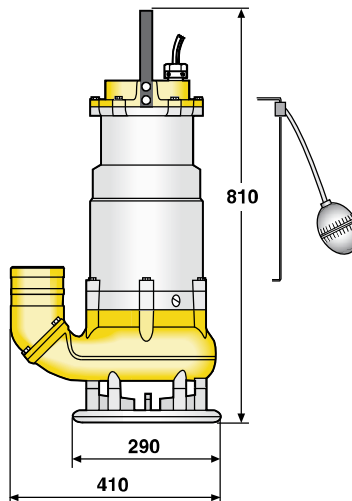
# PUMPEX SP 80

Pump types

SP 80-2175  
 SP 80A\*-2175  
 SP 80-2196  
 SP 80A\*-2196

Speed 2850 rpm  
 Motor 3-phase  
 Motor rating P<sub>2</sub> 8.0 kW  
 Power input P<sub>1</sub> max 9.4 kW  
 Motor protection built-in  
 Electric cable 20 m type H07RN-F  
 Free passage Ø 65 mm  
 Discharge connection hose 3", 4"  
 G 3", 4"

Weight (excl. cable) 67 kg



\*) Built in float switch available as option, excl. 500V.

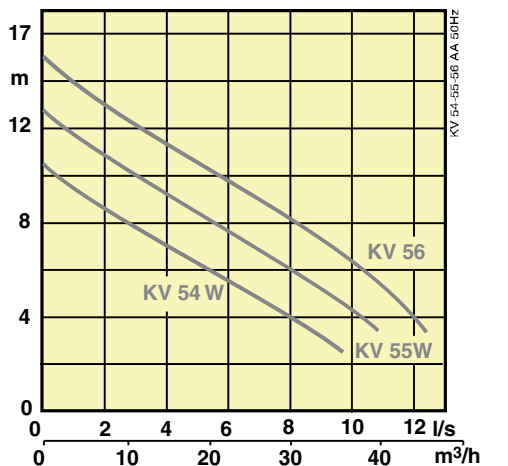
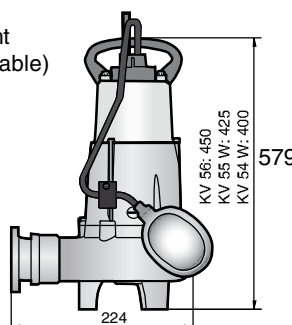
Light duty pump

# PUMPEX KV 54-56

Pump Types

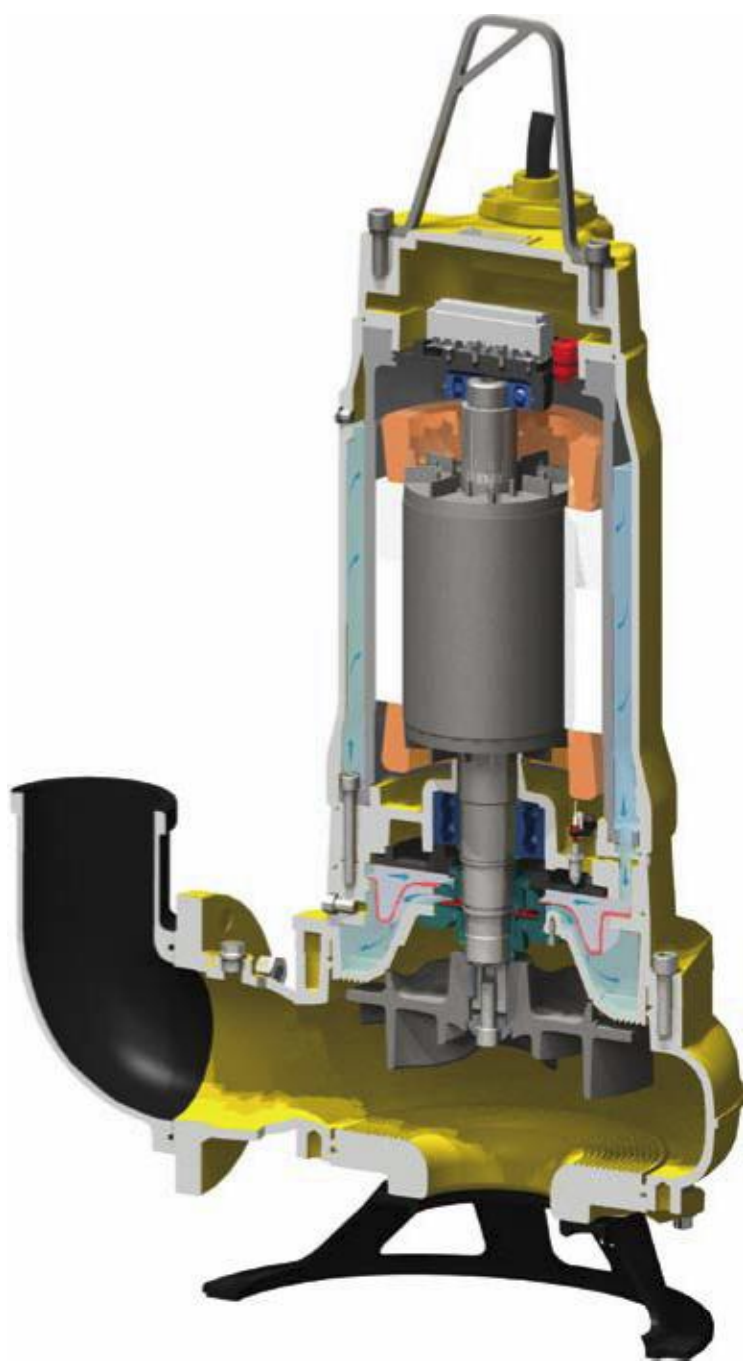
Pump Types	Motor P 2 kW	Power input P1 max kW	Weight (incl cable)
KV 54 W / KV 54 WA*	1.0	1.5	15 kg
KV 55 W / KV 55 WA*	1.5	2.0	17 kg
KV 56 / KV 56A*	2.0	2.6	20 kg

Speed 2900 rpm  
 Motor 3-phase, W=single-phase  
 Motor protection built-in  
 Electric cable 10 m type H07RN-F  
 Free passage 40 mm  
 Discharge connection hose 2", G 2"



\*) Built in float switch available as option.

# PUMPEX TRANSPORTABLE SLUDGE PUMPS FOR VERSATILE APPLICATIONS



## Trouble free and safe handling

PUMPEX sludge pump SK is a portable pump and features a sturdy stainless steel handle and a robust ductile iron stand. It can easily be lifted and moved to where it is needed without suction hoses or any concern about suction lifts. This makes installation and operation easy and safe.

## Non overloading performance

All SK sludge pumps can operate over the entire performance curve without overloading the motor.

## Easy service and maintenance

Modular design through the complete range with interchangeable spare parts makes maintenance and service easier. The sealed cable entry is easy to access and the hydraulic parts, such as impeller, seal cartridge and volute are easy to replace.

## Dry running capability

A closed cooling system enables the PUMPEX SK 83-155 to run dry, with no damage to the mechanical seals or the motor.

PUMPEX SK 65-80 needs to be submerged for continuous duty.

## Solids handling capability

The SK sludge pumps are fitted with free flow vortex impeller and pump housing that provides excellent non clogging performance.

## High reliability

PUMPEX SK 83-155 have cartridge seal unit with double mechanical seals, cooled by the closed cooling system, (silicon carbide on silicon carbide in the primary seal) for long life even under the most demanding operating conditions.

PUMPEX SK 65-80 have double mechanical seals in oil bath with individual primary and secondary seals.

Rigid stainless steel shaft combined with double row angular contact ball bearings provide vibration-free operation and long pump life.

## Environmentally safe

The oil housing on the SK 65-80 is filled with environmentally safe white oil. The oil housing on the SK 83-155 is filled with environmentally safe glycol coolant.

Environmental friendly protection coatings are used on all the surfaces.

## Explosion proof option

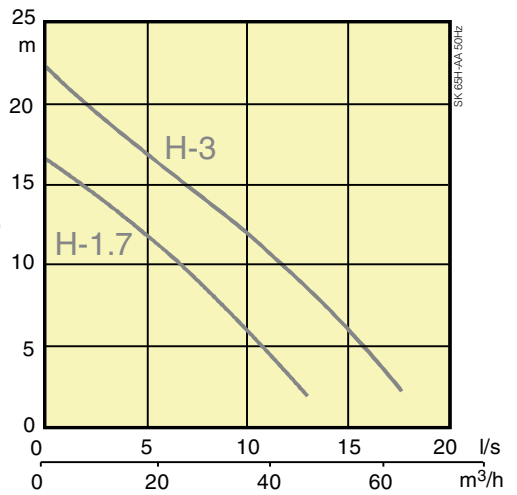
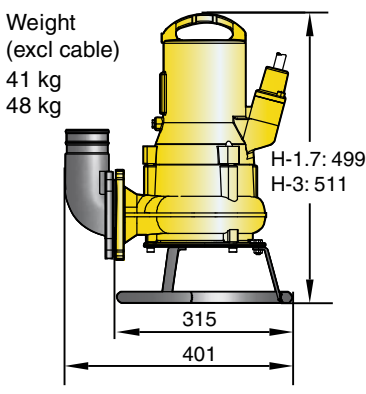
All SK sludge pumps are available in explosion proof versions EExd IIB T4 and ATEX.

## High flexibility

The pump can operate in any position, vertical or horizontal.

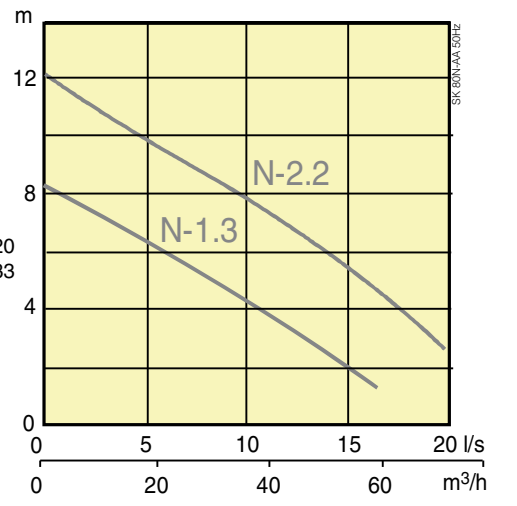
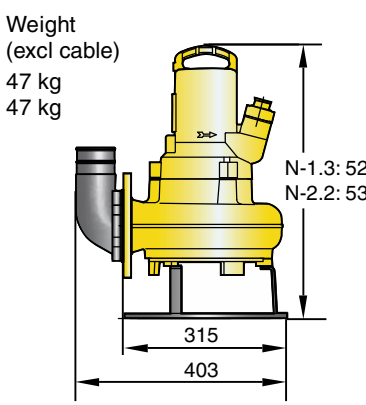
# PUMPEX SK 65

Pump Types	Motor P2 kW	Power input P1 max kW
<b>SK 65H-1.7</b>	1.7	2.31
<b>SK 65H-3</b>	3.0	3.74
Speed	2800 rpm (H-1.7) 2835 rpm (H-3)	
Motor	3-phase	
Motor protection	thermal overload sensors	
Electric cable	20 m type H07RN-F	
Free passage	40 mm	
Discharge connection	hose 3" ,G 3" flanged DN 65	



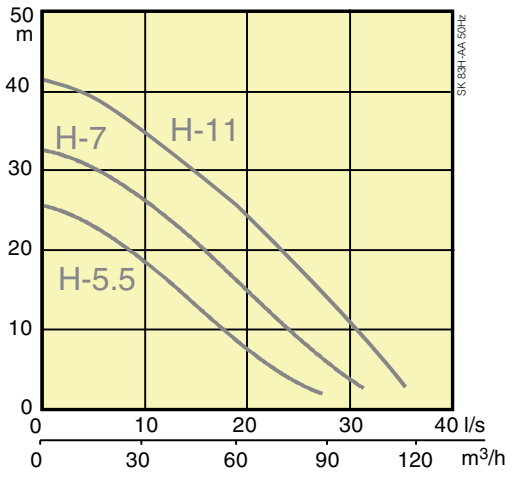
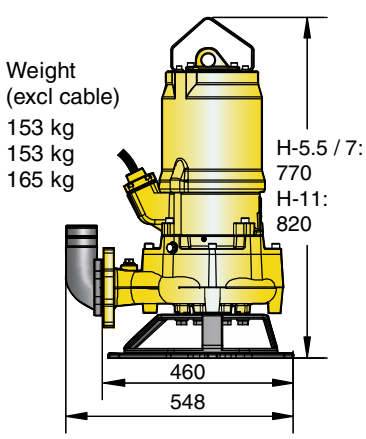
# PUMPEX SK 80

Pump Types	Motor P2 kW	Power input P1 max kW
<b>SK 80N-1.3</b>	1.3	1.93
<b>SK 80N-2.2</b>	2.2	2.88
Speed	1330 rpm (N-1.3) 1380 rpm (N-2.2)	
Motor	3-phase	
Motor protection	thermal overload sensors	
Electric cable	20 m type H07RN-F	
Free passage	60 mm	
Discharge connection	hose 3" ,G 3" flanged DN 80	



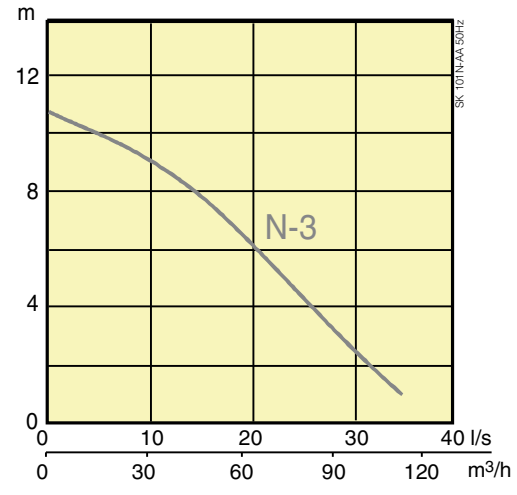
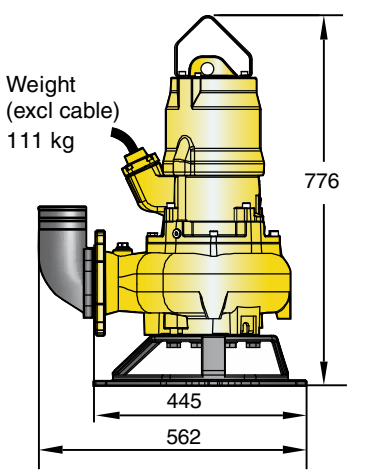
# PUMPEX SK 83

Pump Types	Motor P2 kW	Power input P1 max kW
<b>SK 83H-5.5</b>	5.5	6.49
<b>SK 83H-7</b>	7.0	8.37
<b>SK 83H-11</b>	11.0	13.3
Speed	2885 rpm (H-5.5) 2875 rpm (H-7) 2900 rpm (H-11)	
Motor	3-phase	
Motor protection	thermal overload sensors	
Electric cable	20 m type H07RN-F	
Free passage	65 mm	
Discharge connection	hose 3" ,G3" (H-5.5) hose 4" ,G 4" (H-7, H-11) flanged DN 80	



# PUMPEX SK 101

Pump Types	Motor P2 kW	Power input P1 max kW
<b>SK 101N-3</b>	3.0	3.95
Speed	1370 rpm	
Motor	3-phase	
Motor protection	thermal overload sensors	
Electric cable	20 m type H07RN-F	
Free passage	100 mm	
Discharge connection	hose 4" ,G 4" flanged DN 100	



# PUMPEX SK 103

Pump Types	Motor P2 kW	Power input P1 max kW	Weight (excl cable)
<b>SK 103N-6</b>	6.0	7.22	147 kg
<b>SK 103N-9</b>	9.0	10.8	157 kg

Speed  
1430 rpm (N-6)  
1425 rpm (N-9)

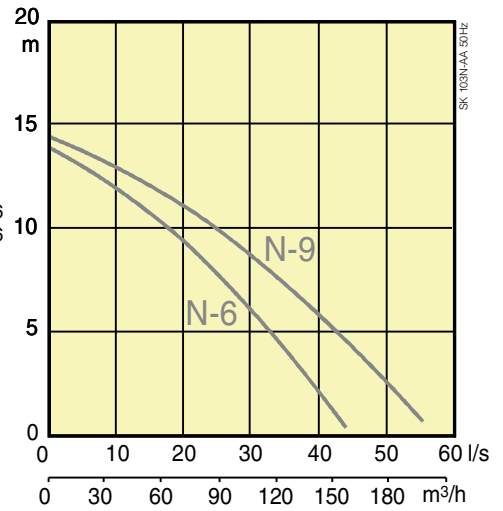
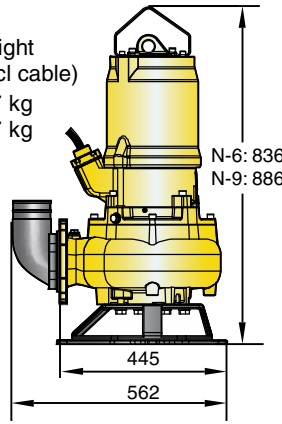
Motor  
3-phase

Motor protection  
thermal overload sensors

Electric cable  
20 m type H07RN-F

Free passage  
100 mm

Discharge connection  
hose 4" ,G 4"  
flanged DN 100



# PUMPEX SK 105H

Pump Types	Motor P2 kW	Power input P1 max kW	Weight (excl cable)
<b>SK 105H-20</b>	20.0	22.1	286 kg
<b>SK 105H-25</b>	25.0	27.5	291 kg

Speed  
2945 rpm (H-20)  
2950 rpm (H-25)

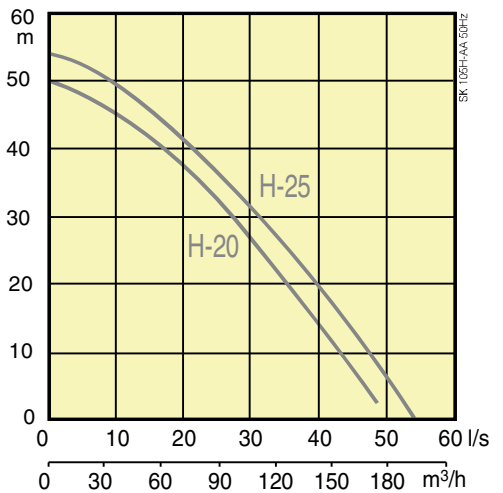
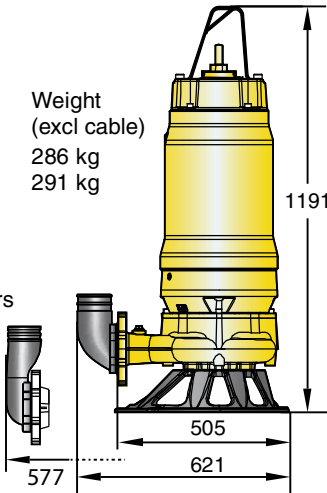
Motor  
3-phase

Motor protection  
thermal overload sensors

Electric cable  
20 m type H07RN-F

Free passage  
64 mm

Discharge connection  
hose 4" ,G 4"  
flanged DN 100



# PUMPEX SK 105N

Pump Types	Motor P2 kW	Power input P1 max kW	Weight (excl cable)
<b>SK 105N-16</b>	16.0	17.8	346 kg
<b>SK 105N-22</b>	22.0	24.3	351 kg

Speed  
1460 rpm (N-16)  
1455 rpm (N-22)

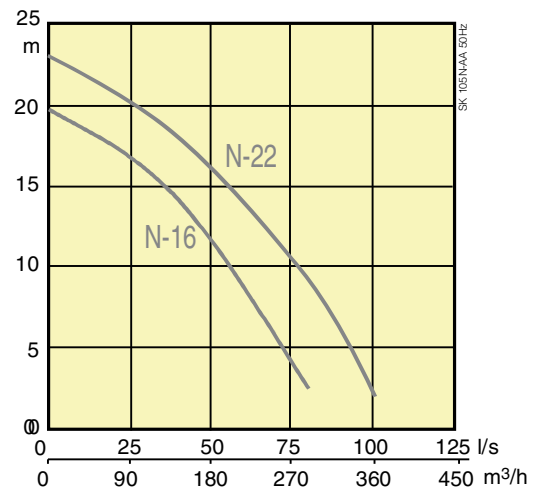
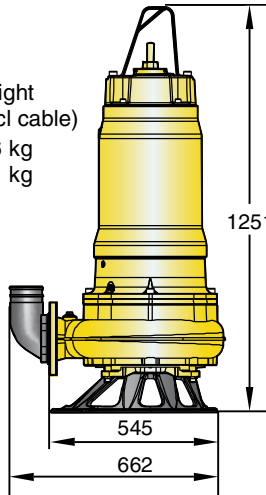
Motor  
3-phase

Motor protection  
thermal overload sensors

Electric cable  
20 m type H07RN-F

Free passage  
80 mm

Discharge connection  
hose 4" ,G 4"  
flanged DN 100



# PUMPEX SK 155

Pump Types	Motor P2 kW	Power input P1 max kW	Weight (excl cable)
<b>SK 155N-16</b>	16.0	17.8	358 kg
<b>SK 155N-22</b>	22.0	24.3	363 kg

Speed  
1460 rpm (N-16)  
1455 rpm (N-22)

Motor  
3-phase

Motor protection  
thermal overload sensors

Electric cable  
20 m type H07RN-F

Free passage  
80 mm

Discharge connection  
hose 6" ,G 6"  
flanged DN 150

