

Pump type: Submersible slurry pump  
 Application: Abrasive media

**Pump data**

Solids passage 55mm  
 Discharge / Suction diameter 65mm/ 72 mm  
 Impeller type: Vortex  
 Impeller diameter 150 mm  
 Recommended min. flow 2 l/sec (8 m3/h)  
 Weight 41 kg

**Motor**

Mains: 50 c/s – 3 phase  
 Rated shaft power 0.65 kW  
 Rated electrical power 0.94 kW  
 Nominal speed 1340 rpm  
 Motor efficiency 69 %  
 Power factor (cos phi) 0.79  
 Degree of protection IP 68  
 Isolation class F (155°C)  
 Max. water temperature 40°C  
 Standard cable length 10 m

**Materials**

Pump casing/ wear plate Nihard 4 (G-X300CrNiSi 9-5)  
 Impeller Nihard 4 (G-X300CrNiSi 9-5)  
 Motor unit Cast iron (GG 25 , EN-GJL-250)  
 Shaft AISI 431  
 Alt: AISI 316  
 Bolts AISI 316  
 Elastomers Nitrile (NBR) or neoprene (CR)  
 Alt: viton (FPM)  
 Electrical cable Neoprene (CR)  
 Seal lubrication Oil  
 Seal pump side Silicon carbide – silicon carbide  
 Seal motor side Carbon - Ceramic  
 Coating Two components polyurethane

**Installation options**

Header coupling BWK 065 of BWK 080

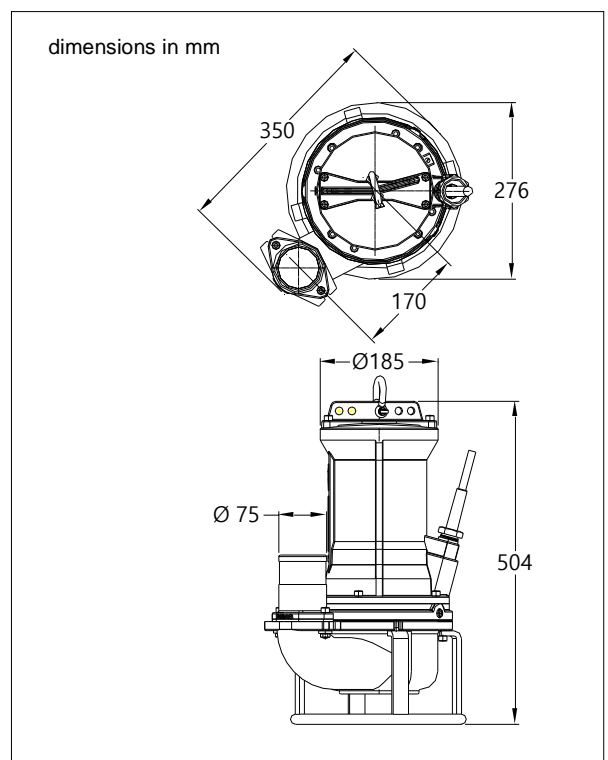
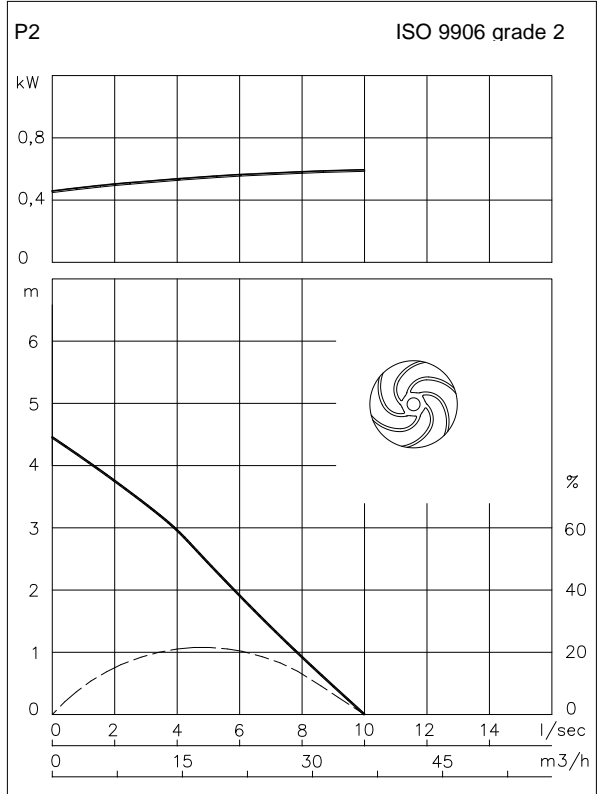


Freestanding Including support (VRS) 75 mm hose connection or G 3" threaded connection



**Optional**

- Flameproof version, to class:  
 Standard: II 2 G Ex b c d IIB T4 Gb  
 With Frequency control: II 2 G Ex b c d IIB T3 Gb
- Thermo switches in stator windings (standard for flame proof version)
- Cable protective sheathing (AISI 316)
- Water detector in motor and oil chamber  
 Flameproof version with external cable



**Connections**

voltage	current	Electrical cable size [mm2]		motor protection and/or water detector		flameproof version		
		direct start		direct start		direct start		
230	3.0	4G1.5		7G1.5		7G1.5		
400	1.7	4G1.5		7G1.5		7G1.5		
500	1.4	4G1.5		7G1.5		7G1.5		
starting current DOL start : 3.7 x rated current								
							* other voltages on request	