

Pump type: Submersible slurry pump
 Application: Abrasive media

Pump data

Solids passage: 65mm
 Discharge/ Suction diameter: 67mm/ 72 mm
 Impeller type: Vortex
 Impeller diameter: 170
 Recommended min. flow: 3.5 l/sec (8 m3/h)
 Weight: 78 kg

Motor

Mains: 50 c/s – 3 phase
 Rated shaft power: 1.5 kW
 Rated electrical power: 2.1 kW
 Nominal speed: 1420 rpm
 Motor efficiency: 71 %
 Power factor (cos phi): 0.84
 Degree of protection: IP 68
 Isolation class: F (155°C)
 Max. water temperature: 40°C
 Standard cable length: 10 m

Materials

Pump casing/ wear plate: Nihard 4 (G-X300CrNiSi 9-5)
 Impeller: Nihard 4 (G-X300CrNiSi 9-5)
 Motor unit: Cast iron (GG 25 , EN-GJL-250)
 Shaft: AISI 431
 Bolts: Alt: AISI 316
 Elastomers: AISI 316
 Nitrile (NBR) or neoprene (CR)
 Electrical cable: Alt: viton (FPM)
 Neoprene (CR)
 Seal lubrication: Oil
 Seal pump side: Silicon carbide – silicon carbide
 Seal motor side: Carbon - Ceramic
 Coating: Two components polyurethane

Installation options

Header coupling: BWK 065 of BWK 080



Bottom elbow coupling: OWK 080

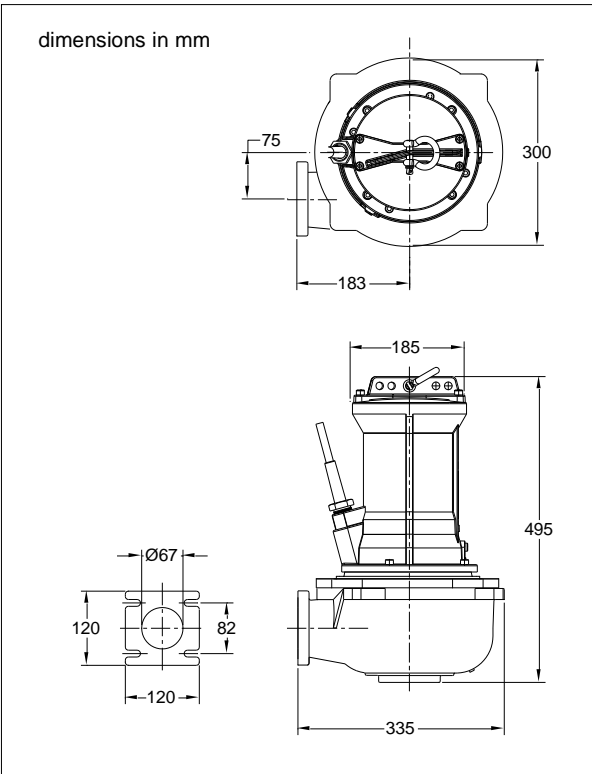
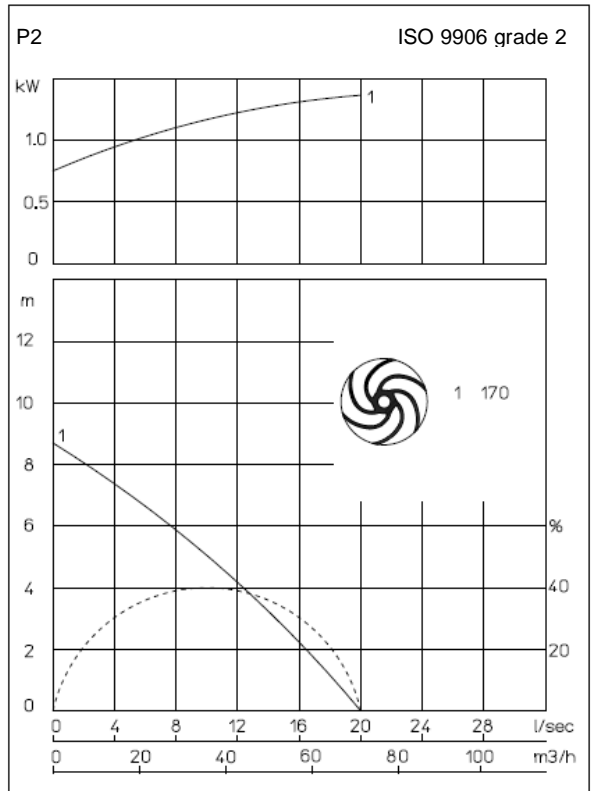


Freestanding Including support (VRS): 75 mm hose connection or G 3" threaded connection



Optional

- Flameproof version, to class: Standard: II 2 G Ex b c d IIB T4 Gb With Frequency control: II 2 G Ex b c d IIB T3 Gb
- Thermo switches in stator windings (standard for flame proof version)
- Cable protective sheathing (AISI 316)
- Water detector in motor and oil chamber
 Flameproof version with external cable



Connections

voltage [V]*	current [A]	Electrical cable size [mm²]		motor protection and/or water detector		flameproof version		
		direct start		direct start		direct start		
230	6.3	4G2.5		7G1.5		7G1.5		
400	3.6	4G2.5		7G1.5		7G1.5		
500	2.9	4G2.5		7G1.5		7G1.5		
starting current DOL start : 4.8 x rated current								
							* other voltages on request	