

Pump type: Submersible slurry pump  
 Application: Abrasive media

**Pump data**

Solids passage 65mm  
 Discharge/ Suction diameter 67mm/ 72 mm  
 Impeller type: Vortex  
 Impeller diameter 200  
 Recommended min. flow 3.5 l/sec (8 m3/h)  
 Weight 80 kg

**Motor**

Mains: 50 c/s – 3 phase  
 Rated shaft power 3.5 kW  
 Rated electrical power 4.5 kW  
 Nominal speed 1385 rpm  
 Motor efficiency 78 %  
 Power factor (cos phi) 0.85  
 Degree of protection IP 68  
 Isolation class F (155°C)  
 Max. water temperature 40°C  
 Standard cable length 10 m

**Materials**

Pump casing/ wear plate Nihard 4 (G-X300CrNiSi 9-5)  
 Impeller Nihard 4 (G-X300CrNiSi 9-5)  
 Motor unit Cast iron (GG 25 , EN-GJL-250)  
 Shaft AISI 431  
 Alt: AISI 316  
 Bolts AISI 316  
 Elastomers Nitrile (NBR) or neoprene (CR)  
 Alt: viton (FPM)  
 Neoprene (CR)  
 Electrical cable  
 Seal lubrication Oil  
 Seal pump side Silicon carbide – silicon carbide  
 Seal motor side Carbon - Ceramic  
 Coating Two components polyurethane

**Installation options**

Header coupling BWK 065 of BWK 080



Bottom elbow coupling OWK 080

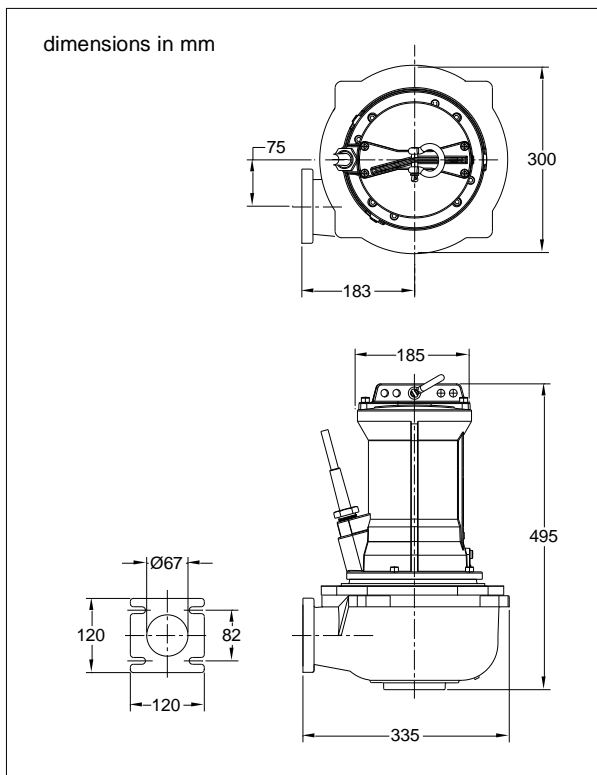
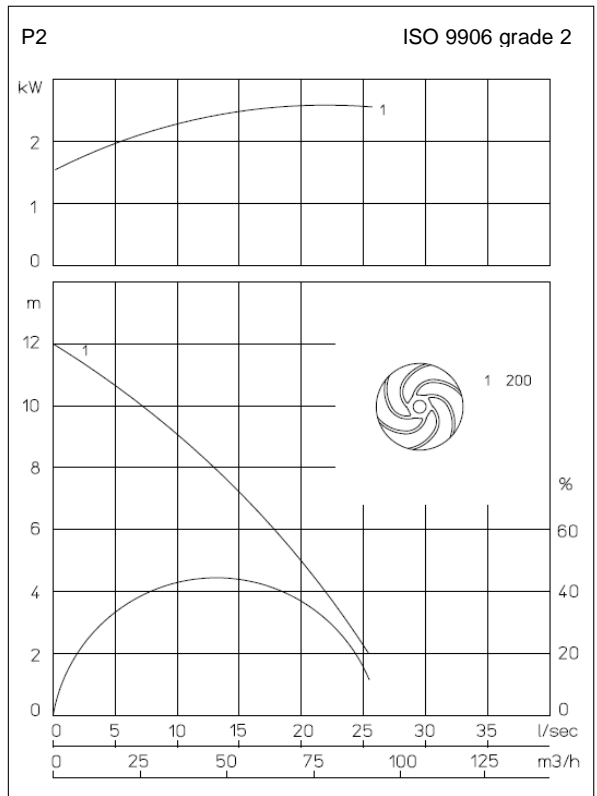


Freestanding Including support (VRS) 75 mm hose connection or G 3" threaded connection



**Optional**

- Flameproof version, to class:  
 Standard: II 2 G Ex b c d IIB T4 Gb  
 With Frequency control: II 2 G Ex b c d IIB T3 Gb
- Thermo switches in stator windings (standard for flame proof version)
- Cable protective sheathing (AISI 316)
- Water detector in motor and oil chamber  
 Flameproof version with external cable



**Connections**

| voltage [V]*                                     | current [A] | Electrical cable size [mm2] |                 | motor protection and/or water detector |                 | flameproof version |                             |  |
|--|-------------|-----------------------------|-----------------|--|-----------------|--------------------|-----------------------------|--|
|  |             | direct start                | stardelta start | direct start                           | stardelta start | direct start       | stardelta start             |  |
| 230  | 13.4        | 4G2.5                       | 7G1.5           | 7G1.5                                  | 12G1.5          | 7G1.5              | 12G1.5                      |  |
| 400  | 7.7         | 4G2.5                       | 7G1.5           | 7G1.5                                  | 12G1.5          | 7G1.5              | 12G1.5                      |  |
| 500  | 6.2         | 4G2.5                       | 7G1.5           | 7G1.5                                  | 12G1.5          | 7G1.5              | 12G1.5                      |  |
| starting current DOL start : 4.3 x rated current |             |                             |                 |  |                 |                    |                             |  |
| starting current YD start : 1.4 x rated current  |             |                             |                 |  |                 |                    |                             |  |
|  |             |                             |                 |  |                 |                    | * other voltages on request |  |