

Pump type: Submersible slurry pump
 Application: Abrasive media

Pump data

Solids passage 65 mm
 Discharge/ Suction diameter 67 mm/ 72 mm
 Impeller type: Vortex
 Impeller diameter 149 mm
 Recommended min. flow 3.5 l/sec (8 m3/h)
 Weight 92 kg

Motor

Mains: 50 c/s – 3 phase
 Rated shaft power 5.0 kW
 Rated electrical power 6.3 kW
 Nominal speed 2790 rpm
 Motor efficiency 82 %
 Power factor (cos phi) 0.90
 Degree of protection IP 68
 Isolation class F (155°C)
 Max. water temperature 40°C
 Standard cable length 10 m

Materials

Pump casing/ wear plate Nihard 4 (G-X300CrNiSi 9-5)
 Impeller Nihard 4 (G-X300CrNiSi 9-5)
 Motor unit Cast iron GG 25 (EN-GJL-250)
 Shaft AISI 431
 Alt: AISI 316
 Bolts AISI 316
 Elastomers Nitrile (NBR) or neoprene (CR)
 Alt: viton (FPM)
 Electrical cable Neoprene (CR)
 Seal lubrication Oil
 Seal pump side Silicon carbide – silicon carbide
 Seal motor side Carbon - Ceramic
 Coating Two components polyurethane

Installation options

Header coupling BWK 080



Bottom elbow coupling OWK 080

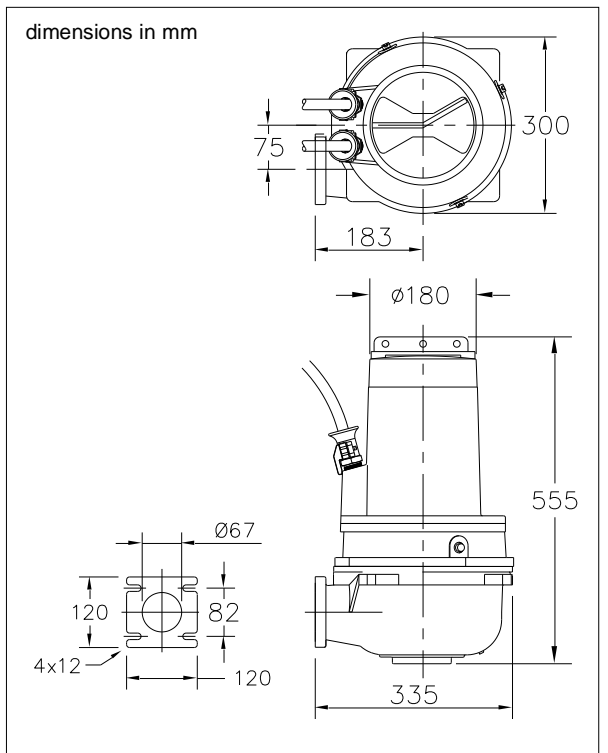
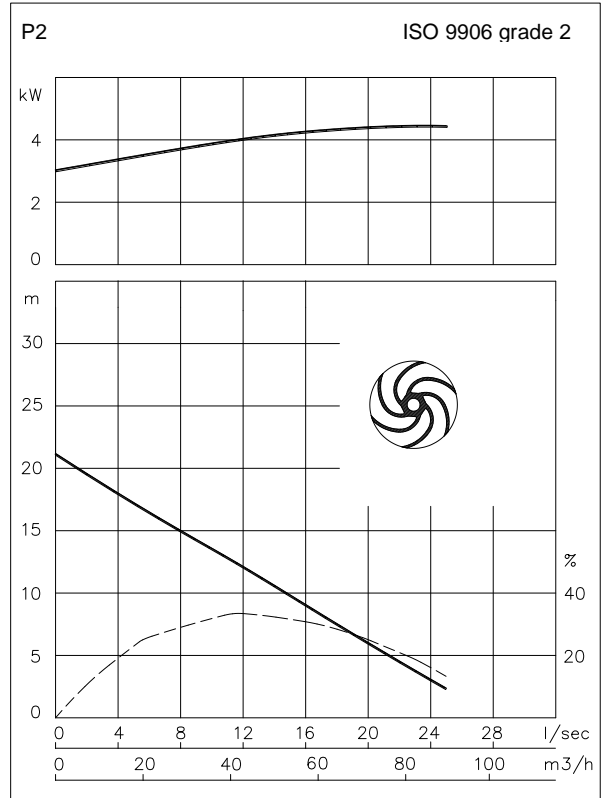


Freestanding Including support (VRS) 75 mm hose connection



Optional

- Flameproof version, to class: II 2 G Ex d IIB c T4
 Standard: II 2 G Ex b c d IIB T4 Gb
 With Frequency control: II 2 G Ex b c d IIB T3 Gb
- Thermo switches in stator windings (standard for flame proof version)
- Cable protective sheathing (AISI 316)
- Water detector in motor and oil chamber
 Flameproof version with external cable



Connections

voltage	current	Electrical cable size [mm2]		motor protection and/or water detector		flameproof version		
		direct start	stardelta start	direct start	stardelta start	direct start	stardelta start	
230	17.0	4G2.5	7G1.5	7G2.5	12G1.5	7G2.5	12G1.5	
400	9.8	4G2.5	7G1.5	7G1.5	12G1.5	7G1.5	12G1.5	
500	7.8	4G2.5	7G1.5	7G1.5	12G1.5	7G1.5	12G1.5	
starting current DOL start : 6.2 x rated current								
starting current YD start : 2.1 x rated current								
							* other voltages on request	