

Pump type: Submersible slurry pump  
 Application: Abrasive media

**Pump data**

Solids passage 80 mm  
 Discharge/ Suction diameter 100 mm/ 100 mm  
 Impeller type: Vortex  
 Impeller diameter 190 mm  
 Recommended min. flow 6 l/sec (21 m3/h)  
 Weight 105 kg

**Motor**

Mains: 50 c/s – 3 phase  
 Rated shaft power 5.0 kW  
 Rated electrical power 6.3 kW  
 Nominal speed 1420 rpm  
 Motor efficiency 78 %  
 Power factor (cos phi) 0.82  
 Degree of protection IP 68  
 Isolation class F (155°C)  
 Max. water temperature 40°C  
 Standard cable length 10 m

**Materials**

Pump casing/ wear plate Nihard 4 (G-X300CrNiSi 9-5)  
 Impeller Nihard 4 (G-X300CrNiSi 9-5)  
 Motor unit Cast iron GG 25 (EN-GJL-250)  
 Shaft AISI 431  
 Bolts Alt: AISI 316  
 AISI 316  
 Elastomers Nitrile (NBR) or neoprene (CR)  
 Alt: viton (FPM)  
 Electrical cable Neoprene (CR)  
 Seal lubrication Oil  
 Seal pump side Silicon carbide – silicon carbide  
 Seal motor side Carbon - Ceramic  
 Coating Two components polyurethane

**Installation options**

Header coupling BWK 100



Bottom elbow coupling OWK 100

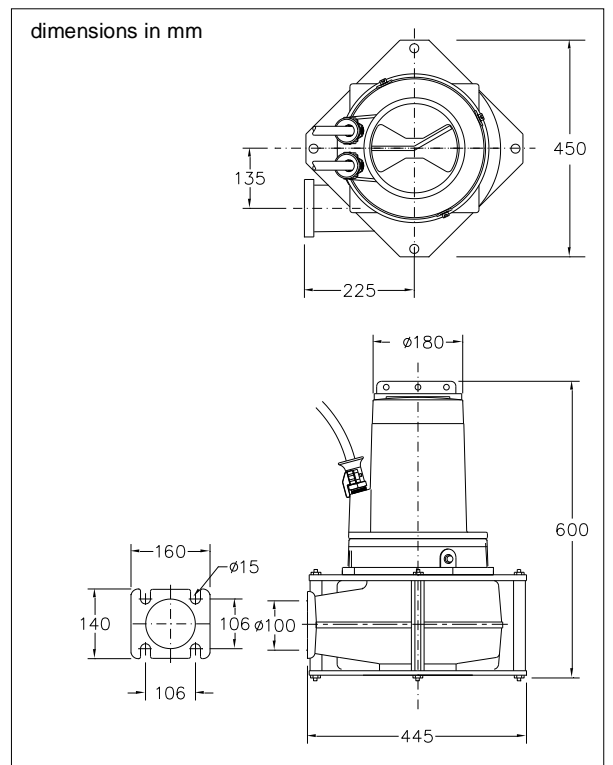
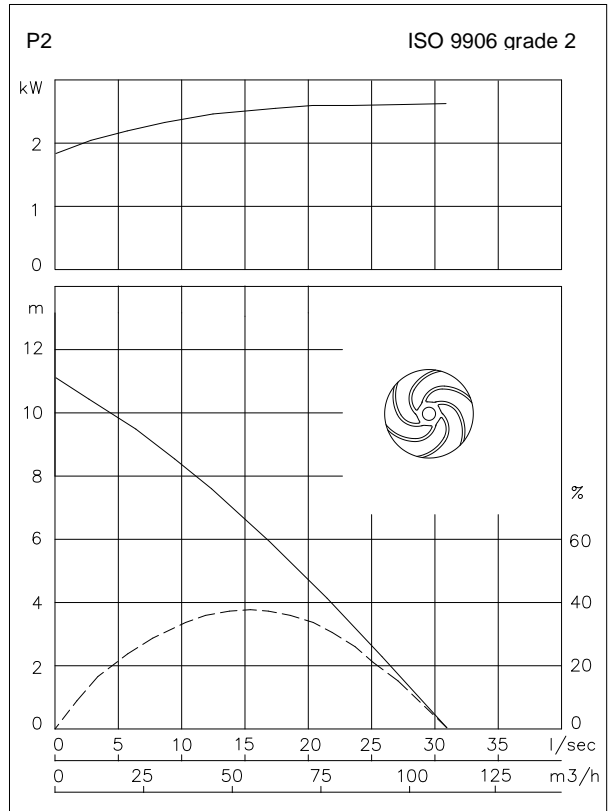


Freestanding Including support (VRS) NW100 flanged elbow or 100 mm hose connection



**Optional**

- Version with agitator, see DNP42-31DJ
- Flameproof version, to class: II 2 G Ex d IIB c T4  
 Standard: II 2 G Ex b c d IIB T4 Gb  
 With Frequency control: II 2 G Ex b c d IIB T3 Gb
- Thermo switches in stator windings (standard for flame proof version)
- Cable protective sheathing (AISI 316)
- Water detector in motor and oil chamber  
 Flameproof version with external cable



**Connections**

voltage	current	Electrical cable size [mm <sup>2</sup> ]		motor protection and/or water detector		flameproof version		
		direct start	stardelta start	direct start	stardelta start	direct start	stardelta start	
[V]*	[A]							
230	19.5	4G2.5	7G1.5	7G2.5	12G1.5	7G2.5	12G1.5	
400	11.2	4G2.5	7G1.5	7G1.5	12G1.5	7G1.5	12G1.5	
500	9.0	4G2.5	7G1.5	7G1.5	12G1.5	7G1.5	12G1.5	
starting current DOL start : 5.0 x rated current								
starting current YD start : 1.7 x rated current								
							* other voltages on request	