

Pump type: Submersible slurry pump with agitator

Application: Abrasive media

Pump data

Solids passage 30 mm
 Discharge/ Suction diameter 100 mm/ 100 mm
 Impeller type: Vortex
 Impeller diameter 190 mm
 Recommended min. flow 6 l/sec (21 m3/h)
 Weight 110 kg

Motor

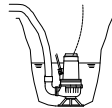
Mains: 50 c/s – 3 phase
 Rated shaft power 5.0 kW
 Rated electrical power 6.3 kW
 Nominal speed 1420 rpm
 Motor efficiency 79 %
 Power factor (cos phi) 0.82
 Degree of protection IP 68
 Isolation class F (155°C)
 Max. water temperature 40°C
 Standard cable length 10 m

Materials

Pump casing + wear plate Nihard 4 (G-X300CrNiSi 9-5)
 Impeller + agitator Nihard 4 (G-X300CrNiSi 9-5)
 Motor unit Cast iron GG 25 (EN-GJL-250)
 Shaft AISI 431
 Alt: AISI 316
 Bolts AISI 316
 Elastomers Nitrile (NBR) or neoprene (CR)
 Alt: viton (FPM)
 Neoprene (CR)
 Electrical cable
 Seal lubrication Oil
 Seal pump side Silicon carbide – silicon carbide
 Seal motor side Carbon - Ceramic
 Coating Two components polyurethane

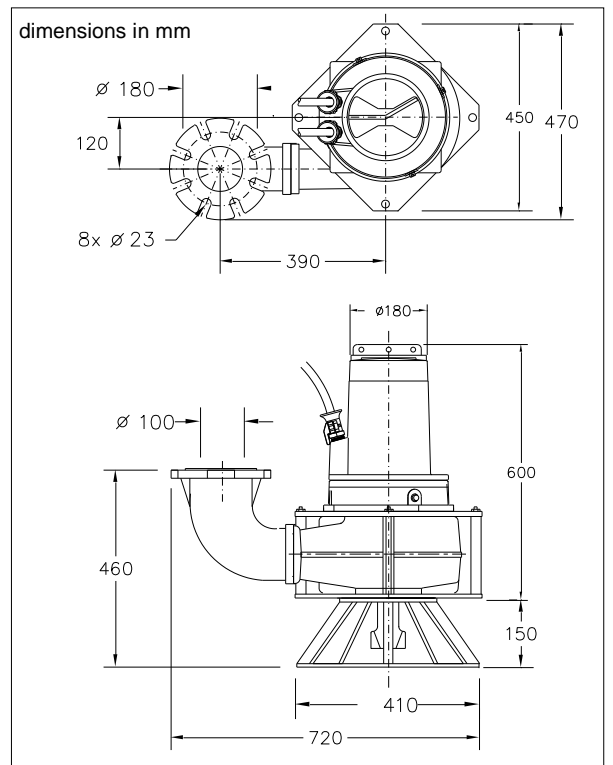
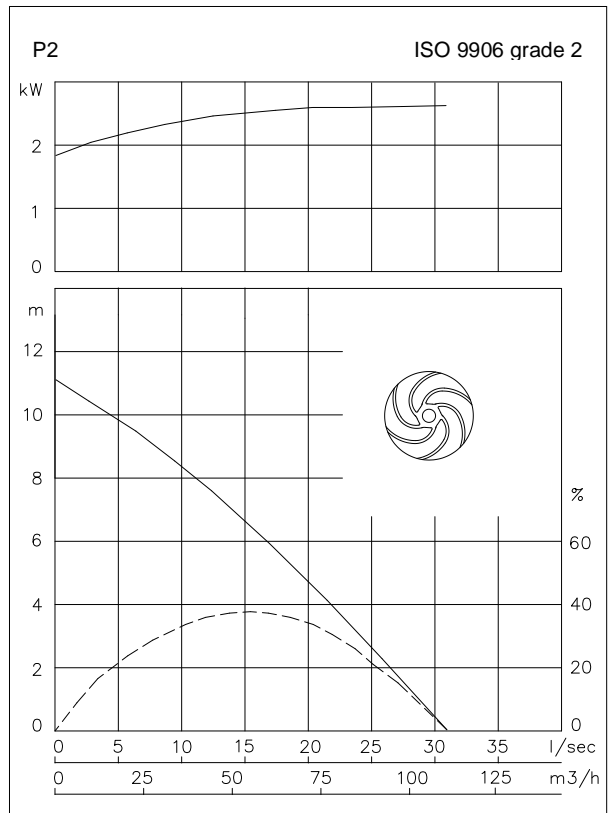
Installation

Freestanding NW100 flanged elbow
 Including support (VRS)



Optional

- Version without agitator, see DNP42-30DJ
- Flameproof version, to class: II 2 G Ex d IIB c T4
 Standard: II 2 G Ex b c d IIB T4 Gb
 With Frequency control: II 2 G Ex b c d IIB T3 Gb
- Thermo switches in stator windings (standard for flame proof version)
- Cable protective sheathing (AISI 316)
- Water detector in motor and oil chamber
 Flameproof version with external cable



Connections

voltage	current	Electrical cable size [mm ²]		motor protection and/or water detector		flameproof version	
		direct start	stardelta start	direct start	stardelta start	direct start	stardelta start
[V]*	[A]						
230	19.5	4G2.5	7G1.5	7G2.5	12G1.5	7G2.5	12G1.5
400	11.2	4G2.5	7G1.5	7G1.5	12G1.5	7G1.5	12G1.5
500	9.0	4G2.5	7G1.5	7G1.5	12G1.5	7G1.5	12G1.5
starting current DOL start : 5.0 x rated current							
starting current YD start : 1.7 x rated current				* other voltages on request			