

Pump type: Submersible slurry pump with agitator

Application: Abrasive media

Pump data

Solids passage 50 mm
 Discharge/ Suction diameter 150 mm/ 145 mm
 Impeller type: Vortex
 Impeller diameter 330 mm
 Recommended min. flow 13 l/sec (47 m3/h)
 Weight 380 kg

Motor

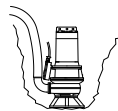
Mains: 50 c/s – 3 phase
 Rated shaft power 48.0 kW
 Rated electrical power 54.5 kW
 Nominal speed 1460 rpm
 Motor efficiency 88 %
 Power factor (cos phi) 0.86
 Degree of protection IP 68
 Isolation class F (155°C)
 Max. water temperature 40°C
 Standard cable length 10 m

Materials

Pump casing + wear plate Nihard 4 (G-X300CrNiSi 9-5)
 Impeller + agitator Nihard 4 (G-X300CrNiSi 9-5)
 Motor unit Cast iron GG 25 (EN-GJL-250)
 Shaft AISI 431
 Alt: AISI 316
 Bolts AISI 316
 Elastomers Nitrile (NBR) or neoprene (CR)
 Alt: viton (FPM)
 Neoprene (CR)
 Electrical cable Oil
 Seal lubrication Silicon carbide – silicon carbide
 Seal pump side Carbon - Ceramic
 Seal motor side Two components polyurethane
 Coating

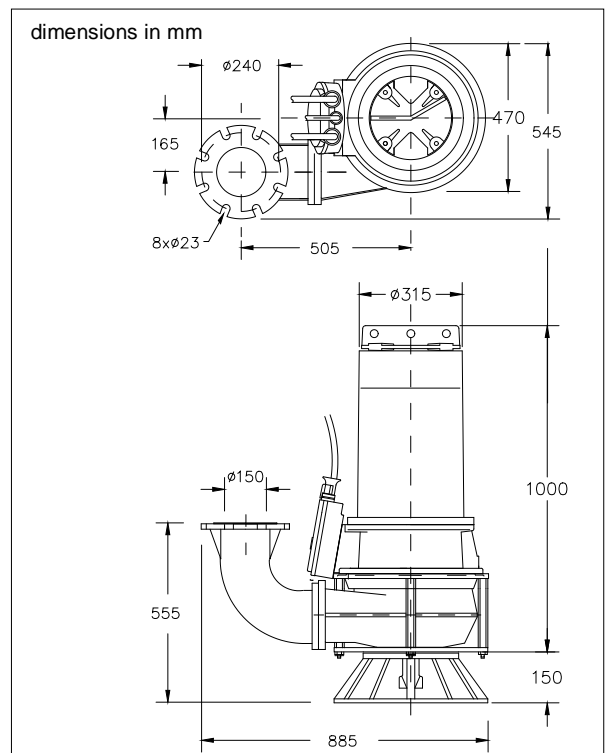
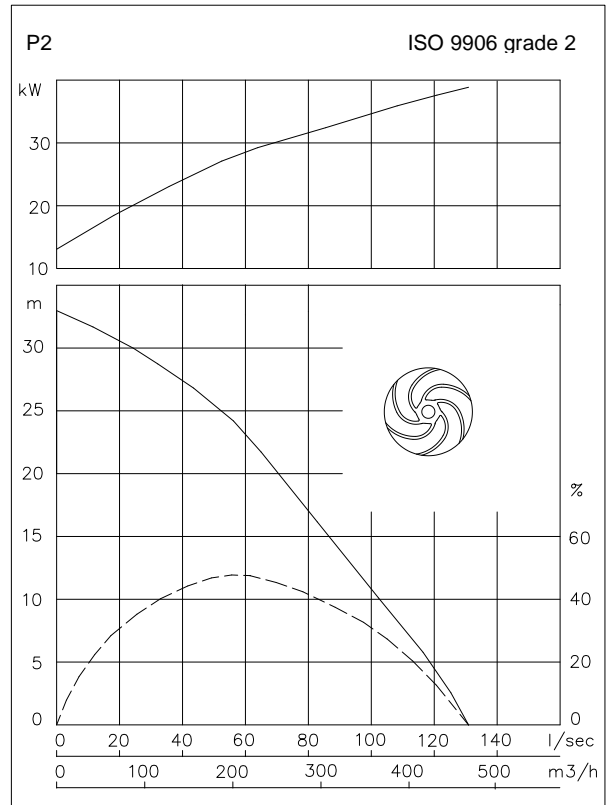
Installation

Freestanding including support (VRS) NW150 flanged elbow



Optional

- Version without agitator, see DNP62-40LL
 Version with slim-line pump casing and agitator, see DNP62-42LL
- Flameproof version, to class: II 2 G Ex d IIB c T4
 Standard: II 2 G Ex b c d IIB T4 Gb
 With Frequency control: II 2 G Ex b c d IIB T3 Gb
- Cable protective sheathing (AISI 316)
- Water detector in motor and oil chamber
 Flameproof version with external cable



Connections

voltage [V]*	current [A]	Electrical cable size [mm²]			
		motor protection and/or water detector		flameproof version	
		direct start	stardelta start	direct start	stardelta start
230	159.2	-	-	-	-
400	91.5	-	2x4G16 + 4G2.5	-	2x4G16 + 4G2.5
500	73.2	-	2x4G10 + 4G2.5	-	2x4G10 + 4G2.5
starting current DOL start : 4.4 x rated current					
starting current YD start : 1.5 x rated current					
					* other voltages on request