

Pump type: Submersible slurry pump with agitator

Application: Abrasive media

Pump data

Solids passage 50 mm
 Discharge/ Suction diameter 150 mm/ 145 mm
 Impeller type: Vortex
 Impeller diameter 242 mm
 Recommended min. flow 13 l/sec (47 m3/h)
 Weight 340 kg

Motor

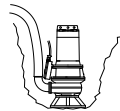
Mains: 50 c/s – 3 phase
 Rated shaft power 22.0 kW
 Rated electrical power 26.2 kW
 Nominal speed 1430 rpm
 Motor efficiency 84 %
 Power factor (cos phi) 0.82
 Degree of protection IP 68
 Isolation class F (155°C)
 Max. water temperature 40°C
 Standard cable length 10 m

Materials

Pump casing + wear plate Nihard 4 (G-X300CrNiSi 9-5)
 Impeller + agitator Nihard 4 (G-X300CrNiSi 9-5)
 Motor unit Cast iron GG 25 (EN-GJL-250)
 Shaft AISI 431
 Bolts Alt: AISI 316
 AISI 316
 Elastomers Nitrile (NBR) or neoprene (CR)
 Alt: viton (FPM)
 Electrical cable Neoprene (CR)
 Seal lubrication Oil
 Seal pump side Silicon carbide – silicon carbide
 Seal motor side Carbon - Ceramic
 Coating Two components polyurethane

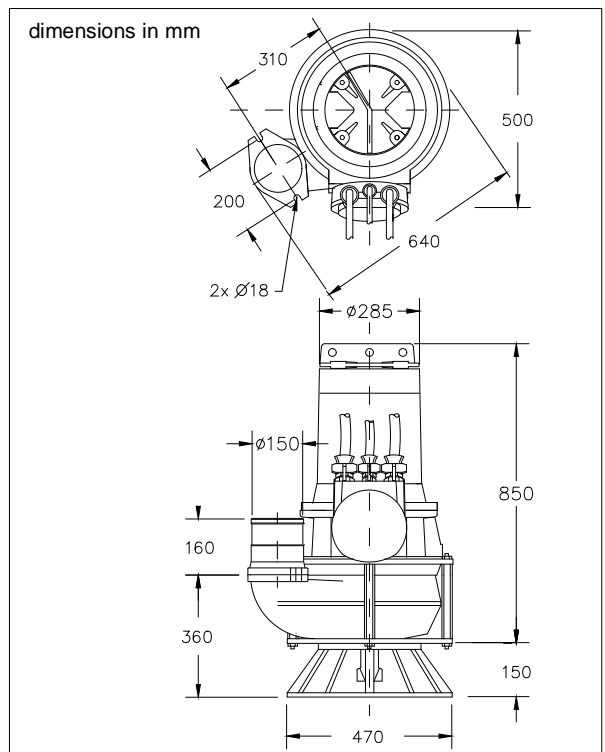
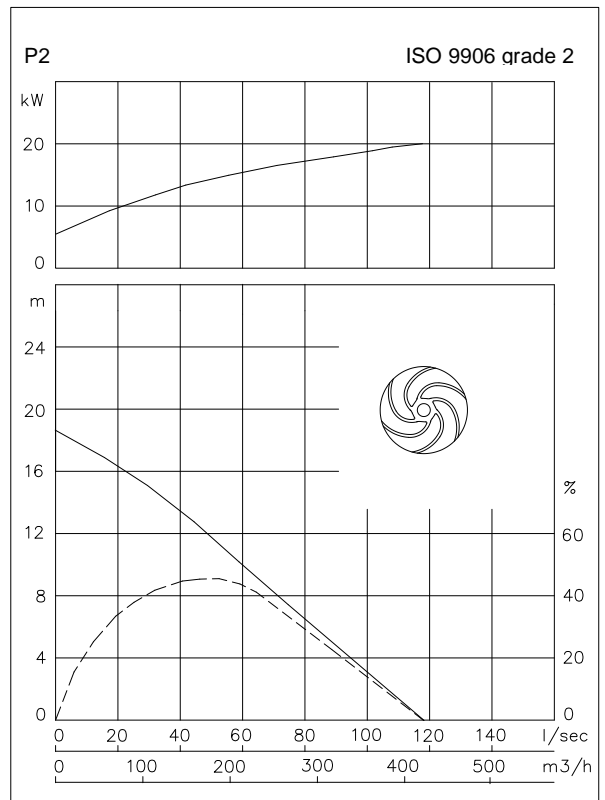
Installation

Freestanding 150 mm hose connection
 including support (VRS)



Optional

- Version without agitator, see DNP62-40LF
 Version with standard pump casing and agitator, see DNP62-41LF
- Flameproof version, to class: II 2 G Ex d IIB c T4
 Standard: II 2 G Ex b c d IIB T4 Gb
 With Frequency control: II 2 G Ex b c d IIB T3 Gb
- Cable protective sheathing (AISI 316)
- Water detector in motor and oil chamber
 Flameproof version with external cable



Connections

voltage	current	Electrical cable size [mm2]			
		motor protection and/or water detector		flameproof version	
[V]*	[A]	direct start	stardelta start	direct start	stardelta start
230	80.2	-	2x4G10 + 4G2.5	-	2x4G10 + 4G2.5
400	46.1	4G10 + 4G2.5	4G6 + 4G2.5	4G10 + 4G2.5	4G6 + 4G2.5
500	36.9	4G6 + 4G2.5	4G6 + 4G2.5	4G6 + 4G2.5	4G6 + 4G2.5
starting current DOL start : 5.7 x rated current					
starting current YD start : 1.9 x rated current					

* other voltages on request