

Pump type: Submersible slurry pump with agitator

Application: Abrasive media

Pump data

Solids passage 50 mm
 Discharge/ Suction diameter 150 mm/ 145 mm
 Impeller type: Vortex
 Impeller diameter 295 mm
 Recommended min. flow 13 l/sec (47 m3/h)
 Weight 360 kg

Motor

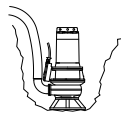
Mains: 50 c/s – 3 phase
 Rated shaft power 34.0 kW
 Rated electrical power 39.5 kW
 Nominal speed 144 0 rpm
 Motor efficiency 86 %
 Power factor (cos phi) 0.86
 Degree of protection IP 68
 Isolation class F (155°C)
 Max. water temperature 40°C
 Standard cable length 10 m

Materials

Pump casing + wear plate Nihard 4 (G-X300CrNiSi 9-5)
 Impeller + agitator Nihard 4 (G-X300CrNiSi 9-5)
 Motor unit Cast iron GG 25 (EN-GJL-250)
 Shaft AISI 431
 Alt: AISI 316
 Bolts AISI 316
 Elastomers Nitrile (NBR) or neoprene (CR)
 Alt: viton (FPM)
 Electrical cable Neoprene (CR)
 Seal lubrication Oil
 Seal pump side Silicon carbide – silicon carbide
 Seal motor side Carbon - Ceramic
 Coating Two components polyurethane

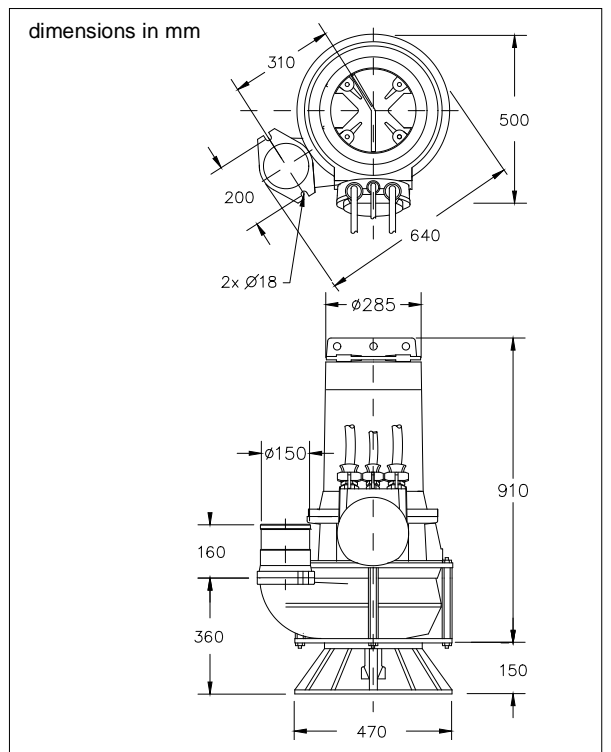
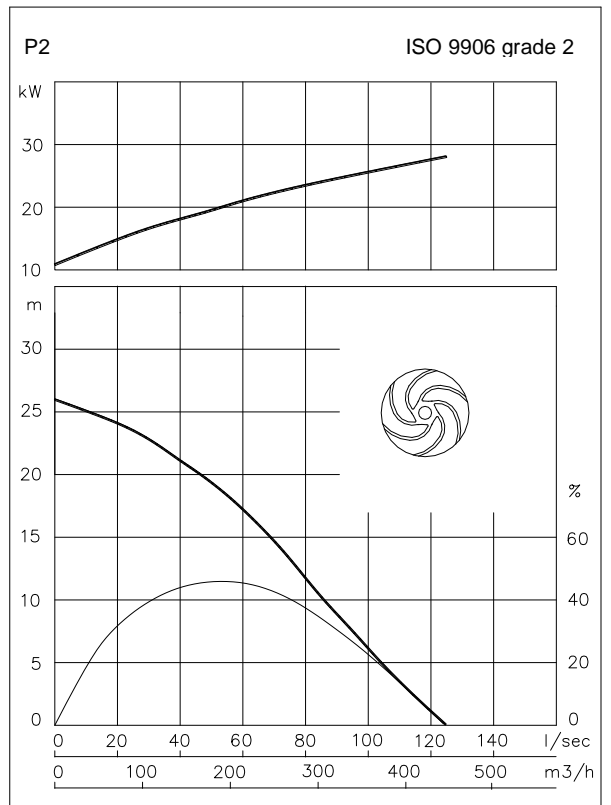
Installation

Freestanding 150 mm hose connection
 including support (VRS)



Optional

- Version without agitator, see DNP62-40LI
 Version with standard pump casing and agitator, see DNP62-41LI
- Flameproof version, to class: II 2 G Ex d IIB c T4
 Standard: II 2 G Ex b c d IIB T4 Gb
 With Frequency control: II 2 G Ex b c d IIB T3 Gb
- Cable protective sheathing (AISI 316)
- Water detector in motor and oil chamber
 Flameproof version with external cable



Connections

voltage	current	Electrical cable size [mm ²]			
		motor protection and/or water detector		flameproof version	
[V]*	[A]	direct start	stardelta start	direct start	stardelta start
230	115.5	-	2x4G16 + 4G2.5	-	2x4G16 + 4G2.5
400	66.4	4G16 + 4G2.5	2x4G10 + 4G2.5	4G16 + 4G2.5	2x4G10 + 4G2.5
500	53.1	4G16 + 4G2.5	2x4G6 + 4G2.5	4G16 + 4G2.5	2x4G6 + 4G2.5
starting current DOL start : 4.5 x rated current					
starting current YD start : 1.5 x rated current					
					* other voltages on request