

Pump type: Submersible pump  
 Application: Waste water, sewage

**Pump data**

Solids passage: 80 mm  
 Discharge/ Suction: NW80 /NW100  
 Impeller type: closed screw  
 Impeller diameter: 175 - 205 mm  
 Recommended min. flow: 3.5 l/sec (13 m3/h)  
 Weight: 102 kg

**Motor**

Mains: 50 c/s – 3 phase  
 Rated shaft power: 5.0 kW  
 Rated electrical power: 6.3 kW  
 Nominal speed: 1420 rpm  
 Motor efficiency: 79 %  
 Power factor (cos phi): 0.82  
 Degree of protection: IP 68  
 Isolation class: F (155°C)  
 Max. water temperature: 40°C  
 Standard cable length: 10 m

**Materials**

Pump casing: Cast iron GG 25 (EN-GJL-250)  
 Impeller: S.g cast iron GGG 40 (EN-GJS-400-15)  
 Motor unit: Cast iron GG 25 (EN-GJL-250)  
 Shaft: AISI 431  
 Bolts: Alt: AISI 316  
 Elastomers: AISI 316  
 Electrical cable: Nitrile (NBR) or neoprene (CR)  
 Seal lubrication: Alt: viton (FPM)  
 Seal pump side: Neoprene (CR)  
 Seal motor side: Oil  
 Coating: Silicon carbide – Silicon carbide  
 Carbon – Ceramic  
 Two components polyurethane

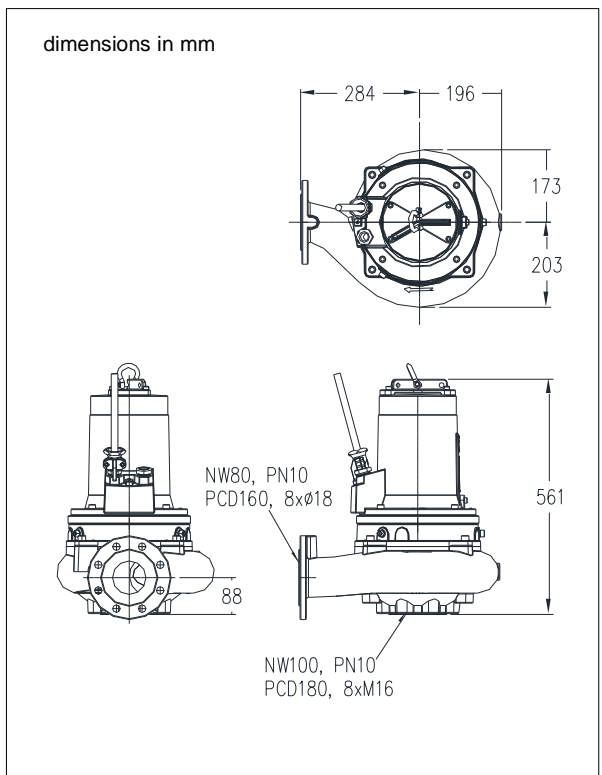
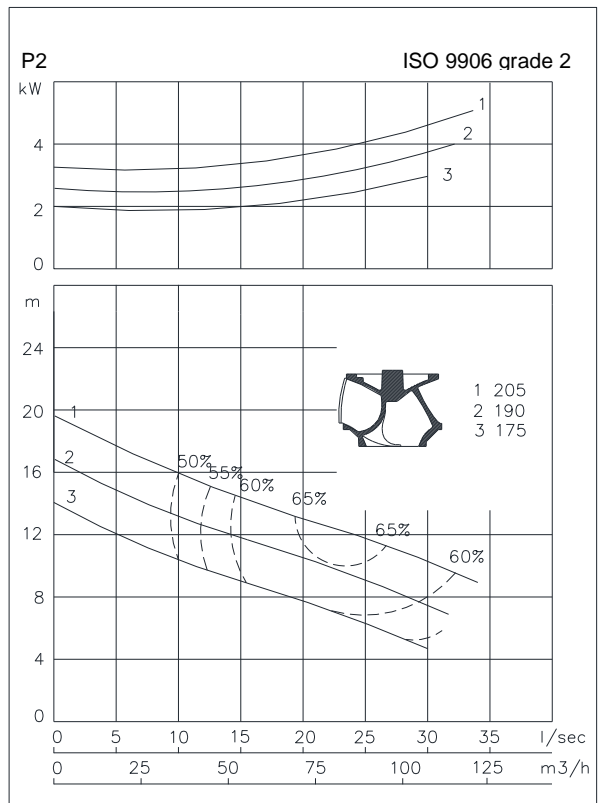
**Installation options**

Header coupling: BWK080 or BWK100  
 Guide bar coupling: OWK 080-N  
 Freestanding: 75 or 100mm hose  
 Including support (VRS): connection or G3" or G4" threaded connection  
 Dry Installation: vertical or horizontal  
 Including cooling system: discharge flange NW80 (ODO) suction flange NW100



**Optional**

- Flameproof version, to class: II 2 G Ex d IIB c T4  
 Standard: II 2 G Ex b c d IIB T4 Gb  
 With Frequency control: II 2 G Ex b c d IIB T3 Gb
- Thermo switches in stator windings
- Cable protective sheathing (AISI 316)
- Water detector in motor and oil chamber
- Version with cooling system



**Connections**

voltage [V]*	current [A]	Electrical cable size [mm <sup>2</sup> ]		motor protection and/or water detector		flameproof version	
		direct start	stardelta start	direct start	stardelta start	direct start	stardelta start
230	19.5	4G2.5	7G1.5	7G2.5	12G1.5	7G2.5	12G1.5
400	11.2	4G2.5	7G1.5	7G1.5	12G1.5	7G1.5	12G1.5
500	9.0	4G2.5	7G1.5	7G1.5	12G1.5	7G1.5	12G1.5
starting current DOL start : 5.0 x rated current							
starting current YD start : 1.7 x rated current							
				* other voltages on request			