

Pump type: Submersible pump
 Application: Waste water, sewage

Pump data

Solids passage: 80 mm
 Discharge/ Suction: NW80 /NW100
 Impeller type: closed screw
 Impeller diameter: 200 - 218 mm
 Recommended min. flow: 3.5 l/sec (13 m3/h)
 Weight: 102 kg

Motor

Mains: 50 c/s – 3 phase
 Rated shaft power: 6.0 kW
 Rated electrical power: 7.7 kW
 Nominal speed: 1395 rpm
 Motor efficiency: 78 %
 Power factor (cos phi): 0.85
 Degree of protection: IP 68
 Isolation class: F (155°C)
 Max. water temperature: 40°C
 Standard cable length: 10 m

Materials

Pump casing: Cast iron GG 25 (EN-GJL-250)
 Impeller: S.g cast iron GGG 40 (EN-GJS-400-15)
 Motor unit: Cast iron GG 25 (EN-GJL-250)
 Shaft: AISI 431
 Bolts: Alt: AISI 316
 Elastomers: AISI 316
 Nitrile (NBR) or neoprene (CR)
 Alt: viton (FPM)
 Neoprene (CR)
 Electrical cable: Neoprene (CR)
 Seal lubrication: Oil
 Seal pump side: Silicon carbide – Silicon carbide
 Seal motor side: Carbon – Ceramic
 Coating: Two components polyurethane

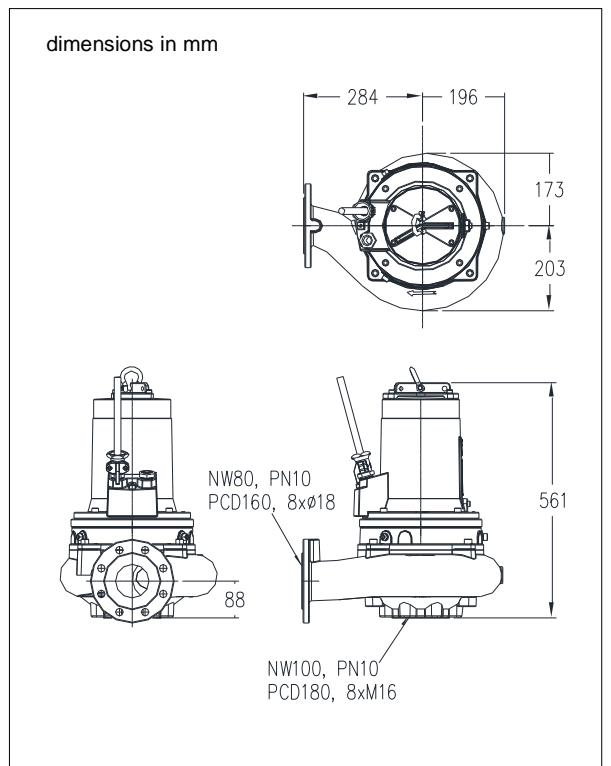
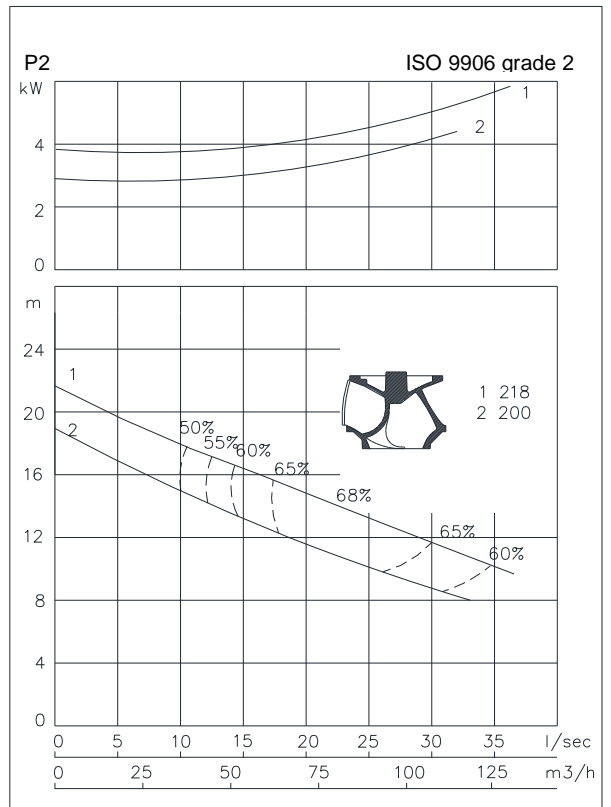
Installation options

Header coupling: BWK080 or BWK100
 Guide bar coupling: OWK 080-N
 Freestanding: 75 or 100mm hose
 Including support (VRS): connection or G3" or G4" threaded connection
 Dry Installation: vertical or horizontal
 Including cooling system (ODO): discharge flange NW80 suction flange NW100



Optional

- Flameproof version, to class: II 2 G Ex d IIB c T4
 Standard: II 2 G Ex b c d IIB T4 Gb
 With Frequency control: II 2 G Ex b c d IIB T3 Gb
- Thermo switches in stator windings
- Cable protective sheathing (AISI 316)
- Water detector in motor and oil chamber
- Version with cooling system



Connections

voltage [V]*	current [A]	Electrical cable size [mm ²]		motor protection and/or water detector		flameproof version		
		direct start	stardelta start	direct start	stardelta start	direct start	stardelta start	
230	22.9	4G6	7G1.5	7G6 + 4G1.5	12G1.5	7G6 + 4G2.5	12G1.5	
400	13.1	4G2.5	7G1.5	7G1.5	12G1.5	7G1.5	12G1.5	
500	10.5	4G2.5	7G1.5	7G1.5	12G1.5	7G1.5	12G1.5	
starting current DOL start : 4.2 x rated current								
starting current YD start : 1.4 x rated current								
							* other voltages on request	