

Pump type: Submersible pump
 Application: Waste water, sewage

Pump data

Solids passage: 80 mm
 Discharge/ Suction: NW80 /NW100
 Impeller type: closed screw
 Impeller diameter: 180 - 220 mm
 Recommended min. flow: 3.5 l/sec (13 m3/h)
 Weight: 90 kg

Motor

Mains: 50 c/s – 3 phase
 Rated shaft power: 2.4 kW
 Rated electrical power: 3.2 kW
 Nominal speed: 960 rpm
 Motor efficiency: 75 %
 Power factor (cos phi): 0.81
 Degree of protection: IP 68
 Isolation class: F (155°C)
 Max. water temperature: 40°C
 Standard cable length: 10 m

Materials

Pump casing: Cast iron GG 25 (EN-GJL-250)
 Impeller: S.g cast iron GGG 40 (EN-GJS-400-15)
 Motor unit: Cast iron GG 25 (EN-GJL-250)
 Shaft: AISI 431
 Bolts: Alt: AISI 316
 Elastomers: AISI 316
 Electrical cable: Nitrile (NBR) or neoprene (CR)
 Seal lubrication: Oil
 Seal pump side: Neoprene (CR)
 Seal motor side: Silicon carbide – Silicon carbide
 Coating: Carbon – Ceramic
 Two components polyurethane

Installation options

Header coupling: BWK080 or BWK100

Guide bar coupling: OWK 080-N

Freestanding: 75 or 100mm hose

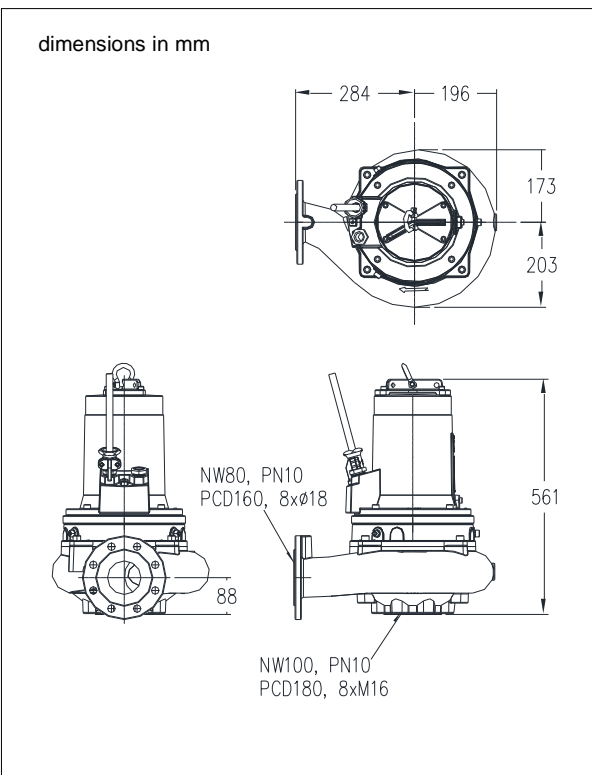
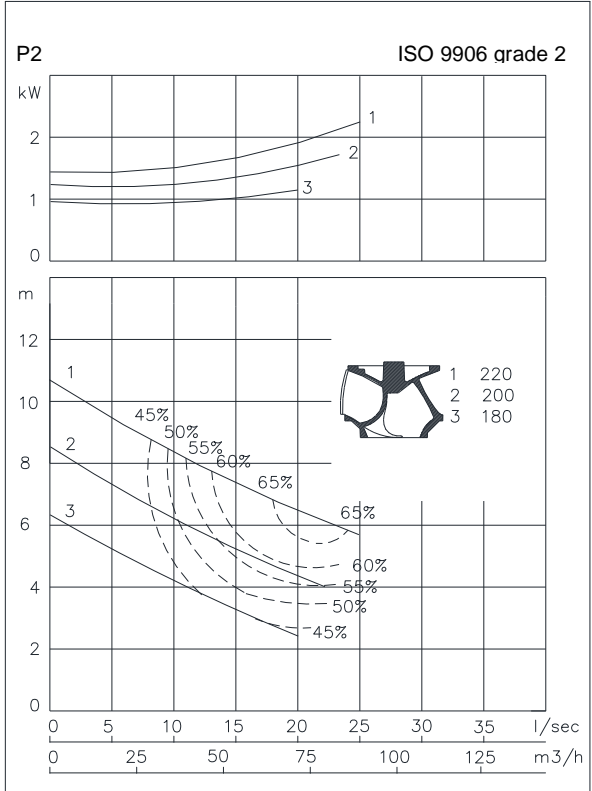
Including support (VRS): connection or G3" or G4" threaded connection

Dry Installation: vertical or horizontal
 Including cooling system: discharge flange NW80
 (ODO): suction flange NW100



Optional

- Flameproof version, to class: II 2 G Ex d IIB c T4
 Standard: II 2 G Ex b c d IIB T4 Gb
 With Frequency control: II 2 G Ex b c d IIB T3 Gb
- Thermo switches in stator windings
- Cable protective sheathing (AISI 316)
- Water detector in motor and oil chamber
- Version with cooling system



Connections

voltage [V]*	current [A]	Electrical cable size [mm ²]		motor protection and/or water detector		flameproof version	
		direct start	stardelta start	direct start	stardelta start	direct start	stardelta start
230	9.9	4G2.5	7G1.5	7G1.5	12G1.5	7G1.5	12G1.5
400	5.7	4G2.5	7G1.5	7G1.5	12G1.5	7G1.5	12G1.5
500	4.6	4G2.5	7G1.5	7G1.5	12G1.5	7G1.5	12G1.5
starting current DOL start : 6.0 x rated current							
starting current YD start : 2.0 x rated current							
						* other voltages on request	