

Pump type: Submersible pump  
 Application: Waste water, sewage

**Pump data**

Solids passage: 100 mm  
 Discharge/ Suction: NW100 /NW125, PN10  
 Impeller type: closed screw  
 Impeller diameter: 210 - 235 mm  
 Recommended min. flow: 6 l/sec (21 m3/h)  
 Weight: 148 kg


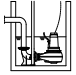

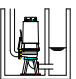
**Motor**

Mains: 50 c/s – 3 phase  
 Rated shaft power: 10.5 kW  
 Rated electrical power: 12.5 kW  
 Nominal speed: 1420 rpm  
 Motor efficiency: 84 %  
 Power factor (cos phi): 0.85  
 Degree of protection: IP 68  
 Isolation class: F (155°C)  
 Max. water temperature: 40°C  
 Standard cable length: 10 m

**Materials**

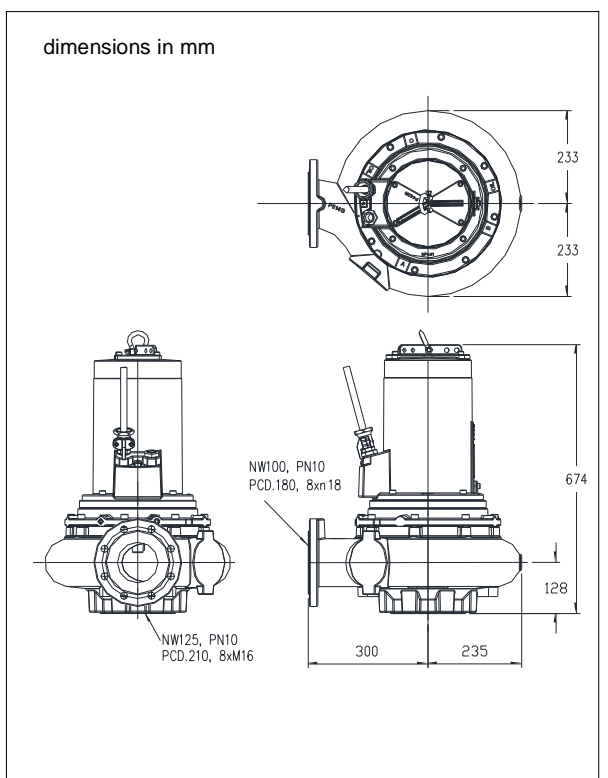
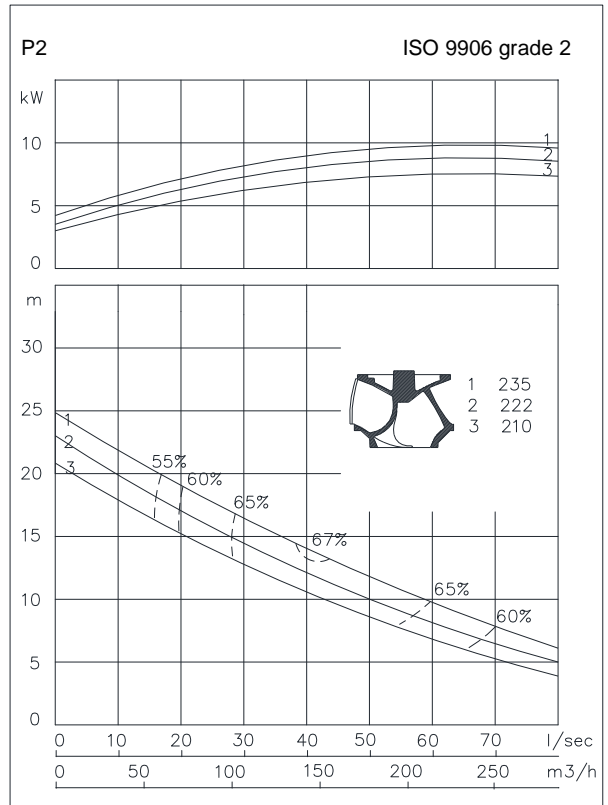
Pump casing: Cast iron GG 25 (EN-GJL-250)  
 Impeller: S.g cast iron GGG 40 (EN-GJS-400-15)  
 Motor unit: Cast iron GG 25 (EN-GJL-250)  
 Shaft: AISI 431  
 Bolts: Alt: AISI 316  
 Elastomers: AISI 316  
 Nitrile (NBR) or Neoprene (CR)  
 Viton (FPM)  
 Neoprene (CR)  
 Seal lubrication: Oil  
 Seal pump side: Silicon carbide – Silicon carbide - FPM  
 Seal motor side: Carbon – Ceramic - NBR  
 Coating: Two components Polyurethane

**Installation options**

Header coupling: BWK 100   
 Guide bar coupling: OWK 100-N   
 Freestanding Including support (VRS): 100mm hose connection or G 4" threaded connection   
 Dry Installation Including cooling system (ODO): vertical or horizontal install. discharge flange NW100 suction flange NW125 

**Optional**

- Flameproof version, to class: II 2 G Ex d IIB c T4  
 Standard: II 2 G Ex b c d IIB T4 Gb  
 With Frequency control: II 2 G Ex b c d IIB T3 Gb
- Thermo switches in stator windings
- Cable protective sheathing (AISI 316)
- Water detector in motor and oil chamber



**Connections**

voltage [V]*	current [A]	Electrical cable size [mm2]		motor protection and/or water detector		flameproof version		
		direct start	stardelta start	direct start	stardelta start	direct start	stardelta start	
230	36.9	4G10	2x4G6	4G10 + 4G1.5	-	4G10 + 4G2.5	-	
400	21.2	4G6	7G1.5	4G6 + 4G1.5	12G1.5	4G6 + 4G2.5	12G1.5	
500	17.0	4G2.5	7G1.5	7G1.5	12G1.5	7G1.5	12G1.5	
starting current DOL start : 5.0 x rated current								
starting current YD start : 1.7x rated current								
							* other voltages on request	