

Pump type: Submersible pump  
 Application: Waste water, sewage

**Pump data**

Solids passage: 100 mm  
 Discharge/ Suction diameter: NW100 /NW125, PN10  
 Impeller type: closed screw  
 Impeller diameter: 170 – 210 mm  
 Recommended min. flow: 6 l/sec (21 m3/h)  
 Weight: 125 kg

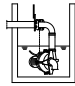
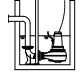
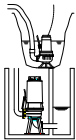
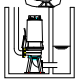
**Motor**

Mains: 50 c/s – 3 phase  
 Rated shaft power: 2.4 kW  
 Rated electrical power: 3.2 kW  
 Nominal speed: 960 rpm  
 Motor efficiency: 75 %  
 Power factor (cos phi): 0.81  
 Degree of protection: IP 68  
 Isolation class: F (155°C)  
 Max. water temperature: 40°C  
 Standard cable length: 10 m

**Materials**

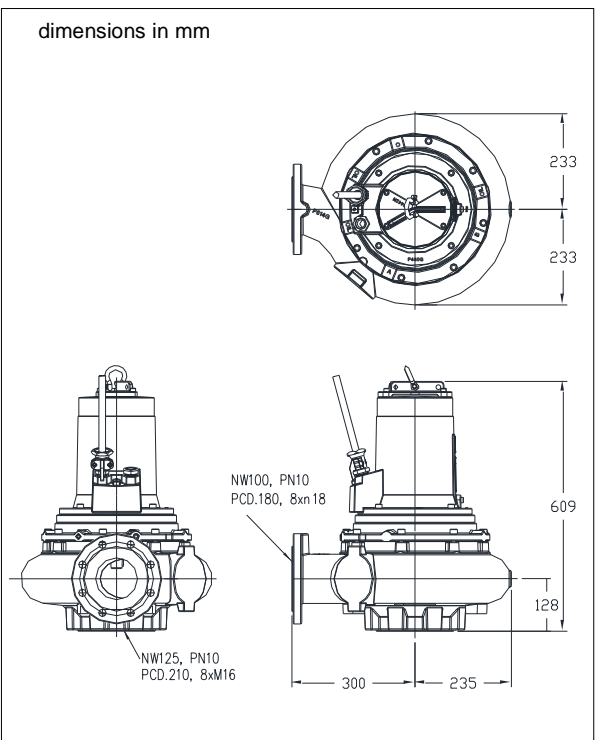
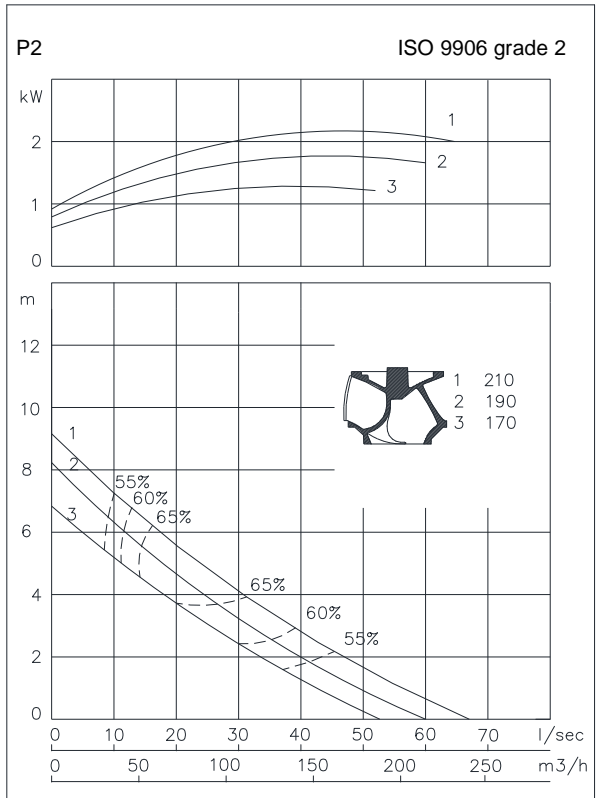
Pump casing: Cast iron GG 25 (EN-GJL-250)  
 Impeller: S.g cast iron GGG 40 (EN-GJS-400-15)  
 Motor unit: Cast iron GG 25 (EN-GJL-250)  
 Shaft: AISI 431  
 Bolts: Alt: AISI 316  
 Elastomers: AISI 316  
 Nitrile (NBR) or Neoprene (CR)  
 Alt: Viton (FPM)  
 Neoprene (CR)  
 Electrical cable: Neoprene (CR)  
 Seal lubrication: Oil  
 Seal pump side: Silicon carbide – Silicon carbide - FPM  
 Seal motor side: Carbon – Ceramic - NBR  
 Coating: Two components Polyurethane

**Installation options**

Header coupling: BWK 100   
 Guide bar coupling: OWK 100-N   
 Freestanding Including support (VRS): 100mm hose connection or G 4" threaded connection   
 Dry Installation Including cooling system (ODO): vertical or horizontal install. discharge flange NW100 suction flange NW125 

**Optional**

- Flameproof version, to class: II 2 G Ex d IIB c T4  
 Standard: II 2 G Ex b c d IIB T4 Gb  
 With Frequency control: II 2 G Ex b c d IIB T3 Gb
- Thermo switches in stator windings
- Cable protective sheathing (AISI 316)
- Water detector in motor and oil chamber



**Connections**

voltage [V]*	current [A]	Electrical cable size [mm2]		motor protection and/or water detector		flameproof version		
		direct start	stardelta start	direct start	stardelta start	direct start	stardelta start	
230	9.9	4G2.5	7G1.5	7G1.5	12G1.5	7G1.5	12G1.5	
400	5.7	4G2.5	7G1.5	7G1.5	12G1.5	7G1.5	12G1.5	
500	4.6	4G2.5	7G1.5	7G1.5	12G1.5	7G1.5	12G1.5	
starting current DOL start : 6.0 x rated current								
starting current YD start : 2.0 x rated current								
							* other voltages on request	