

Pump type: Submersible pump
 Application: Waste water, sewage

Pump data

Solids passage 110 mm
 Discharge/ Suction NW150/ NW200, PN16
 Impeller type: Closed screw impeller
 Impeller diameter 210 - 300 mm
 Recommended min. flow 13 l/sec (47 m3/h)
 Weight 335 kg

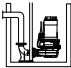

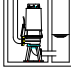
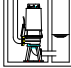
Motor

Mains: 50 Hz – 3 phase
 Rated shaft power 22.0 kW
 Rated electrical power 26.2 kW
 Nominal speed 1430 rpm
 Motor efficiency 84 %
 Power factor (cos phi) 0.82
 Degree of protection IP 68
 Isolation class F (155°C)
 Standard with thermo-switches 125°C
 Max. water temperature 40°C
 Standard cable length 10 m

Materials

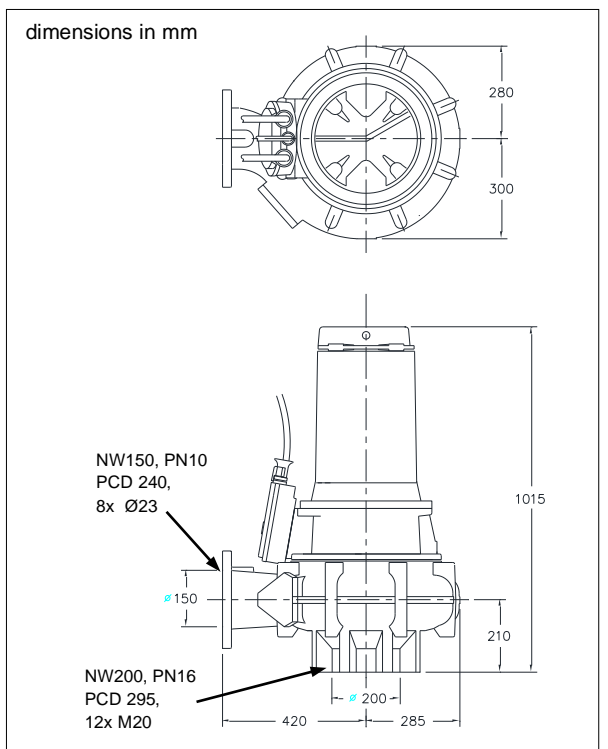
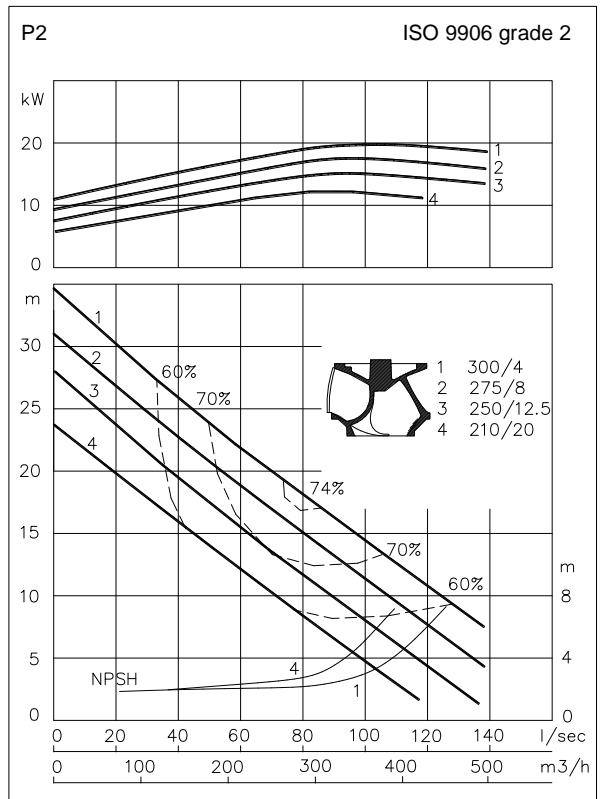
Pump casing Cast iron GG 25 (EN-GJL-250)
 Impeller S.g cast iron GGG 40 (EN-GJS-400-15)
 Motor unit Cast iron GG 25 (EN-GJL-250)
 Shaft AISI 431
 Bolts AISI 316
 Elastomers Nitrile (NBR) of Neoprene (CR)
 Alt: Viton (FPM)
 Electrical cable Neoprene (CR)
 Seal lubrication Oil
 Seal pump side Silicon carbide – Silicon carbide - FPM
 Seal motor side Carbon – Ceramic - FPM
 Coating Two components Polyurethane

Installation options

Guide bar coupling OWK 150-N 
 Freestanding 150 mm hose connection 
 Including support (VRS) 
 Dry Installation vertical or horizontal install.
 Including cooling system discharge NW150, PN10
 (ODO) suction NW200, PN16 

Optional

- Flameproof version, to class: II 2 G Ex d IIB c T4
 Standard: II 2 G Ex b c d IIB T4 Gb
 With Frequency control: II 2 G Ex b c d IIB T3 Gb
- Version with cooling system
- Water detector in motor and oil chamber



Connections

voltage [V]*	current [A]	Electrical cable size [mm2]			
		motor protection and/or water detector		flameproof version	
		direct start	star-delta start	direct start	star-delta start
230	80.2	-	2x4G10 + 4G2.5	-	2x4G10 + 4G2.5
400	46.1	1x4G10 + 4G2.5	2x4G6 + 4G2.5	1x4G10 + 4G2.5	2x4G6 + 4G2.5
500	36.9	1x4G10 + 4G2.5	2x4G6 + 4G2.5	1x4G10 + 4G2.5	2x4G6 + 4G2.5
starting current DOL start : 5.7 x rated current					
starting current YD start : 1.9 x rated current					
					* other voltages on request