

Pump type: Submersible pump
 Application: Waste water, sewage

Pump data

Solids passage: 125 mm
 Discharge/ Suction: NW200/ NW200, PN16
 Impeller type: Closed screw impeller
 Impeller diameter: 260 - 305 mm
 Recommended min. flow: 23 l/sec (84 m3/h)
 Weight: 400 kg

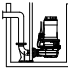

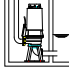
Motor

Mains: 50 Hz – 3 phase
 Rated shaft power: 34.0 kW
 Rated electrical power: 39.5 kW
 Nominal speed: 1440 rpm
 Motor efficiency: 86 %
 Power factor (cos phi): 0.86
 Degree of protection: IP 68
 Isolation class: F (155°C)
 Standard with thermo-switches: 125°C
 Max. water temperature: 40°C
 Standard cable length: 10 m

Materials

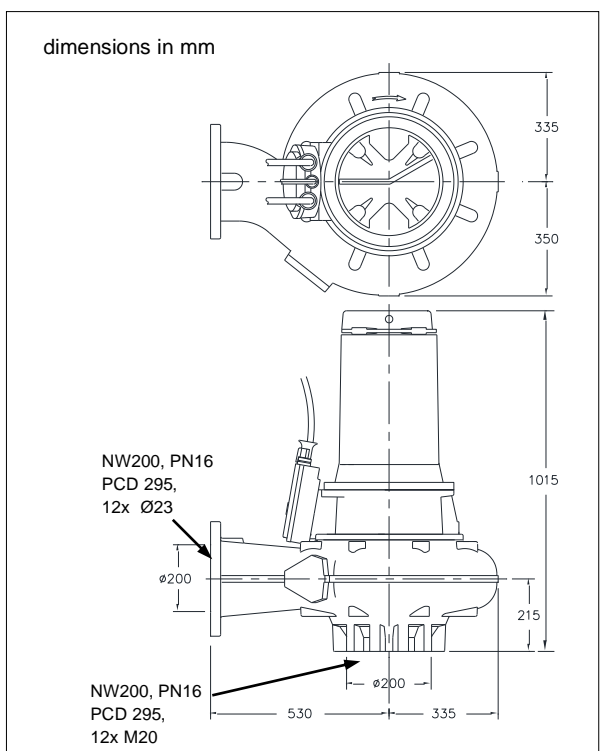
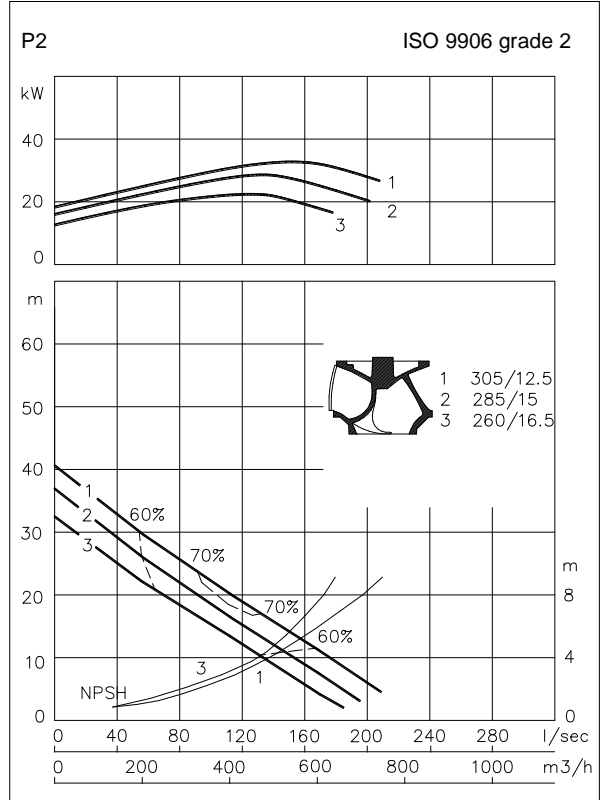
Pump casing: Cast iron GG 25 (EN-GJL-250)
 Impeller: S.g cast iron GGG 40 (EN-GJS-400-15)
 Motor unit: Cast iron GG 25 (EN-GJL-250)
 Shaft: AISI 431
 Bolts: AISI 316
 Elastomers: Nitrile (NBR) of Neoprene (CR)
 Alt: Viton (FPM)
 Electrical cable: Neoprene (CR)
 Seal lubrication: Oil
 Seal pump side: Silicon carbide – Silicon carbide - FPM
 Seal motor side: Carbon – Ceramic - FPM
 Coating: Two components Polyurethane

Installation options

Guide bar coupling: OWK 200-N 
 Freestanding Including support (VRS): 200 mm hose connection 
 Dry Installation Including cooling system (ODO): vertical or horizontal install. discharge NW200, PN16 suction NW200, PN16 

Optional

- Flameproof version, to class: II 2 G Ex d IIB c T4
 Standard: II 2 G Ex b c d IIB T4 Gb
 With Frequency control: II 2 G Ex b c d IIB T3 Gb
- Version with cooling system
- Water detector in motor and oil chamber
- Duplex impeller 1.4460



Connections

voltage [V]*	current [A]	Electrical cable size [mm2]			
		motor protection and/or water detector		flameproof version	
		direct start	star-delta start	direct start	star-delta start
230	115.5	-	2x4G16 + 4G2.5	-	2x4G16 + 4G2.5
400	66.4	1x4G16 + 4G2.5	2x4G10 + 4G2.5	1x4G16 + 4G2.5	2x4G10 + 4G2.5
500	53.1	1x4G16 + 4G2.5	2x4G6 + 4G2.5	1x4G16 + 4G2.5	2x4G6 + 4G2.5
starting current DOL start : 4.5 x rated current					
starting current YD start : 1.5 x rated current					
					* other voltages on request