

Pump type: Submersible pump  
 Application: Waste water, sewage

**Pump data**

Solids passage: 110 mm  
 Discharge/ Suction: NW150 / NW200, PN16  
 Impeller type: Closed screw impeller  
 Impeller diameter: 210 - 300 mm  
 Recommended min. flow: 13 l/sec (47 m3/h)  
 Weight: 330 kg

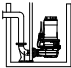

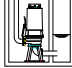
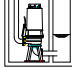
**Motor**

Mains: 50 Hz – 3 phase  
 Rated shaft power: 9.0 kW  
 Rated electrical power: 10.7 kW  
 Nominal speed: 960 rpm  
 Motor efficiency: 84 %  
 Power factor (cos phi): 0.87  
 Degree of protection: IP 68  
 Isolation class: F (155°C)  
 Standard with thermo-switches: 125°C  
 Max. water temperature: 40°C  
 Standard cable length: 10 m

**Materials**

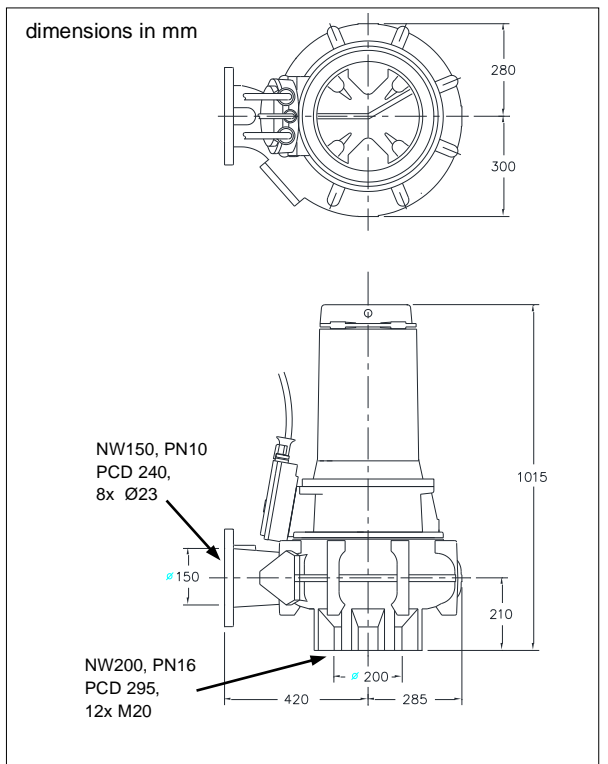
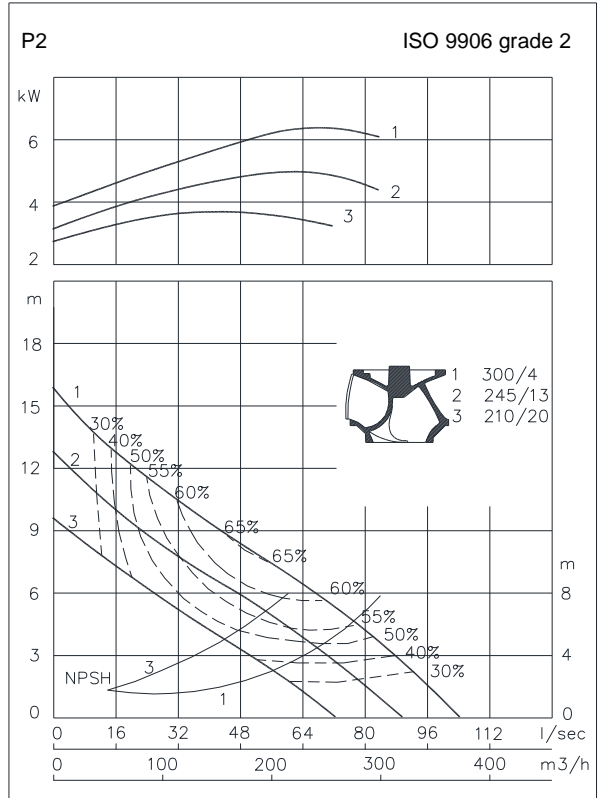
Pump casing: Cast iron GG 25 (EN-GJL-250)  
 Impeller: S.g cast iron GGG 40 (EN-GJS-400-15)  
 Motor unit: Cast iron GG 25 (EN-GJL-250)  
 Shaft: AISI 431  
 Bolts: AISI 316  
 Elastomers: Nitrile (NBR) of Neoprene (CR)  
 Alt: Viton (FPM)  
 Electrical cable: Neoprene (CR)  
 Seal lubrication: Oil  
 Seal pump side: Silicon carbide – Silicon carbide - FPM  
 Seal motor side: Carbon – Ceramic - FPM  
 Coating: Two components Polyurethane

**Installation options**

Guide bar coupling: OWK 150-N   
 Freestanding: 150 mm hose connection   
 Including support (VRS)   
 Dry Installation: vertical or horizontal install.  
 Including cooling system: discharge NW150, PN10  
 (ODO): suction NW200, PN16 

**Optional**

- Flameproof version, to class: II 2 G Ex d IIB c T4  
 Standard: II 2 G Ex b c d IIB T4 Gb  
 With Frequency control: II 2 G Ex b c d IIB T3 Gb
- Version with cooling system
- Water detector in motor and oil chamber



**Connections**

voltage [V]*	current [A]	Electrical cable size [mm2]			
		motor protection and/or water detector		flameproof version	
		direct start	star-delta start	direct start	star-delta start
230	31.0	1x4G6 + 4G2.5	1x7G2.5 + 4G2.5	1x4G6 + 4G2.5	1x7G2.5 + 4G2.5
400	17.8	1x7G2.5	1x7G2.5 + 4G2.5	1x7G2.5	1x7G2.5 + 4G2.5
500	14.2	1x7G2.5	1x7G2.5 + 4G2.5	1x7G2.5	1x7G2.5 + 4G2.5
starting current DOL start : 5.1 x rated current					
starting current YD start : 1.7 x rated current					
					* other voltages on request