

Pump type: Submersible vortex pump
 Application: Waste water, sewage

Pump data

Solids passage: 50mm
 Discharge/ Suction diameter: 50mm/ 50 mm
 Impeller type: Vortex
 Impeller diameter: 110 - 80 mm
 Recommended min. flow: 1.5 l/sec (5 m3/h)
 Weight: 44 kg

Motor

Mains: 50 c/s – 3 phase
 Rated shaft power: 1.5 kW
 Rated electrical power: 2.1 kW
 Nominal speed: 2790 rpm
 Motor efficiency: 71 %
 Power factor (cos phi): 0.91
 Degree of protection: IP 68
 Isolation class: F (155°C)
 Max. water temperature: 40°C
 Standard cable length: 10 m

Materials

Pump casing: Cast iron GG 25 (EN-GJL-250)
 Impeller: Cast iron GG 25 (EN-GJL-250)
 Motor unit: Cast iron GG 25 (EN-GJL-250)
 Shaft: AISI 431
 Bolts: Alt: AISI 316
 Elastomers: AISI 316
 Nitrile (NBR) or neoprene (CR)
 Electrical cable: Neoprene (CR)
 Seal lubrication: Oil
 Seal pump side: Silicon carbide – silicon carbide
 Seal motor side: Carbon - Ceramic
 Coating: Two components polyurethane

Installation options

Header coupling: BWK 065 of BWK 080



Guide bar coupling: OWK 050

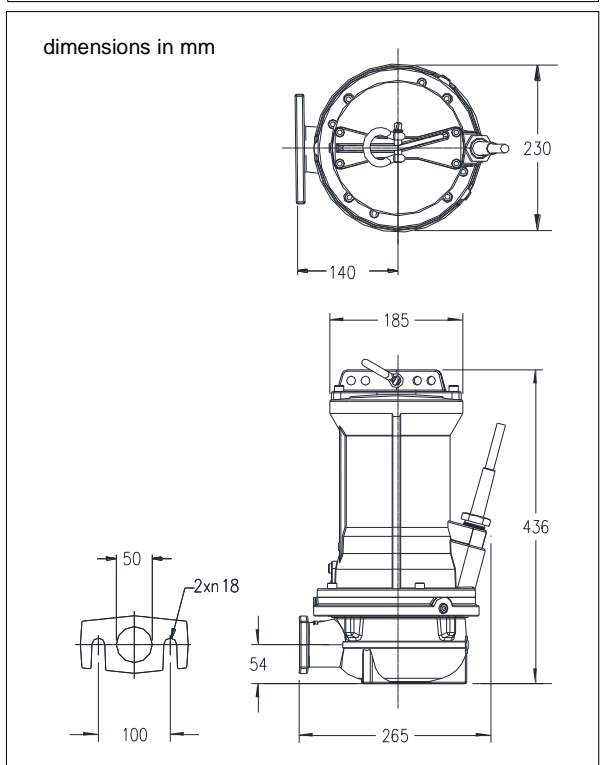
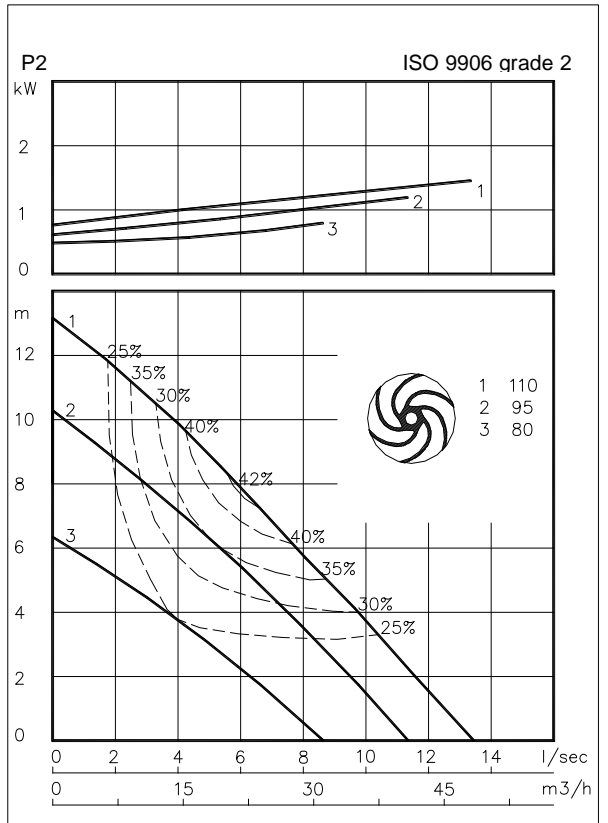


Freestanding including support: 50 mm or 75 mm hose connection or G 2" threaded connection



Optional

- Flameproof version, to class: II 2 G Ex d IIB c T4
 Standard: II 2 G Ex b c d IIB T4 Gb
 With Frequency control: II 2 G Ex b c d IIB T3 Gb
- Thermo switches in stator windings (standard for flame proof version)
- Cable protective sheathing (AISI 316)
- Water detector in motor and oil chamber
 Flameproof version with external cable



Connections

voltage	current	Electrical cable size [mm2]		motor protection and/or water detector	flameproof version
		direct start			
[V]*	[A]	direct start		direct start	direct start
230	5.8	4G1.5		7G1.5	7G1.5
400	3.3	4G1.5		7G1.5	7G1.5
500	2.7	4G1.5		7G1.5	7G1.5
starting current DOL start : 4.8 x rated current					
					* other voltages on request