

Pump type: Submersible vortex pump  
 Application: Waste water, sewage

**Pump data**

Solids passage 50 mm  
 Discharge/ Suction diameter 50 mm/ 50 mm  
 Impeller type: Vortex  
 Impeller diameter 125 - 95 mm  
 Recommended min. flow 1.5 l/sec (5 m3/h)  
 Weight 45 kg

**Motor**

Mains: 50 c/s – 3 phase  
 Rated shaft power 2.2 kW  
 Rated electrical power 2.8 kW  
 Nominal speed 2830 rpm  
 Motor efficiency 79 %  
 Power factor (cos phi) 0.89  
 Degree of protection IP 68  
 Isolation class F (155°C)  
 Max. water temperature 40°C  
 Standard cable length 10 m

**Materials**

Pump casing Cast iron GG 25 (EN-GJL-250)  
 Impeller Cast iron GG 25 (EN-GJL-250)  
 Motor unit Cast iron GG 25 (EN-GJL-250)  
 Shaft AISI 431  
 Bolts Alt: AISI 316  
 AISI 316  
 Elastomers Nitrile (NBR) or neoprene (CR)  
 Alt: viton (FPM)  
 Electrical cable Neoprene (CR)  
 Seal lubrication Oil  
 Seal pump side Silicon carbide – silicon carbide  
 Seal motor side Carbon - Ceramic  
 Coating Two components polyurethane

**Installation options**

Header coupling BWK 065 of BWK 080



Guide bar coupling OWK 050

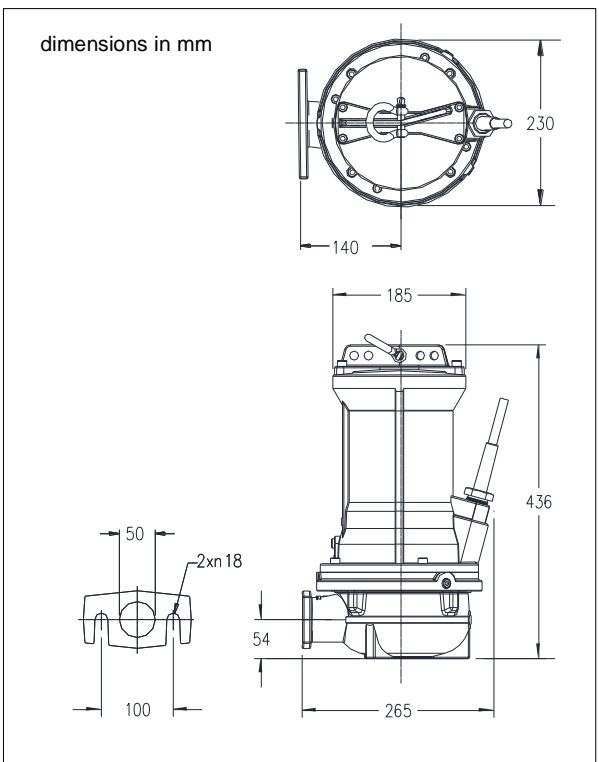
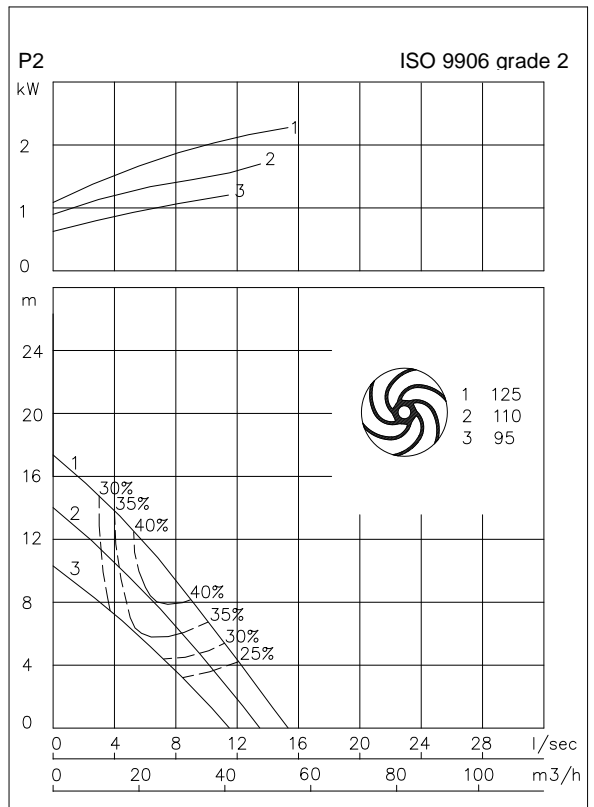


Freestanding including support (VRS) 50 mm or 75 mm hose connection or G 2" threaded connection



**Optional**

- Flameproof version, to class: II 2 G Ex d IIB c T4  
 Standard: II 2 G Ex b c d IIB T4 Gb  
 With Frequency control: II 2 G Ex b c d IIB T3 Gb
- Thermo switches in stator windings (standard for flame proof version)
- Cable protective sheathing (AISI 316)
- Water detector in motor and oil chamber  
 Flameproof version with external cable



**Connections**

voltage [V]*	current [A]	Electrical cable size [mm2]		motor protection and/or water detector		flameproof version		
		direct start		direct start		direct start		
230	7.9	4G1.5		7G1.5		7G1.5		
400	4.5	4G1.5		7G1.5		7G1.5		
500	3.6	4G1.5		7G1.5		7G1.5		
starting current DOL start : 5.3 x rated current								
							* other voltages on request	