

Pump type: Submersible vortex pump
 Application: Waste water, sewage

Pump data

Solids passage: 50 mm
 Discharge/ Suction diameter: 50 mm/ 50 mm
 Impeller type: Vortex
 Impeller diameter: 150 - 125 mm
 Recommended min. flow: 1.5 l/sec (5 m3/h)
 Weight: 48 kg

Motor

Mains: 50 c/s – 3 phase
 Rated shaft power: 4.0 kW
 Rated electrical power: 5.0 kW
 Nominal speed: 2840 rpm
 Motor efficiency: 80 %
 Power factor (cos phi): 0.85
 Degree of protection: IP 68
 Isolation class: F (155°C)
 Max. water temperature: 40°C
 Standard cable length: 10 m

Materials

Pump casing: Cast iron GG 25 (EN-GJL-250)
 Impeller: Cast iron GG 25 (EN-GJL-250)
 Motor unit: Cast iron GG 25 (EN-GJL-250)
 Shaft: AISI 431
 Alt: AISI 316
 Bolts: AISI 316
 Elastomers: Nitrile (NBR) or neoprene (CR)
 Alt: viton (FPM)
 Electrical cable: Neoprene (CR)
 Seal lubrication: Oil
 Seal pump side: Silicon carbide – silicon carbide
 Seal motor side: Carbon - Ceramic
 Coating: Two components polyurethane

Installation options

Header coupling: BWK 065 of BWK 080



Guide bar coupling: OWK 050

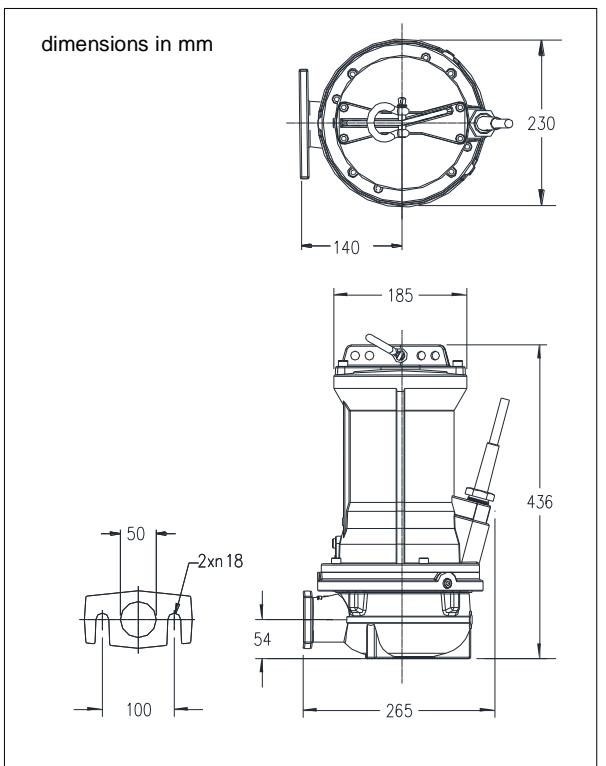
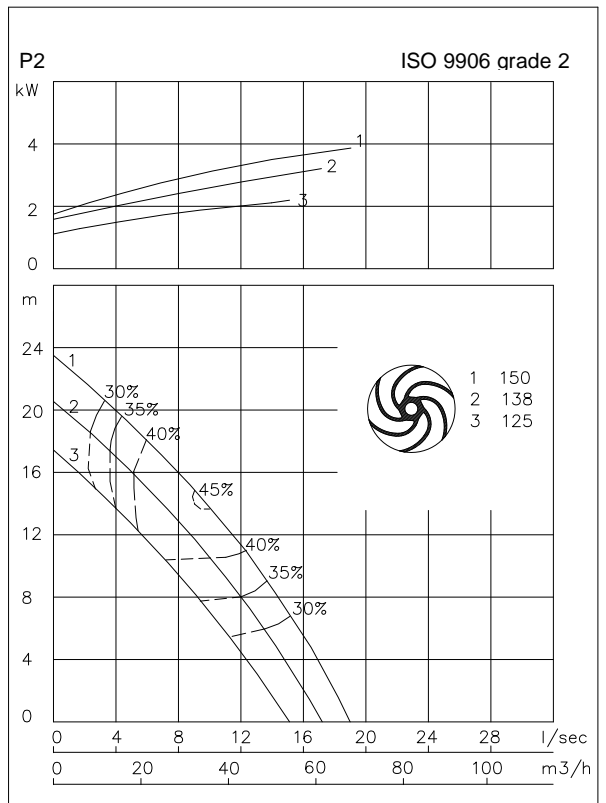


Freestanding including support (VRS): 50 mm or 75 mm hose connection or G 2" threaded connection



Optional

- Flameproof version, to class: II 2 G Ex d IIB c T4
 Standard: II 2 G Ex b c d IIB T4 Gb
 With Frequency control: II 2 G Ex b c d IIB T3 Gb
- Thermo switches in stator windings (standard for flame proof version)
- Cable protective sheathing (AISI 316)
- Water detector in motor and oil chamber
 Flameproof version with external cable



Connections

voltage [V]*	current [A]	Electrical cable size [mm ²]		motor protection and/or water detector		flameproof version		
		direct start	stardelta start	direct start	stardelta start	direct start	stardelta start	
230	14.8	4G1.5	7G1.5	7G1.5	12G1.5	7G1.5	12G1.5	
400	8.5	4G1.5	7G1.5	7G1.5	12G1.5	7G1.5	12G1.5	
500	6.8	4G1.5	7G1.5	7G1.5	12G1.5	7G1.5	12G1.5	
starting current DOL start : 6.2 x rated current								
starting current YD start : 2.1 x rated current								
							* other voltages on request	