

Pump type: Submersible vortex pump  
 Application: Waste water, sewage

**Pump data**

Solids passage 50 mm  
 Discharge/ Suction diameter 65 mm/ 65 mm  
 Impeller type: Vortex  
 Impeller diameter 160 - 130 mm  
 Recommended min. flow 2 l/sec (8 m3/h)  
 Weight 45 kg

**Motor**

Mains: 50 c/s – 3 phase  
 Rated shaft power 2.2 kW  
 Rated electrical power 3.0 kW  
 Nominal speed 1375 rpm  
 Motor efficiency 71 %  
 Power factor (cos phi) 0.89  
 Degree of protection IP 68  
 Isolation class F (155°C)  
 Max. water temperature 40°C  
 Standard cable length 10 m

**Materials**

Pump casing Cast iron GG 25 (EN-GJL-250)  
 Impeller S.g cast iron GGG 40 (EN-GJS-400-15)  
 Motor unit Cast iron GG 25 (EN-GJL-250)  
 Shaft AISI 431  
 Bolts Alt: AISI 316  
 AISI 316  
 Elastomers Nitrile (NBR) or neoprene (CR)  
 Alt: viton (FPM)  
 Electrical cable Neoprene (CR)  
 Seal lubrication Oil  
 Seal pump side Silicon carbide – silicon carbide  
 Seal motor side Carbon - Ceramic  
 Coating Two components polyurethane

**Installation options**

Header coupling BWK 065 or 080



Guide bar coupling OWK 065 or 080

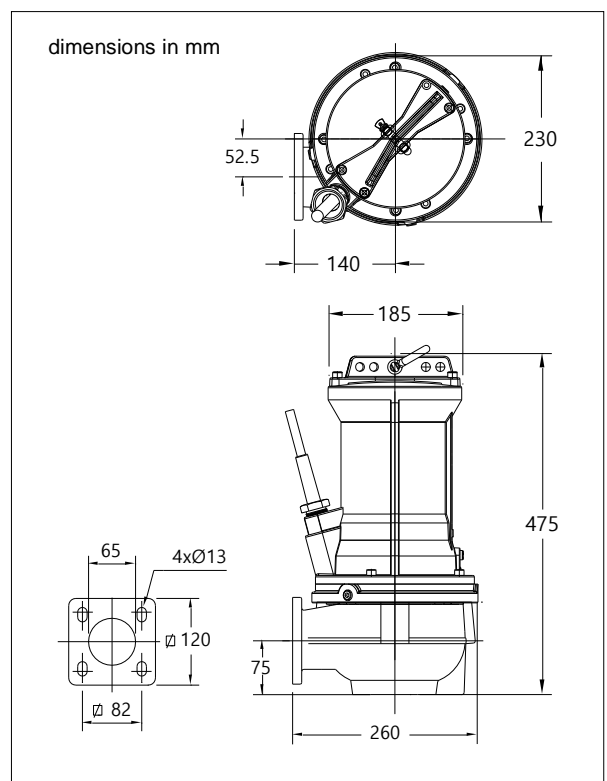
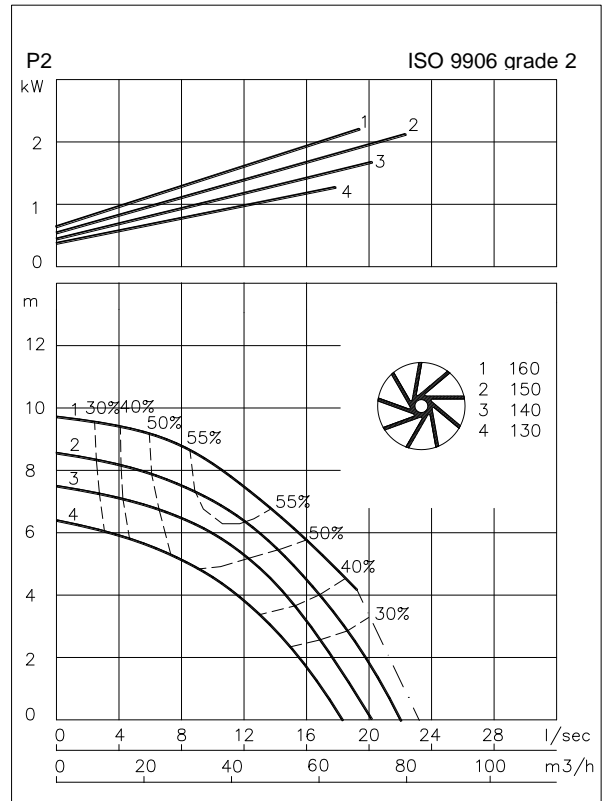


Freestanding Including support (VRS) 75 mm hose connection or G 3" threaded connection



**Optional**

- Flameproof version, to class: II 2 G Ex d IIB c T4  
 Standard: II 2 G Ex b c d IIB T4 Gb  
 With Frequency control: II 2 G Ex b c d IIB T3 Gb
- Thermo switches in stator windings (standard for flame proof version)
- Cable protective sheathing (AISI 316)
- Water detector in motor and oil chamber  
 Flameproof version with external cable



**Connections**

voltage	current	Electrical cable size [mm <sup>2</sup> ]		motor protection and/or water detector		flameproof version	
		direct start	stardelta start	direct start	stardelta start	direct start	stardelta start
[V]*	[A]						
230	8.7	4G1.5	7G1.5	7G1.5	12G1.5	7G1.5	12G1.5
400	5.0	4G1.5	7G1.5	7G1.5	12G1.5	7G1.5	12G1.5
500	4.0	4G1.5	7G1.5	7G1.5	12G1.5	7G1.5	12G1.5
starting current DOL start : 3.4 x rated current							
starting current YD start : 1.1 x rated current							
							* other voltages on request