

Pump type: Submersible vortex pump
 Application: Waste water, sewage

Pump data

Solids passage: 65 mm
 Discharge/ Suction diameter: 65 mm/ 65 mm
 Impeller type: Vortex
 Impeller diameter: 125 - 95 mm
 Recommended min. flow: 2 l/sec (8 m3/h)
 Weight: 45 kg

Motor

Mains: 50 c/s – 3 phase
 Rated shaft power: 2.2 kW
 Rated electrical power: 2.8 kW
 Nominal speed: 2830 rpm
 Motor efficiency: 79 %
 Power factor (cos phi): 0.89
 Degree of protection: IP 68
 Isolation class: F (155°C)
 Max. water temperature: 40°C
 Standard cable length: 10 m

Materials

Pump casing: Cast iron GG 25 (EN-GJL-250)
 Impeller: Cast iron GG 25 (EN-GJL-250)
 Motor unit: Cast iron GG 25 (EN-GJL-250)
 Shaft: AISI 431
 Bolts: Alt: AISI 316
 Elastomers: AISI 316
 Nitrile (NBR) or neoprene (CR)
 Electrical cable: Neoprene (CR)
 Seal lubrication: Oil
 Seal pump side: Silicon carbide – silicon carbide
 Seal motor side: Carbon - Ceramic
 Coating: Two components polyurethane

Installation options

Header coupling: BWK 065 or 080



Guide bar coupling: OWK 065 or 080

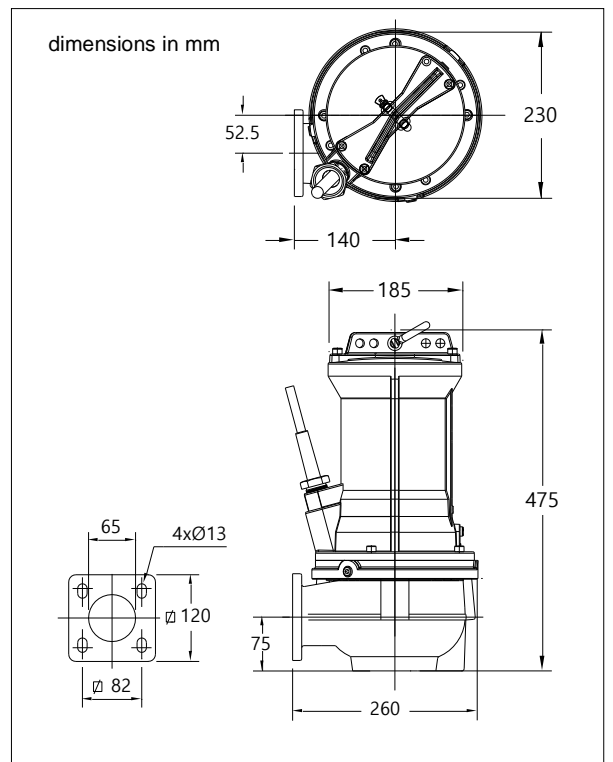
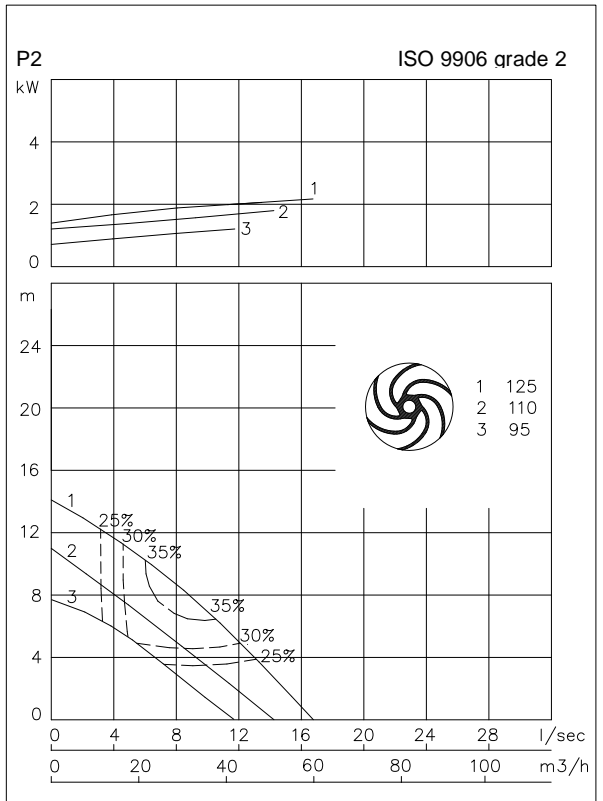


Freestanding Including support (VRS): 75 mm hose connection or G 3" threaded connection



Optional

- Flameproof version, to class: II 2 G Ex d IIB c T4
 Standard: II 2 G Ex b c d IIB T4 Gb
 With Frequency control: II 2 G Ex b c d IIB T3 Gb
- Thermo switches in stator windings (standard for flame proof version)
- Cable protective sheathing (AISI 316)
- Water detector in motor and oil chamber
 Flameproof version with external cable



Connections

voltage	current	Electrical cable size [mm ²]		motor protection and/or water detector	flameproof version		
		direct start			direct start		
230	7.9	4G1.5		7G1.5		7G1.5	
400	4.5	4G1.5		7G1.5		7G1.5	
500	3.6	4G1.5		7G1.5		7G1.5	
starting current DOL start : 5.3 x rated current							
						* other voltages on request	