

Pump type: Submersible vortex pump  
 Application: Waste water, sewage

**Pump data**

Solids passage: 80 mm  
 Discharge/ Suction diameter: 100 mm/ 100 mm  
 Impeller type: Vortex  
 Impeller diameter: 215 - 190 mm  
 Recommended min. flow: 6 l/sec (21 m3/h)  
 Weight: 105 kg

**Motor**

Mains: 50 c/s – 3 phase  
 Rated shaft power: 5.0 kW  
 Rated electrical power: 6.3 kW  
 Nominal speed: 1420 rpm  
 Motor efficiency: 79 %  
 Power factor (cos phi): 0.82  
 Degree of protection: IP 68  
 Isolation class: F (155°C)  
 Max. water temperature: 40°C  
 Standard cable length: 10 m

**Materials**

Pump casing: Cast iron GG 25 (EN-GJL-250)  
 Impeller: S.g cast iron GGG 40 (EN-GJS-400-15)  
 Motor unit: Cast iron GG 25 (EN-GJL-250)  
 Shaft: AISI 431  
 Bolt: Alt: AISI 316  
 Elastomers: AISI 316  
 Nitrile (NBR) or neoprene (CR)  
 Alt: viton (FPM)  
 Electrical cable: Neoprene (CR)  
 Seal lubrication: Oil  
 Seal pump side: Silicon carbide – silicon carbide  
 Seal motor side: Carbon - Ceramic  
 Coating: Two components polyurethane

**Installation options**

Header coupling: BWK 100



Guide bar coupling: OWK 100

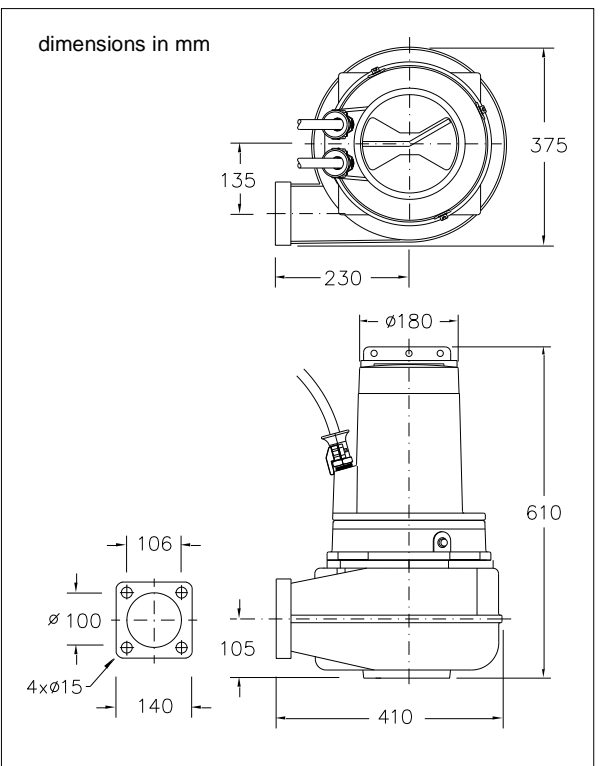
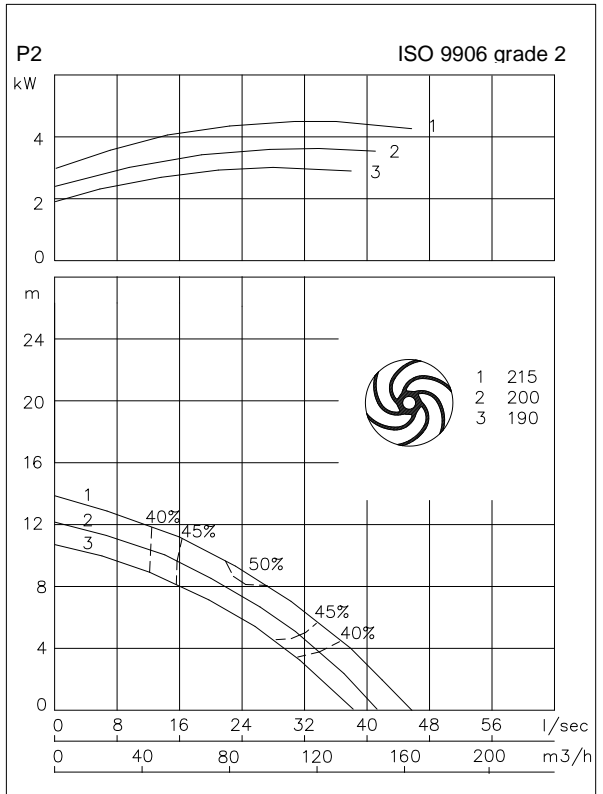


Freestanding including support (VRS): 100mm hose connection or G 4" threaded connection



**Optional**

- Flameproof version, to class: II 2 G Ex d IIB c T4  
 Standard: II 2 G Ex b c d IIB T4 Gb  
 With Frequency control: II 2 G Ex b c d IIB T3 Gb
- Thermo switches in stator windings (standard for flame proof version)
- Cable protective sheathing (AISI 316)
- Water detector in motor and oil chamber  
 Flameproof version with external cable



**Connections**

voltage [V]*	current [A]	Electrical cable size [mm2]		motor protection and/or water detector		flameproof version		
		direct start	stardelta start	direct start	stardelta start	direct start	stardelta start	
230	19.5	4G2.5	7G1.5	7G2.5	12G1.5	7G2.5	12G1.5	
400	11.2	4G2.5	7G1.5	7G1.5	12G1.5	7G1.5	12G1.5	
500	9.0	4G2.5	7G1.5	7G1.5	12G1.5	7G1.5	12G1.5	
starting current DOL start : 5.0 x rated current								
starting current YD start : 1.7 x rated current								
							* other voltages on request	